

COP29 and G20 2024. The conspiracy of the powerful against sustainable development.

The mountains of politics, science and economics have given birth to inefficient mice against global warming, while the SPAWHE system, which could save the climate, politics, science and economics was conceived by an ordinary pensioner without public and private money.

Summary

This year, by pure coincidence, COP29 and the G20 were held simultaneously, the first from November 11 to 22 and the second from November 18 to 19. For me, neither event has put its finger on the sore point that created global warming. The subtitle of this article summarizes what in my opinion is the real cause, having lived on the front lines of industrial and environmental experiences both as a designer and installer of anthropic systems and as an inventor for a total of 55 years. In fact, scientific and technological progress alone is not enough to save the planet. Equally important is the study of the scientific organization of work, both at an industrial and environmental level, which deal with two different aspects of scientific and technological progress: The industrial one deals with increasing the speed of productivity of scientific inventions. The environmental one deals with the verification that industrial productions close within the scope of fixed and mobile anthropic plants, all the thermal, chemical, biological cycles that open, so that the terrestrial environment remains unaltered at the end of the industrialized processes at all levels of human activities, including agricultural, urban activities, land, marine, aeronautical,

submarine and space transport. Therefore, the study of the scientific organization of work is equally important as scientific progress, because it automatically leads to selecting which scientific solutions to adopt on planet Earth and which ones to discard. No one on planet Earth has wanted to make this selection seriously so as not to slow down the growth and distribution of global wealth. But today it is necessary to do so because the current system has created a growth that has created global warming and the unequal distribution of world wealth from which arise, not only the climate problems we are experiencing, but also those due to migrations from countries that cannot survive autonomously and those that try to expand, occupying other countries to have more (wrong) energy sources and commercial outlets on ports for the transport of goods that are largely obsolete from a scientific and technological point of view, precisely because they are produced with an obsolete development model. The SPAWHE System that the undersigned has begun to develop since 2006 has changed both the way of producing world energy, and the way of distributing world water, and the way of producing world wealth, and the way of carrying out world transport. As everything would be connected in a single interactive system that would extract clean, cold energy directly from the earth's environment, when needed, without producing any type of pollution, eliminating the costs of fuels and nuclear reactors. Solar panels and wind energy are not even needed.

After two weeks of negotiations, the Cop29 in Baku passes the agreement on increasing climate aid to developing countries. From the current 100 billion dollars per year, provided for by the Paris Agreement (2015), it will gradually reach 300 billion per year in 2035.

Who has received the money from the Paris Agreement if nothing has changed and who will receive the new money allocated?

By pure chance, 2014 was the year in which I invented submerged hydroelectricity and 2015 compressed

hydroelectricity without hydraulic jump for fixed and mobile applications, which in the following years led to a virtual revolution of the entire world development. Which has remained in a virtual state, without receiving even a single euro of public and private funding, despite having created the website <https://www.spawhe.eu> in 2014 and published all the previous inventions, which virtually had already cleaned up fossil energy, created with artificial rain in covered underground environments (limestone greenhouses), after modifying the chimneys, modifying the sewers, with the insertion of sewer sedimentation tanks equipped with surface oxidation of the water and the capture with aspirators of urban CO₂ that stratifies in the lower areas of the atmosphere being 1.5 times heavier than air. It was this complex industrial and urban purification system that requires large flows of water and polluted atmospheric air that led me to invent submerged and compressed hydroelectric energy to economize the processes. Since the lifting and circulation of water would have involved very high costs. The inventions on fossil cleaning did not last a day. They kept me busy from 2006 to 2014. If I had not found myself faced with the high energy costs that the circulation of water with current systems involves, I would never have been stimulated to invent submerged and compressed hydroelectric energy. Therefore, the correct system of cleaning of terrestrial fossil energy is preparatory to the correct system of cold extraction of energy from the terrestrial environment.

The question we must ask ourselves is the following? How could the world's public bodies conceive the hydroelectric system without the hydraulic jump if they did not understand, create and finance a purification system of fossil energy with limestone greenhouses buried near the large thermal plants of steel mills such as the Ilva in Taranto and incinerators? How could they transfer these fundamental inventions of the scientific organization of industrial work not yet realized on planet Earth, which I conceived first from the industrial

point of view, then environmental and urban with different criteria, which led to the only possible inventions, which require the extraction of energy through the recycling of water without the hydraulic jump, which automatically also involves the purification processes due to the solubility of air in water directly proportional to the operating pressure of the air on the water due to the principles of Henry and Dalton. But that, indirectly, also involves electromagnetic forces because terrestrial electromagnetism, unlike that of the universe, can only be achieved coldly. Therefore, it is convenient to also produce electrical energy coldly to save on cooling systems. But considering that fuels have a significant economic cost and produce pollution. We cannot forgive the ruling classes that have governed the planet since the beginning of the industrial era for having chosen fossil fuels as the primary source of world energy. We cannot even forgive the choice of nuclear energy which also has significant costs and produces heat and steam, apart from nuclear risks. We cannot forgive producing energy with solar panels which are bulky, have higher costs and produce, although in smaller quantities, heat and steam which is unwanted to the terrestrial environment. We cannot forgive producing wind energy which is equally cumbersome and discontinuous and involves transporting the electrical energy produced on aerial pylons that interfere with the ion exchange between the earth's surface and the ionosphere, which before the industrial era perfectly thermoregulated the earth's climate. Therefore, my system, which extracts cold water from the earth's water and air in fixed and mobile plants, without using the hydraulic jump, which allows both the recycling of water and atmospheric air is undoubtedly the best energy system in the world and will almost certainly be able to take us into space in a simple and elementary way, after the same system will allow us to extend human life by means of the artificial heart oxygenator of the blood that works with the same system.

Today on planet Earth there are not reliable points of reference from a scientific, moral, political and economic point of view, apart from religions, which do not deal with science and technology, and contribute to public spending with state contributions to take away resources from the few inventors not linked to the world centers of power. Who, in addition to not being paid by anyone, are forced to pay patent filing and maintenance fees, from which they should be exempted, if they propose solutions of public social utility. The isolation in which an inventor not linked to the public and private economic centers of power finds himself is incredible. This is demonstrated by the fact that none of my over forty inventions that replace the SPAWHE system has been financed. Not even the twenty-seven that have been granted the Italian patent and the six that have received the title of international patent.

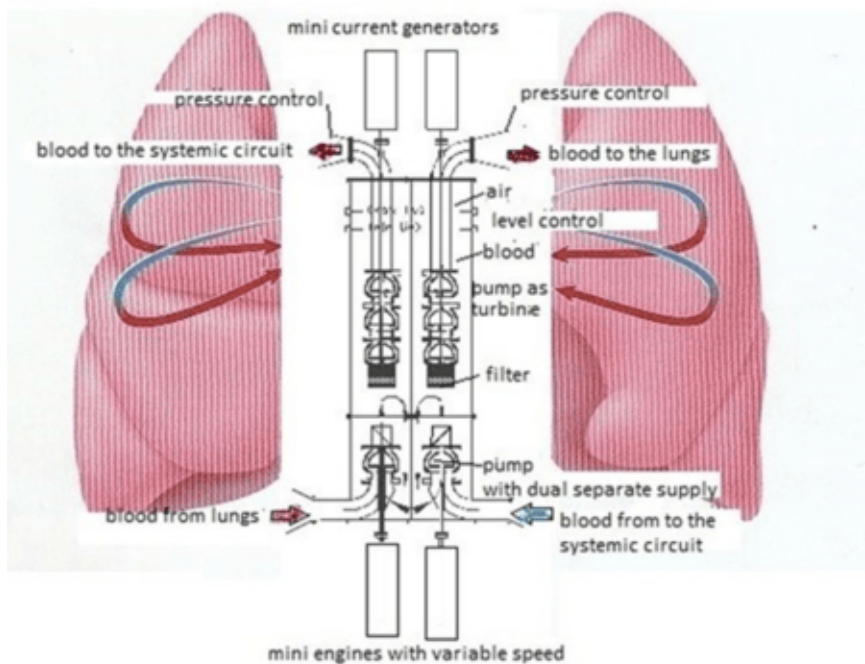
I believe that only through the scientific organization of work applied globally and impartially is it possible to invent sustainable solutions from a scientific and economic point of view. But the update must be done in all sectors, without neglecting any. It is no coincidence that the SPAWHE system is based above all on hydroelectric energy exploited without the hydraulic jump, which could have been invented at least a hundred years earlier and would have changed the scientific, technological and economic world, because it would have allowed us to draw on an infinite, fixed and mobile energy source, at all hours of the day and night at any latitude and longitude of the planet regardless of climatic conditions. Almost ten years after this invention, the entire ruling class, including the scientific one, ignores it, even though the undersigned, isolated as if plague-stricken, has continued to work on it alone, applying it in all sectors, even in the health, aeronautical and space sectors, without a single euro of public and private funding. While governments and multinationals, by mutual agreement, try to defend their wrong investments by hiding the inventions of a simple pensioner.

Who with the limited economic means he had and has at his disposal, could do nothing but propose simple and elementary inventions, suggested by nature itself, which do not emit gases and vapors that are useless for energy purposes. The temperature of the existing environment is sufficient to produce all the energy we need, varying only the speeds and pressures to increase food and technological production according to the needs of the world's population. But everything must be done in the right way, in the right place, closing in the anthropic plants, fixed and mobile, all the cycles that open. This elementary reasoning is not done by any public plant in the world and by any multinational in the world because they are all specialized in specific sectors. Only the SPAWHE system would do it, which the undersigned conceived in a lifetime of work in industry, in the environment and with thoughts from a pensioner, because the right hand of science and technology does not know what the left hand is doing, if they are not synchronized by an impartial brain, not tied to the temporal power of men, but to that of God who created the Earth as a particular oasis in a universe, which is not hospitable for the delicate lives of men, animals, terrestrial vegetation. Let us think of the beauty of flowers, of butterflies to which men give no value. While they value a banana taped to a wall as a work of art, 6.2 million dollars. True beauty has lost all value. This is why governments and multinationals are careful not to finance the SPAWHE system. This is why economic wars exist, with weapons of all types and sizes. Those who have more weapons are also richer and do not give any value to the lives of others. They do not want peace, but the unequal distribution of world wealth. To produce more weapons, they neglect inventions that would have extracted clean energy directly from the environment for free, both at the poles and at the equator, day and night, in all seasons, because energy does not need to be transported on high-voltage pylons. It is sufficient to keep in the energy plant, the water in the liquid state and the air in the gaseous state that act

respectively as an energy carrier and energy source. The latter at the pressure chosen for each individual application. The technology that we have already developed is sufficient to create an alternative development model to the current one, which could also extend human life with the invention of the artificial heart oxygenator of human blood. The SPAWHE.S.P.A. that the undersigned would like to create before dying, would be, above all, a company for testing the approximately forty patents of the undersigned filed in eighteen years and not financed by anyone, although they have always had the potential to protect the environment from global warming and achieve truly sustainable development. My inventions, although not created by anyone, are at the forefront in all sectors of human activity. In China they are experimenting to create artificial brains <https://www.inran.it/2024/11/26/cervelli-umani-in-laboratorio-ecco-a-che-cosa-serviranno/> using electronics, biology, medicine at the same time. I think I anticipated everyone with my artificial heart oxygenating human blood filed as a patent in 2018, which by oxygenating human blood and producing energy autonomously would avoid human brain death. But not even this important invention was financed by me, because it works in an artificial heart it means that we have made a mistake in the entire world development, including the space race. Because even the global linear motors that could take us to need this type of energy, which is the only one that can combine the thrust of Newton and Lorentz to exit the atmosphere and continue in space only with the thrust of Lorentz, as described in the relevant articles. So, even the space race was wrong, both because man's life is too short to start this adventure, and because the energy he has chosen is not suitable for human physiology. In fact, space energy must be breathable by man and must not be consumed inside and outside the means of transport. To produce it, it is necessary to start from artificial light and chlorophyll photosynthesis, as already described in the relevant articles. We do not need to reach escape velocity to exit the atmosphere if we produce

internal and external energy with the compressed hydroelectromagnetic system. The space race is producing immense economic waste while a large part of the world's population is dying of hunger. Furthermore, the energy sources used cannot take us far.

ARTIFICIAL HEART OXYGENATOR OF BLOOD, ENERGETICALLY AUTONOMOUS.



The artificial heart of man, proposed in this patent deposit, closes the circle of sustainable energy based on the only physical principle possible in every remote corner of the Earth: the bypass of the force of gravity and of the elastic pressure of the air that it can be realized everywhere, even in the man's chest, using pumps with the double supply separated until to the impeller, which science, industrialists and world legislators pretend to ignore in order not to admit that they have wronged the entire industrial and economic development. Everything would have been simpler, cleaner and cheaper if this invention had taken place a hundred years earlier, as it could have been. The artificial human heart is the miniaturized version of the autoclave system, already reduced, to make it enter the wells' shirts, to purify the water producing energy. Entering the chest of the man to purify the blood producing the energy needed by the brain is not much different from expected for the wells. They serve two mini parallel autoclave systems that replace the right and left atria ventricles. The two pumps that feed them, with the double supply separated until to the impeller, allowing the balance of the hydrostatic thrust in suction and delivery, allow to get the blood coming from the systemic circulation in the mini autoclave on the right and the one coming from the lungs in that left, bypassing the compressed air pressure. This system works autonomously because the mini autoclave ejects at the same instant the quantity of blood equal to the one that enters, due to the principle of impenetrability of the bodies, through a mini pump used as a turbine connected to a direct current generator. The energy spent by the pump motor is about a tenth of the energy produced by the generator. This allows us to have enough energy available to produce the amount of compressed air necessary to the autoclave and the management of an electronic control unit that with a three-word voice command: "rest, normal, fast" manages the flow and the blood pressure according to the physical activity that it carries out. Although it is the air pressure that circulates the blood in the pump used as a turbine, since the circulation is one-way, apart from air solubilized in the blood with purifying effects, there is no other consumption of compressed air because it is exploited statically and not even electricity to produce it. Although it is the air pressure that circulates the blood in the pump used as a turbine, since the circulation is one-way, apart from the solubilized air in the blood with purifying effects, there is no other consumption of compressed air and electric energy. As published on <http://www.spawhe.eu>, this solution was found by myself after many years spent trying to improve the purification systems of water and air and many patents filed in vain. However, the study served to ascertain that world science has identified single and incomplete scientific principles, which used singly have polluted and warmed the planet. Only with the invention of the pumps with the double power supply separated to the impeller, the undersigned has found the key of the problem. In fact, through it, the dynamic fluid used cold between water and air, especially compressed, would have produced energy protecting the environment, consuming only moderate wear of materials, with low operating temperatures, and air pressures used statically, which would circulate the incompressible liquid. This is the true principle of terrestrial energy that, unfortunately, has not been legislated by world science, which still ignores it, hoping that in addition to myself, no one notices it. Too late. They would have to admit their mistakes, before this energy, despite their silences, also entered the human heart, were, not only it can extend the life of man for many years. But when the other organs are too old, the brain system and the artificial heart. It may also be transferred into an artificial body, which we now call robots, but governed by the human brain and the accumulated knowledge throughout life that will continue to grow even after the death of the body. Reality can overcome fantasy because in no science fiction film this form of human survival has been hypothesized. If the human soul exists it is contained in the brain and its knowledge. It will not be humiliating for anyone to survive thanks to an artificial heart, cybernetic, and some syrup specially designed by nutritionists to be solubilized in small autoclaves that will replace the ventricular atria. When we are ready to do this. We will also be ready to conquer the infinite space. Not before. With our very short current life, we cannot go very far. (<http://www.spawhe.eu/artificial-heart-oxygenator-of-blood-energetically-autonomous/>).

Terrestrial energy science, not having been able to extract clean energy from the earth's climate system, has focused on fossil fuels, nuclear energy, solar panels and wind energy. But eighty percent of current energy is due to fossil energy. This percentage could today be reduced to the bare minimum just to produce steel and cast iron in blast furnaces and incinerate waste, with temperatures of a few thousand degrees centigrade. In fact, it is not possible to save poorly designed incinerators and factories that do not have the requirements to close all the cycles they open, like the ILVA in Taranto in Italy. We must find the courage to move these plants to a place where it is possible to complete both the production, cooling and purification cycle. It is necessary to connect the exhaust fumes from the chimneys to limestone greenhouses with artificial rains that, instead of producing CO₂ and carbon oxides, sulfur, nitrogen, phosphorus, would produce carbonates, sulphates, nitrates, phosphates, which would go into the seas, where they would be in their natural environment, without creating environmental problems in the atmosphere and in the soils dedicated to agriculture.

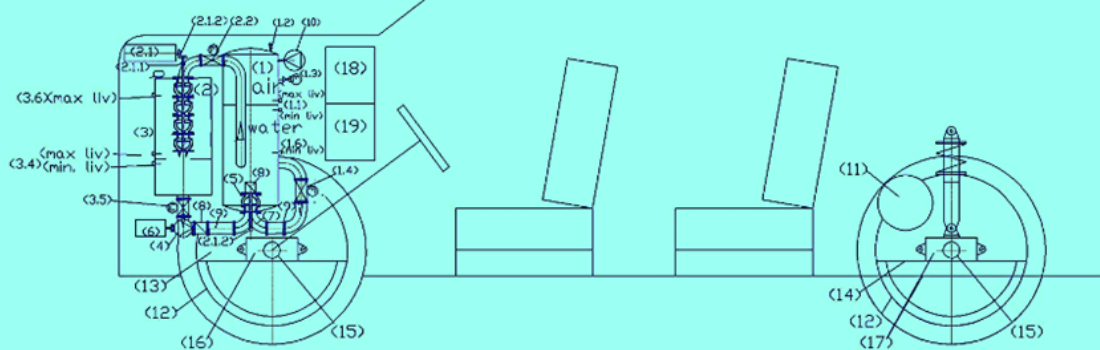
It is already a great fortune that nature allows us to extract energy from the environment for free. The powerful of the Earth cannot think of making fun of the Creator of the Universe, who, if he arranged the entire system to function perfectly without the presence of man and without the use of human technologies. Nature, indirectly, has made us understand how it is possible to correctly design anthropic systems, granting us free atmospheric air compressible even at thousands of bars and incompressible water, which together, only by exploiting physical principles, are ideal for using them, for energy purposes, without extraction, transport and industrial transformation costs. In fact, they are respectively the source of energy (compressed air) and energy vector (water). The reflections on the scientific organization of industrial and environmental work led the undersigned, first to create interactive cycles of cleaning of fossil

energy with large flows of water. Later, in the years 2014, 2015, he invented the system to make them cheaper, inventing submerged and compressed hydroelectric energy, which would be extracted directly from the environment without the hydraulic jump, therefore, with energy that costs nothing being extracted from water and air that are everywhere on Earth. But, since the system was conceived capable of infinitely recycling both water and air, this system will also be able to take us into space and underwater environments, where the biochemical, biophysical and electromagnetic characteristics of water and air will also be needed. In these plants of the future, the current ones being completely wrong, it will be necessary not only to recycle water and air but also to neutralize the CO₂ produced by human respiration and by plants grown in the same environments with hydroponic solutions, which are essential for human survival. We must not forget that even the artificial heart oxygenating the human blood works with the compressed hydroelectromagnetic system and therefore the elderly men, who will be equipped with it, will have greater autonomy of survival, in environments without oxygen compared to the young men who will not be equipped with it.

With the SPAWHE.eu system, everything will become more efficient, simple and economical because compressed hydroelectromagnetic energy is cheaper, smarter and more interactive. It is not a simple liquid or an energetic gas that produces pollution and that if not purified intoxicates travellers. Therefore, compressed hydroelectromagnetic energy, although it is the cheapest energy on planet Earth, is an energy of a much higher level than current ones, which does not interfere with the natural terrestrial energy system, with the production of CO₂, steam, electrostatic currents. The economy of the energy source is evident, as it also eliminates the costs of extracting fossil energy and industrial transformation to obtain the fuels we know and the new ones such as hydrogen which however has high costs and is consumed.

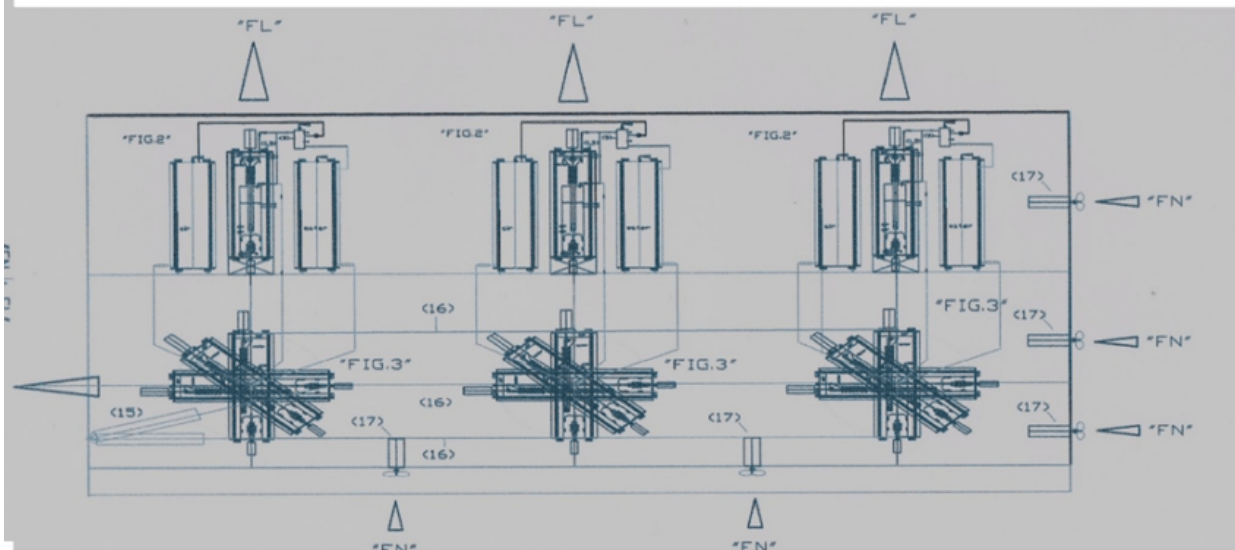
It cannot take us into space while compressed hydroelectric is infinitely regenerable, as described in the appropriate articles.

Electric cars make no sense if the energy accumulators are charged with the energy of thermal and nuclear power plants that are forced to produce even more energy to make up for the low efficiency of the energy accumulators. Even less sense do the urban aeronautical vehicles with electric engines that are launching advertising campaigns as an environmental improvement. These vehicles will need even more powerful energy accumulators and therefore the thermal and nuclear power plants will have to produce even more energy to charge them. Electric vehicles would only make sense if the primary global energy source was hydroelectric energy compressed with water recycling. But since this energy can also be produced on mobile plants at lower costs and with lower weights than heavy energy accumulators, flying electric vehicles do not make sense either.



ITALIAN PATENT 102016000087373 DATED 25 / 08 / 2016

<http://www.spawhe.eu> AEROSPACE AND SUBMARINE TRANSPORT SYSTEM WITH INTERACTIVE PRIMARY AND INDUCTIVE LINEAR MOTORS



Figures 7 show the longitudinal section of a generic submarine transport vehicle, which is very similar to the aerospace system, in that it transports watertight containers to the ocean floor. The difference consists in the fact that also the external frame (T) which contains the lateral primary linear motors can be hermetically closed. Just keep the Newton and Lorentz thrusts separate, making the first with external propellers connected to the electric motors (17) located inside the frame. The submarines will not need to empty and fill the sealed chambers with water to adjust the depth of navigation because the weight will be balanced by the force of Lorentz and Newton according to the formula already mentioned $P = m * (a - aL - aN)$, where "AL" is the acceleration artificially produced with the Lorentz force and "aN" that produced by the reaction force of Newton. The submarines of the future will be much faster, cheaper and safer than the current submarines and will be able to descend to greater depths than the current ones. The legend is not reported being it is already reported in figures 2 and others used, to which the electric turbo fans which have been replaced by normal marine propellers (17) has not been reported. The electromagnetic thrust is produced entirely with the solenoids external to the fluid dynamic systems that also produce primary energy.

What is strange is the worldwide silence on compressed hydroelectric energy that both NATO countries and former communist countries agree on. This confirms that these countries, instead of doing free and independent research, copy each other on the same types of energy, as in weapons of destruction so as not to be left behind on the commercial and military level. Real progress is of no interest. For the opposing fronts, armed peace is more important. For the entire

SPAWHE system, which is made up of over forty Italian patent deposits, of which only six have been transformed into international patents due to the high cost of this procedure, not even one has been financed. And yet, I have modified the chimneys, the sewers, the purifiers, the desalination plants, the water distribution, the artificial heart, the fixed and mobile hydraulic and energy lifting systems, including the land, aeronautical and space transport vehicles. Obviously only virtually. For this reason I have always defined my patents as intellectual, even though I know that intellectual property is not recognized by WIPO to inventors, if inventors stop paying patent maintenance fees. Please note that WIPO is a United Nations body and means World Intellectual Property Organization. And the word intellectual is part of the organization's statute. So even poor inventors have the right to propose inventions. However, of the forty patents that make up the SPAWHE system, which for me is still the only one that can stop global warming, no government or multinational has invested a single euro. The only money spent on this system was that of me to file national and international patents, which I should not even have had to pay, since they are patents of public social utility. I am not aware that writers and musicians pay filing and maintenance fees for their copyright if they cannot find publishers who publish their books or distribute their music on records.

It is very strange the behavior of the United Nations, which favors commercial inventions, of those who pay maintenance fees, instead of stimulating global and interactive inventions that would protect the environment globally. These inventions cannot be synthetic, like commercial inventions, as they must be scientifically linked to the advancement of the global industrial and environmental state of the art of planet Earth to be accepted, foreseeing their application in billions of copies. The patent system has granted me some very important Patents such as the modification of chimneys to capture emissions harmful to the environment, including CO₂; the

modification of sewers with the insertion of sewer sedimentation tanks; the extraction and mobile dehydration of sludge; the overlapping biological ponds; the vertical synergic buildings with food production; the limestone greenhouses with artificial rains; the linear sedimentation tanks with the production of biological sludge already dehydrated with calcium oxide; the submerged hydroelectric; the compressed hydroelectric; the Hydroelectric car that does not need fuel. He did not grant me the patent for the artificial heart that oxygenates the blood and the global linear motors that could take us into space without fuel, being able to add together the thrust of Newton and Lorentz. But he granted me at an international level the patent for the pump with the double separate power supply up to the impeller which for me is the simplest, most economical and efficient invention of all time as it would allow the insertion into a pressurized recycling circuit of low-pressure water that is enriched with oxygen according to Henri's principle, and with pressure, according to Pascal's principle to purify the water and produce electricity at zero cost by consuming only the wear of the materials. This invention is very important because it is simultaneously energetic and purifying, but the entire world science has not understood it. Or has it pretended not to understand it? Does the current world ruling class organize COPs to hide or promote global scientific and technological progress? And how have the G1 to the G20 favored sustainable inventions? I have spent a lifetime proposing forty inventions that would have had to be connected to each other to work. But no one has realized them and obviously, no one has connected them. I do not have another life to make the inevitable updates and connections that have never been made.

I even tried to organize a "Non-profit" fundraiser through the organization GO fund.me and FIVERR, regularly paying their collaboration for the search for donors, but I was unsuccessful. The mass scientific culture created by the consumer society is too deep-rooted and an inventor who

believes in alternative and interactive solutions, in addition to losing money to file patents that no one finances, must lose financially, also trying to create a "NO-profit" design and construction company based on my energy and environmental inventions, which are alternatives to the current ones, with the name SPAWHE which means Synergic Plants Artificial Welling Hydroelectric Energy. Where hydroelectric energy, in particular, would be very different from the current one, not exploiting a hydraulic jump, but the pressure of compressed air and the one-way flow of fresh water on earth

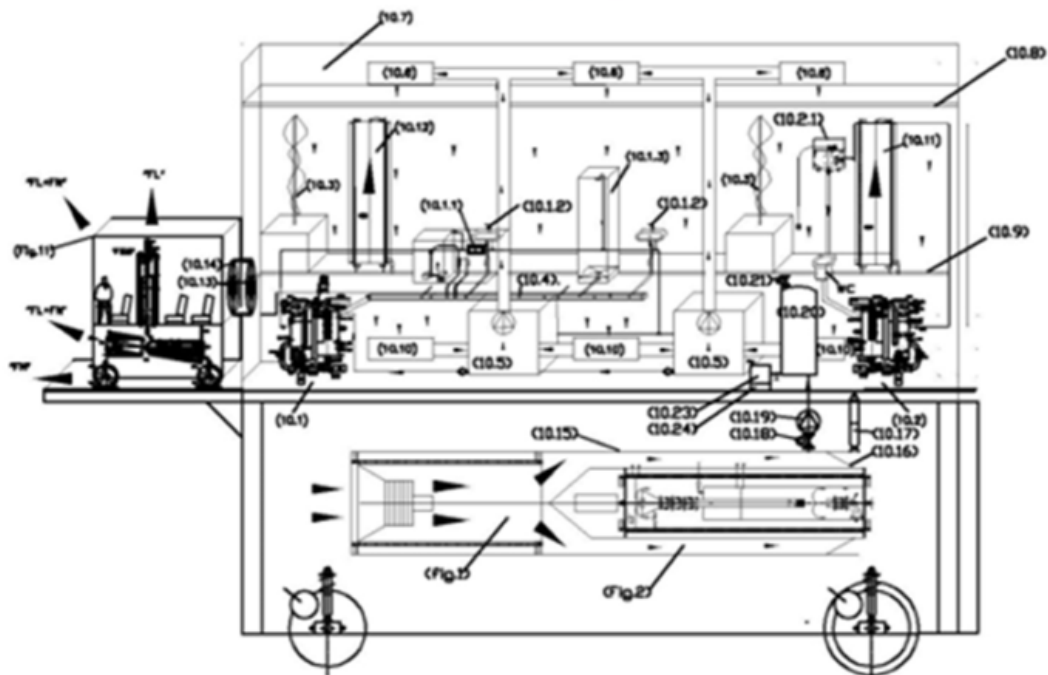
At COP 29 in Azerbaijan from November 11 to 22, SPAWHE solutions were not even discussed, as if I, who have developed them in a lifetime of work in industrial and environmental design and as an inventor, had lived on another planet. The same thing happened at the G20 summit held in Rio de Janeiro, Brazil from November 18 to 19. What can we expect from this ruling class? I am not an anarchist and I am not interested in politics. I am someone who works hard even in retirement without being paid by anyone because I believe I understand more than many others what the environmental and energy problems of the Earth are, this having been my job for fifty-five years. I have never tried to make a career to reach the top of the corporate ladder because I have always thought that if you lose sight of the details of the state of the art of industry and the environment, the world's ruling class continues to elude them, as do the solutions to fight, not only global warming, but also the solutions of the real world economy, which should bring all people to the same level of development, without being forced to try to migrate to other countries driven by hunger, while the more fortunate countries build ever higher walls and patrol the coasts to keep them out. As if they were not also Children of that God who designed the Planet so that it could accommodate a population much larger than the current one, if only science and technology limited themselves to coldly extracting energy from the Earth's environment by designing synergistic anthropic

plants, extracting from sustainable agriculture and the oceans by means of artificial Welling all the food that humans need, and replaced the main source of electricity with compressed hydroelectricity that does not need the hydraulic jump to be produced in fixed and mobile plants.

It is no coincidence that only this type of energy would allow us to add together the Newtonian and Lorentzian thrusts, which in the current state of the art of world transport have never been added because the electrical circuits needed to produce the Lorentzian thrust can only be created at Earth's temperature. As for nuclear energy, we do not need it. It is sufficient to simply excite the atoms, without dividing them, to obtain important industrial and medical applications, such as laser beams and nuclear medicine. All inventions that do not interfere with the Earth's climate are welcome. The SPAWHE system, on the other hand, interferes positively, as the more energy we produce, the more we will purify the environment as the energy source (air) dissolves in the energy vector (water) according to the principles of Henri and Dalton, purifying each other. For this reason, this is the only energy that can also take us into space, being breathable by man. Above all, if we want to venture into space, we must first defeat old age with my heart oxygenating human blood, which has also been boycotted by science at the service of the same ruling class that created global warming, which did not want to modify the chimneys, the sewage systems, the purifiers, finance the submerged and compressed hydroelectric with applications in basins, wells, homes, industry, the hydroelectric car, the artificial welling, the artificial heart. The global linear motors that could take us into space, creating in the space carriages a circulation of air pressurized at atmospheric pressure humidified with nebulized water recycled and purified to infinity. In practice, the men who will travel in these carriages will not feel the effects of the lower gravitational force, compensated by the pressurization of the environment and by the regulated circulation of water towards the drains

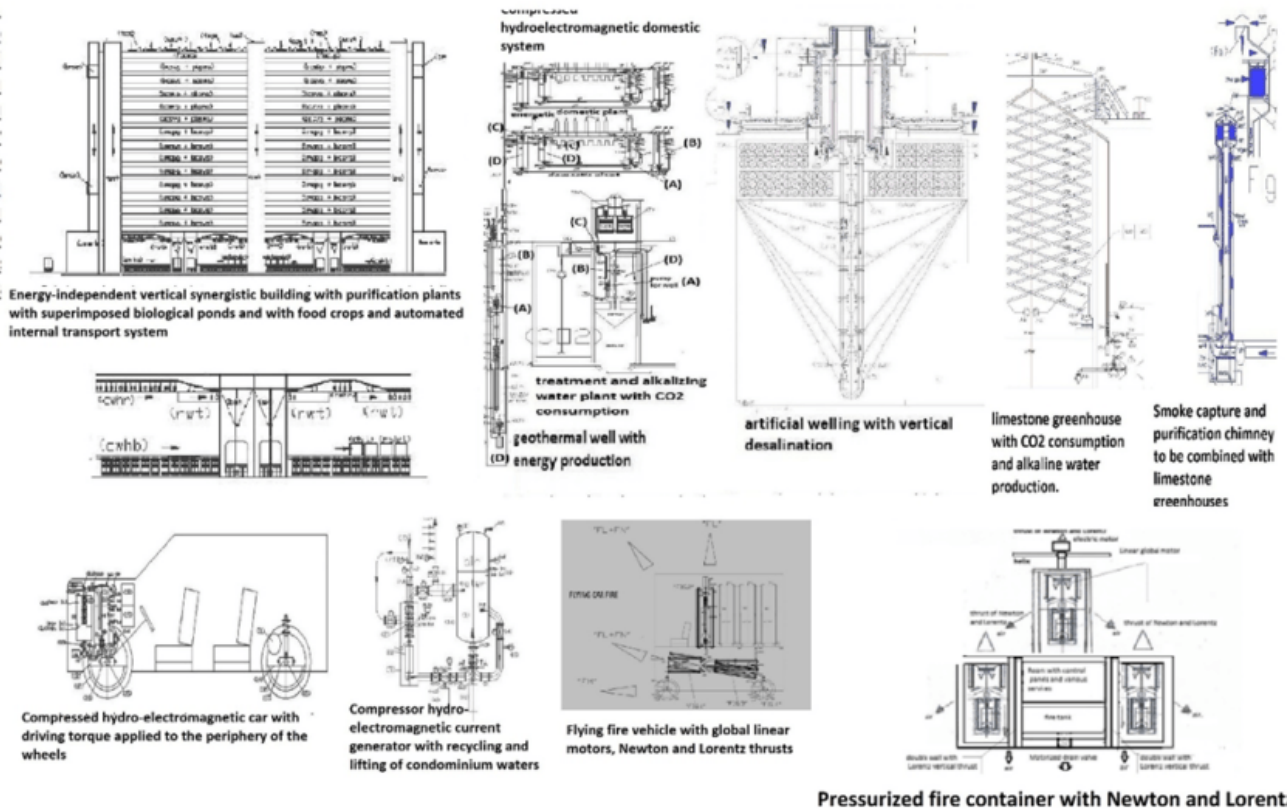
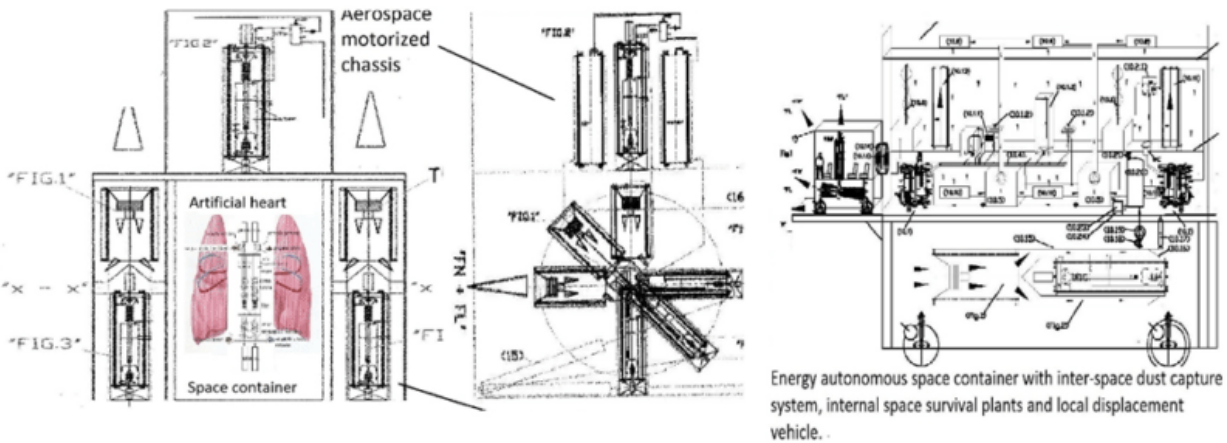
driven by mini crusher pumps and electrostatic currents, while the air will be driven by electric fans and pipes incorporated into the walls, false ceilings and service areas under the floor, as in the attached figure.

SPACE CONTAINERS WITH GLOBAL LINEAR MOTORS, INTERSTELLAR DUST CAPTURE SYSTEM AND INTERNAL SURVIVAL SYSTEMS. <https://www.spawhe.eu>



"FIG.10"

(10.1) domestic water purification plant; (10.1.1) ultraviolet disinfection system; (10.1.2) drinking water withdrawal point; (10.1.3) shower; (10.2) toilet waste water treatment plant; (10.2.1) toilet drain pan; (10.3) hydroponic cultivation; (10.4) waste water collection channel; (10.5) purification, humidification and air recycling system; (10.6) electrostatically polarized air inlet vents into the environment; (10.7) ceiling air distribution plenum; (10.8) regenerable filter ceiling in steel straw; (10.9) gridded floor with air passage; (10.10) electrostatically polarized air intake vents; (10.11) water reserve tank with external solenoid and vertical circulation of permanent magnets to produce Lorentz thrust; (10.12) compressed air reserve tank with external solenoid and vertical circulation of permanent magnets to produce Lorentz thrust; (10.13) Airtight passage porthole; (10.14) electromagnetic flexible metal bellows with external vacuum-tight gasket; (10.15) external connection steel tunnel between the electric turbofan fig1 and the compressed hydroelectric primary energy production plant of fig.2; (10.16) truncated conical sector closure of the interstellar dust collection tunnel by means of a steel rope which runs in rings external to the closing cone; (10.17) electric actuator for activating dust collection closure; (10.18) shut-off solenoid valve; (10.19) electric vacuum pump; (10.20) high vacuum dust collection tank; (10.21) air inlet solenoid valve at atmospheric pressure; (10.22) solenoid valve for interstellar dust output; (10.23) electrostatic filter; (10.24) removable container for interstellar dust; (Fig. 11) interstellar local displacement vehicle.



COP29, year 2024, that is, the official ratification that world governments are at year zero with respect to the Spawhe system, which started in the year 2006, without public and private contributions, in the protection of the environment, the production of clean energy and the sustainable economy.

<https://www.spawhe.eu>

Humans are proving to trust more the billionaires and politicians who are destroying the Planet, than the Creator of the universe who had arranged everything so that, with the delicate terrestrial energy, cold extracted already clean from the terrestrial environment, we could extend human life and also go into space with the delicate terrestrial electromagnetism that is able to communicate perfectly with

the immense universal network of the universe of nuclear origin, already prepared by the Creator of the universe, not of our competence, for the purpose of protecting us from radiation and nuclear waste. Unfortunately, the man who has shown not to know how to design the elementary anthropic plants at the terrestrial temperature, has tried directly to divide the atom without first going through the inventions of SPAWHE, which are the great missing link in the terrestrial development. Developing SPAWHE in its entirety, science would probably have understood that energy must be circumvented, as the undersigned circumvented the gravitational force by inventing the pump with the double separate supply, which would allow to circumvent the hydrostatic pressure of an autoclave, inserting the water that must produce energy at very low cost into the recycling circuit. Not directly into the autoclave. This simple and linear reasoning, the entire world science has pretended not to understand it leaving only the undersigned to fight with politicians, billionaires and scientifically ignorant economists. I have never thought of getting rich with my inventions and I have considered them working even if they have never been tested. Virtually, the SPAWHE system has not only defeated global warming, it has also gone into space without fuel and nuclear energy. Leaving aside politicians, billionaires and economists, who cannot go into specifically technical and scientific details, I am concerned about the silences of science that like justice should be above the parties. Not on the side of those who pay him his salary every month. This reflection leads me to ask myself how long has science been sold to the powerful of the Earth? For whom did Leonardo da Vinci work? Certainly for those who financed him. So not for the poor and the defenseless. In other words, those who financed Leonardo da Vinci were making an investment. Things have always worked this way. We must ask ourselves why none of my inventions have been financed? I think that the powerful of the Earth have not considered it a good investment. In fact, if energy is everywhere and costs nothing, what do they gain from it? Why,

in particular, has no one financed my artificial heart? I think it is the same reason why the powerful of the Earth prefer electric cars to hydroelectric ones that would be completely energy autonomous. So they would reduce the volume of world business: of fuels that still today produce eighty percent of the world's primary energy; to which market we must add the market for the extraction and distribution of global fossil energy; to which we must add the market for the distribution of global electrical energy; to which we must add the market for electric accumulators to charge electric cars and the entire market for the disposal of materials to build energy accumulators, such as lithium, which is already running out. But we don't even need solar panels and wind turbines that involve the transport of energy over a distance, which in addition to having a cost interfere with the natural ion exchange between the Earth and the ionosphere. However, returning to the artificial heart that oxygenates the blood, energy autonomous, which has not been taken into consideration by medical science in order to continue selling pacemakers, we can say that we are at the same level as the difference between the electric car and the hydroelectric one that does not need the entire fossil energy supply chain and energy distribution networks. In fact, if we think that the Earth's atmospheric pressure is equivalent to 760 mm of Hg while our blood pressure is on average 120 Hg, with my artificial heart powered by static atmospheric pressure, we will have both margins of survival from heart attacks since the artificial heart oxygenating the human blood is composed of two small autoclaves, one of which serves the lymphatic circuit and one the pulmonary circuit. Since each autoclave is equipped with a small turbine coupled to a small current generator that discharges the blood at atmospheric pressure and through a small pump with a double separate power supply it is introduced again into the autoclave to oxygenate itself and resume its lymphatic or pulmonary cycle, it is very difficult for elderly people of the future to die of heart attacks, since the two systems that work in parallel but are still

communicating should fail at the same time and the oxygen reaches the brain in a smaller quantity but prevents brain death. I say that if science has given up on developing this invention that could extend human life, probably by hundreds of years if coupled with the construction of artificial organs, science is tied hand and foot to the world power centers that have created global warming and the unequal distribution of world wealth. For this reason, as written, above the billionaires to show off their wealth pay a banana 6.2 million euros calling it a work of art and do not care about the thousands of children who die under the bombs in Palestine and Ukraine.

Luigi Antonio Pezone