

From the theory of general relativity to the general artificial terrestrial interactivity unwanted by governments and multinationals.

Abstract

In this article I summarize my activity as an inconvenient inventor for science and the powerful of the Earth, who jointly have neglected the terrestrial interactive principles to create specific inventions disconnected from each other, which clearly are not compatible with the terrestrial environment, not closing all the chemical and biological cycles they open. This has led to a completely wrong environmental, industrial and economic development which today is impossible to correct due to the fact that all the world's scientific, political and economic centers of power are involved. I recall the concepts of the theories of relativity developed by Albert Einstein and published in the years 1905 and 1916. The special relativity of 1905 states that in space the laws of physics are the same for all inertial reference systems: "a body perseveres in its state of motion or rest until an external cause modifies the conditions". The general one of 1916 extends the explanation of relativistic phenomena also to non-inertial phenomena, which are subject to acceleration, but always in the spatial context and in relation to the specific and general aspects of physics. The general one of 1916 extends the explanation of relativistic phenomena also to non-inertial phenomena, which are subject to acceleration, but always in the spatial context and in

relation to the specific and general aspects of physics. Very different from specific and general spatial relativity is general terrestrial interactivity, which does not only concern physics, since, in the terrestrial environment, in the presence of biological, zoological life, organic and inorganic chemistry, the chemical and biological interactive connections that nature closes in the atmosphere, in aquifers, rivers, lakes and seas, purifying them automatically through natural interactive phenomena, such as chlorophyll photosynthesis and the carbon cycle. From space we receive unidirectional gravitational force towards the center of the Earth and bidirectional electromagnetism. Thanks to these two invisible forces, everything is transformed and renewed in natural times due to the annual rotation cycle around the sun, to the daily rotation speed around the magnetic connection axis of the poles, with a quantity of energy, also influenced by proximity to the planets and satellites of the solar system. Therefore, natural terrestrial interactivity is closely connected to the energy of the solar system, which through gravitational and electromagnetic forces are the true drivers of all physical, chemical and biological processes. These processes have nothing in common with distant nuclear and space thermodynamic origins, as they occur at atmospheric temperature and pressure. Above all, this should have given pause to science and terrestrial inventors, who, instead of reinforcing the natural interactive terrestrial processes, which reproduce themselves at the terrestrial temperature, have distorted them, resorting to the heat produced by fuels and nuclear energy, which not only have high costs and produce pollution and radioactivity, they do not strengthen the natural interactive principles of the earth, but damage them, also introducing very large quantities of greenhouse gases into the environment, such as steam and CO₂. Less than two hundred years of wrong industrial development were enough to alter the biological and climatic balances laboriously created by terrestrial nature in the previous 4.5 billion years. It was not difficult to understand that although terrestrial nature

did not have technologies at its disposal, it had already made all the arrangements to allow us to produce, with minimum cost and minimum exploitation of natural resources, only the technologies indispensable for purifying water and air. and extract the energy from the environment needed to produce electricity for free, without producing any form of pollution. In fact, atmospheric air pressurized by nature at a pressure of one bar is a perfect clean gas that contains 21% oxygen with purifying oxidizing power. If we suck air from a tube immersed in water, it rises about ten meters as demonstrated by Torricelli (1608-1647), without expending energy to lift it. Science should have deduced that if we pressurize an autoclave to a pressure of ten or thirty bars and open a water outlet valve, it rises to a height of 100 or 300 meters, instead of the 10 meters allowed by atmospheric pressure. We can mount this energy system on fixed and mobile systems. If we keep the pressure of the autoclave constant by simultaneously introducing the same quantity of water that comes out through the pressurized recycling circuit of the autoclave, we can create infinite purification and energy cycles, as the water that enters the autoclave absorbs oxygen and when it comes out, partially purified from the absorbed oxygen, it can produce electrical energy through a turbine coupled to a current generator. How can the water discharged at atmospheric pressure be inserted into the pressurized recycling circuit at 10 or 30 bar? It wasn't easy to understand, since I arrived at it after ten years of activity as an inventor, but in the end I realized that it is sufficient to create pumps with a separate double power supply up to the impeller, one of which is powered by the discharged water. from the turbine that produced the primary energy and the other is connected to the autoclave recycling circuit. Therefore, on planet Earth we do not need the heat produced by fuels, solar panels, nuclear energy. We can produce electricity without producing any form of pollution, including CO2 and steam. We don't even need to transport electricity remotely, being able to extract it directly from the

environment where it is needed in fixed and mobile systems. Therefore, even renewable energies (wind, hydrolytic, biological, solar) are not convenient. Even more so, we don't need electric cars or even turning hydrogen into fuel. We must ask ourselves why all the world governments and all the multinationals and above all the United Nations, which manage the intellectual property of inventions, have not understood this invention which could be one of the most important in the history of humanity, also transformed into an international patent (PCT/IT2016/000202- 08/31/2016) (W02017/042847-03/16/2017) which the undersigned saw expire on 08/07/2018 after 31 months from publication without finding interlocutors among all the world's political scientific personalities companies who say they want to fight global warming and why these same personalities have also boycotted the previous and subsequent inventions (forty), which gradually led to the global invention of "Artificial Terrestrial Interactivity" which is indispensable to defend ourselves from changes climate change, increasing food production by means of artificial welling, desalinating water, irrigating deserts, to go into space with energy that is not consumed and which would protect human physiology, maintaining terrestrial temperature and pressure in space environments. Furthermore, it should not be overlooked that the artificial heart has also been boycotted which, with two small autoclaves in place of the right and left ventricles, would oxygenate human blood, greatly extending the current short human life. I, as the intellectual inventor of general artificial terrestrial interactivity, am still looking for institutional interlocutors, not multinationals, not mafias. If, at least the United Nations were not a political body but an impartial experimental scientific body, general artificial terrestrial interactivity would have already been tested, not only on the basis of the solutions proposed by the undersigned in forty inventions, but of all the inventors, always choosing the best, simplest and most economical solutions, because science, unlike justice, cannot make mistakes given the possibility of

experimenting before acquitting or condemning. The current United Nations, however, demands from inventors like myself the payment of annual patent maintenance fees and the payment of fees for making legal appeals against non-granted patents, instead of taking on the burden of experimentation in the interest of the entire world population. I only paid the filing fees because I am only interested in the intellectual property of my inventions. I have never paid the maintenance fees for national and international patents because I never thought of being an entrepreneur in retirement. I have never made legal appeals against patents that were not granted to me because I have no money to waste against a system that does not appreciate the scientific and impartial organization of work. But I filed and published my solutions anyway. I simply wanted to demonstrate that the majority of the world's purification and energy systems are wrong and that the current ruling class has no intention of correcting them. If intellectual property is worth nothing economically to the United Nations and the current world ruling class it doesn't matter. But if we lived in a true world democracy, it should be founded on the scientific organization of work, not on the speculation of the world stock markets. I don't consider myself a victim but an innovator because I think there has never been an inventor forced to produce forty inventions without seeing even one tested and created. History will prove who is right or wrong about the quality of inventions. Those who have political and economic power must take on the burden of experimentation before deciding what is right or wrong for the planet we live on. This is the only reason I became an inventor in retirement. If in my working life I had not tried to scientifically understand the world of work, on what basis would I have based my inventions? Many democratic countries like Italy base their constitution on work. But it is not enough if the work is not organized scientifically and impartially because science cannot be wrong if it is applied globally. Unfortunately, I was forced to write an article that states the opposite: **"The scientifically disorganized work of**

public bodies and multinational corporations on planet Earth."<https://www.spawhe.eu/the-scientifically-disorganized-work-of-public-bodies-and-multinationals-of-planet-earth/> If governments and a large part of the world population are more interested in financial speculation, which has nothing to do with honest daily work, it is not possible to defeat global pollution, the unequal distribution of world wealth and wars are fought all over the world. It is necessary to expel the merchants from the Temple, if necessary also the politicians who prevent the testing of sustainable inventions. It is no longer the time for mediation: every choice must be made impartially in the right place, at the right time, with the right solution. This is the logic of the SPAWHE nursery rhyme (Sinergic Plants Artificial Welling Hydroelectromagnetic Energy). **2.Global warming exists because world governments and legislators have never forced the inventors and designers of anthropogenic plants to close all the cycles they open.**

I have always thought that as a pensioner, if I had maintained a reasonable state of health, I would have invented new purification and energy solutions, since, above all, as an installer of systems contracted by public bodies, I noticed that they could be designed in a more efficient

studying the purification cycles and work organization better. The latter, learned by the undersigned in my previous experience, which lasted 17 years in the automotive industry. The industrial sector is very different from the environmental one, but if you know both sectors, it is possible to find a common logic, precisely by studying the scientific organization of work, which in industry must speed up the quantity of production in the unit of time per reduce production costs and beat the competition, while, in the environmental sector, it must speed up natural biological and biochemical interactive processes, to increase food production capacities and control the temperatures of open or closed production plants.

Even today, public designers, not having to deal with the laws of the market, do not pay attention to the scientific organization of work and the increase in the speed of processes which can only occur by better studying the work cycles and also the machines necessary to create the projects. processes. My twenty years spent installing environmental anthropic systems, designed by public bodies, have been an immense source of knowledge of the errors committed from the point of view of productivity and process efficiency, against which, as a simple technician responsible for a small team of workers I couldn't do anything except try to win the tenders by purchasing the equipment at the best price and better organizing the work of my team of workers. Some might ask themselves the reasons why I moved from large industry to a small company installing environmental systems, and into a less technologically up-to-date sector. I can answer that professional curiosity was the predominant factor and that I was convinced that by observing environmental work from an industrial point of view I would enrich myself professionally. In other words, I preferred a horizontal career instead of trying to try to move up in corporate hierarchies. I have never regretted this choice, but at the same time, I couldn't wait to retire and start my business as an innovative inventor in the environmental and energy sector. My twenty years of humble work as an installation technician were fundamental in identifying the details to be explored scientifically, with greater calm as a pensioner, without the stress entailed by working in a small company that has to beat the competition on a daily basis.

As an environmental inventor, I couldn't help but start from the sewerage sector, because, as they say, "he who begins well is halfway there". The current sewer systems are an authentic global disaster: the inadequacy of the way of transporting sewage to the final purifiers lacks any respect for biological cycles. Even today, purifiers are forced to regenerate septic water with immense energy consumption and poor quality

results, as the very long journeys to reach the purifiers destroy organic matter producing hydrogen sulphide and sulfuric acid which also corrode sewer pipes. With the rains, from the overflow drains, the acidified sewage goes directly into the surface waters of rivers, lakes and seas. Only in the latter case in some cases are underwater pipelines used, which cause less damage. The few waters that purifiers are able to purify with regenerative oxygenation cycles produce acidic water because the processes of alkalising the water involve the use of calcium oxides whose production involves heating limestone rocks to a temperature of around 1000 degrees, which involves high CO2 emissions and therefore current regulations allow water with a pH of 5.5 to be discharged which however continues to acidify rivers, lakes and seas.

My solutions which involved the oxygenation of water directly in sewer sedimentation tanks (which still do not exist anywhere in the world) by means of cold artificial rainfall on calcareous material, without any CO2 emissions, were not taken into consideration. It is true that when I proposed them with the current energies they would have entailed high energy costs, but in the following years when, with the invention of the pumps with the double separate power supply up to the impeller, I demonstrated that even the raising of the water could take place by producing energy, without energy costs and CO2 emissions. The worldwide silence of the environmental authorities and of science itself continued even after the publication of these solutions. In fact, by extracting electricity directly from the terrestrial environment with open hydraulic circuits or pressurized with autoclaves, which no one has built, for fear that they work, causing all the world's stock markets to collapse at the same time.

For this ruling class and the legislators, as an inventor I should have created at least the demonstration prototypes alone with the powerful means made available by my pension of 1800 euros per month. Furthermore, legislators demand from

inventors not only filing fees, but also patent maintenance fees and legal fees for appealing against patents not granted, by ministerial bureaucrats who define my inventions as "perpetual motion". Instead, perpetual motion is not convenient because it would be useless, as it does not produce or consume energy. I have preferred solutions that extract clean primary energy directly from the Earth's environment through the advantageous principles of fluid dynamics and electromagnetism to design interactive systems with infinite energy autonomy, which only wear out the machines that allow their production at room temperature terrestrial which with artificial light and chlorophyll photosynthesis can also be reproduced in the space transport means of the future. It is clear that these legislators, with these regulations, discourage private inventors and favor the inventions of multinationals and public bodies. In fact, there is a thriving one-way trade in patents, from public bodies to multinationals, well regulated by the legislators themselves who even establish the quotas due to inventors and the public bodies they belong to when patents are sold. I didn't know these laws and regulations when, as a pensioner, I started producing my first inventions. When I learned about them, I thought that if the inventions are valid and of public utility, in the age of the internet, in some way, they would have found interlocutors and financiers. I was wrong. None of my forty inventions have found interlocutors or financiers. But in the first years of my activity as an inventor I still deluded myself that by developing the details and publishing them, there could still be some margin for making scientific and organizational truths about work known, especially in the environmental and energy sector, under accusation, above all, for global warming. I was wrong in this case too, because for the current ruling class even global warming is a business, being always in the front row to raise funds to repair the damage, with solutions that are never global and that do not exploit the interactive principles, known by same science at the natural terrestrial speed, not at the higher speed that

the undersigned proposes through his own fluid-dynamic and electromagnetic interactive technological inventions.

3. Who boycotted the extraction of clean energy from the environment in the last century?

What stimulated me most to persevere in my activity as an inventor was the observation that inventions in the field of chemistry and physics, however complex, are worth nothing compared to biological, biochemical, interactive electromagnetic processes invented by terrestrial nature without the use of no technology. I have already mentioned in some other article this distant episode which recounts the only contact I had with the Italian ENEA, of which I still retain the evidence in case anyone felt defamed.

For those who don't know, especially abroad, ENEA is the acronym for "National Energy and Environment Agency. The protocol number is ENEA/2009/370587/PRES dated 2/07/2009, in which the former president, Prof. Luigi Paganetto, invited me to a meeting in their headquarters in Bologna, writing to me verbatim: "In order to to delve deeper into the technical aspects and economic implications of the systems and technologies you propose, please contact Dr (name omitted for confidentiality), responsible for the Anthropic Risk Analysis and Prevention Methods Section, who will be able to organize a meeting with industry experts. Unfortunately, for reasons unknown to the undersigned, the president's collaborators delayed the meeting, and summoned me in the second half of September 2009, making me travel about 1100 km by train there and back just to inform me that the prof. Paganetto was no longer the president of Enea, and they could not deal with my patents, not having sufficient funds even to carry out their patents. Therefore there was no technical discussion about my patents. All this could have been communicated to me even with a simple email, without making me also bear the inconvenience and travel expenses. This is the level of behavior of Italian research institutions towards private inventors. However, I

think that the former president of Enea liked my project on domestic water saving which was also a European patent (E P 1860072A2. entitled "phosphor removal from detergents wastewater and graywater recycling system for flushing toilets"), an alternative to the project created by Enea with European funds called "Acqua Save" whose prototype built in Bologna cost two billion old lire, based mainly on the recovery of rainwater to be used for toilets. Their project was expensive and cumbersome as it occupied the entire ground floor of a building with eight apartments. My project, however, was completely invisible and incorporated into the floor and walls in special Maxi boxes for cleaning toilets. Furthermore, my project was the first example of an interactive project as it allowed users to collaborate in protecting the environment by automatically dosing a small amount of calcium and ferric chloride into toilet flushes for the prevention of hydrogen sulfide and the precipitation of phosphorus directly into the sewerage system which I had modified with other patents by introducing sedimentation tanks along the sewerage routes and a sludge extraction and dehydration system incorporated in special mobile tankers. Subsequently, in 2015, when I invented the pump with the double separate power supply up to the impeller which would have allowed the extraction of clean electrical energy from the environment without the cost of fuels, it was possible to create artificial rainfall with the same surface water as sewer settlers introduced into the sewers with a 2009 patent. With these rains, circulated on limestone boulders suspended in metal baskets, it was possible to coldly remove the calcium oxide necessary to keep the sewer waters alkaline, therefore, the sludge settled in the bottom of the sedimentation tank would have produced a methane fermentation, rather than an acidic one like the current one with the production of hydrogen sulphide and sulfuric acid. We would have produced methane which, when combined with the surface water of the sedimentation tanks, would have been transformed into CO₂, which, passing through the limestone rocks, would have

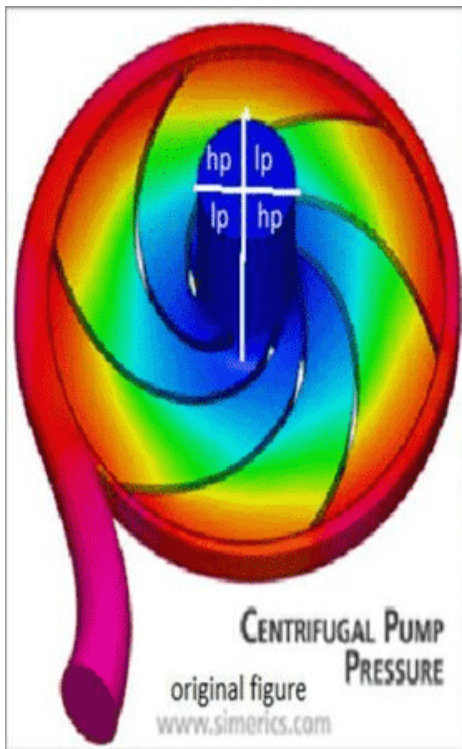
produced $\text{CaO} + \text{H}_2\text{O} + \text{CO}_2 = \text{CaCO}_3 + \text{H}_2\text{O}$, creating an interactive cycle that would have kept the sewer waters in their alkaline. Therefore my solution of entrusting users with the task of dosing the calcium in the toilet waste trays has been overcome. But what is serious is the fact that the global public bodies that deal with these problems, including the Italian ENEA, have not noticed this virtual advancement in the state of the art of the global sewerage system. They couldn't think that all my virtual inventions that they didn't want to experiment with, in 2020 I would use them to virtually design space carriages combined with global linear motors with Newton and Lorentz thrust. In fact, I resumed my old project from 2007, snubbed by Enea, because in space we cannot create either sewer sedimentation systems or artificial rainfall on calcareous material. We must chemically neutralize the CO_2 produced by human breathing with the small calcium oxide dispenser envisaged in my 2007 European patent. And the water recovery and recycling system must also be invisible like the one envisaged by the undersigned in the same project. Since all my activity as an inventor has been concentrated in the development of interactive purification and energy systems, I have not understood whether there is a worldwide prejudice against private inventors, or whether public bodies and multinationals do not like interactive systems in principle. I don't believe I have cheated if with these systems, at least virtually, I have solved the major problems of our time, including the unequal distribution of global wealth. Obviously, with my modest pension and the few years I have left to live I can't prove anything, but I took away the satisfaction of putting my solutions on paper.

I also want to remember the Italian ENI, which responded to my proposals with international patents on cleaning fossil energy that they already comply with the regulations. Who made the current regulations? Didn't they realize that these regulations caused global warming? I wrote the following article on this topic when I didn't yet have my SPAWHE

website <https://www.meteoweb.eu/2013/01/inquinamento-globale-botta-e-risposta-con-eni/179710/>. The episodes of Enea and ENI touched me deeply in my professional pride, to the point that today I thank them because they had the merit of making me angry, to the point of bringing out the best in my latent ability to think globally and multi disciplinary. It doesn't matter that none of my inventions have been created yet, the important thing is that they exist and have been published and will continue to exist to be verified by a world ruling class that has no desire to verify them so as not to admit their own design errors and global environmental and energy management.

Global public bodies, such as Enea and ENI, have continued to obey public and private employers, going against terrestrial nature with their designs and inventions, which have excluded both purifying and energetic interactive principles, which are due to gravitational force, chlorophyll photosynthesis and the terrestrial carbon cycle. These interactive principles, as the undersigned has demonstrated in forty national patent deposits, of which six are international, can be locally strengthened by designing differently the anthropic energy and purification plants, both fixed and mobile, to the point of reducing every form of water pollution and of atmospheric air. In other words, the more energy we produce, the more we will protect the environment, since the universal terrestrial energy source will be atmospheric air (more or less compressed) and the energy carrier will always be incompressible water at the temperature of the terrestrial environment. As we know, water and air purify each other due to Henry and Dalton's physical principles on the solubility of gases. But in the design of machines and systems we must also exploit other principles such as that of the impenetrability of bodies, Pascal's and Torricelli's principles, and those of terrestrial electromagnetism developed by many scientists and inventors which allows us to add together the temperature of the terrestrial environment the push of Newton and Lorentz which cannot be added at high temperatures so as not to damage

the electrical circuits. However, in some cases it is necessary to resort to a scientific paradox to trigger an interactive energetic and purifying process at the same time. I am thinking in particular of fluid mechanics and the Venturi effect (or hydrodynamic paradox) which is the hydrodynamic phenomenon, discovered and studied by the physicist Giovanni Battista Venturi (1746 -1822), whereby the pressure of a fluid current decreases with the increase of speed and increases as speed decreases. This paradox occurs in all centrifugal pumps, as the center of the rotating impeller produces a centripetal force which increases the speed of the water entering the impeller which simultaneously undergoes a reduction in pressure in the impeller entry passage section. In the following phase the impeller, due to the spiral shape of the blades, decreases its speed while the pressure increases rapidly. This phenomenon or hydrodynamic paradox allowed the undersigned to invent in 2015 the pump with the double separate power supply up to the impeller still misunderstood by the entire world science although it was registered as an international patent and also lapsed as a patent, as written above, due to incomprehensible written laws by global intellectual property legislators.



hp = high pressure = alta pressione
 lp = low pressure = bassa pressione

<http://www.spawhe.eu/relativity-and-technology-in-the-new-hydroelectric-energy/>

In the pumps, the centrifugal force, having radial direction, creates a depression capable of attracting the liquid intubated, external to the pump. The low pressure area is at the center of the impeller, is called "eye of the pump" is colored in blue on the attached drawing and corresponds to the input of water into the impeller. In the green zone begins the pressurization of the liquid, which is completed in the red zone. It 'clear that if we feed a pump with two flow rates equal but different geodetic heights, we have a considerable energy saving because it is the water from the upper reservoir, which can be recycled, to raise the water from the lower basin, by means of mixing water and the expansion of the greater pressure that happens in green and red area. Obviously, with this solution, they do not serve multistage pumps and motors of great power, but single-stage pumps with double flow and small power engines , dimensioned for water recycling, and not for lifting. If we divide the two flow rates in four areas, arranged diagonally, also we balance the forces on the bearings. Each sector is always powered with the same water, but the rotation of the impeller allows the flow sequence on the same blade so that the one with greater hydrostatic pressure to push the one with lower pressure. In essence, it is what happens in multistage pumps but with lower costs in the construction of pumps, motors and absorbed powers. But the dual supply pumps, coupled to the turbines also allow the production of energy with the recycling and the water lifting. However, it seems that the pumps with dual power does not affect the authority of the environment, the pump manufacturers and investors in general. They find not investors.

Nelle pompe, la forza centrifuga, avente direzione radiale, crea una depressione capace di richiamare il liquido intubato, esterno alla pompa. La zona di depressione è al centro della girante, è chiamata "occhio della pompa" è colorata in blu sul disegno allegato e corrisponde all'ingresso dell'acqua nella girante. Nella zona verde inizia la pressurizzazione del liquido, che si completa nella zona rossa. E' evidente che se alimentiamo una pompa con due portate uguali ma battenti diversi, abbiamo un notevole risparmio energetico perché è l'acqua del bacino superiore, che può essere a riciclo, a sollevare l'acqua del bacino inferiore, per mezzo della miscelazione dell'acqua e l'espansione della pressione maggiore che avviene nella zona verde e rossa. Ovviamente, con questa soluzione, non servono pompe multistadio e motori di grande potenza, ma pompe monostadio con portate doppie e motori di piccola potenza, dimensionati per il riciclo dell'acqua, non per il sollevamento. Se dividiamo le due portate in quattro settori, disposti in diagonale, equilibriamo anche le spinte sui cuscinetti. Ogni settore è alimentato sempre con la stessa acqua, ma la rotazione della girante consente la successione dei flussi sulla stessa pala in modo che quello con maggiore pressione idrostatica spinga quello con minore pressione. Nella sostanza, è quello che avviene nelle pompe multistadio ma con minori costi nella costruzione delle pompe, dei motori e delle potenze assorbite. Ma le pompe con doppia alimentazione, abbinata alle turbine consentono anche la produzione di energia con il riciclo e il sollevamento delle acque. Tuttavia, sembra che le pompe con la doppia alimentazione non interessino le autorità dell'ambiente, i costruttori di pompe e gli investitori in generale. Esse non trovano investitori.

The figures above should make even lay people in science, physics and technology understand that by changing the way centrifugal pumps work, we have no limits on the size of the systems, nor limits on the maximum lifting height. The reasoning is valid both if the system operates at atmospheric

pressure and if it is connected to an autoclave at any operating pressure. The only condition to be respected is that the same quantity of water must enter the systems at low pressure that exits at high pressure, both for the principle of the impenetrability of bodies and for Pascal's principle, which allows the pressure to be maintained in all directions, not the increase in pressure that requires the supply of new energy, which in any case, if it were extracted from the environment, would cost nothing, except greater wear of the electrocompressor and the circulation pump. As can be seen from the drawing, I divided the water inlet into four alternating sectors (LP) low pressure and (HP) high pressure, but it would have been the same thing to divide the supply into two circular rings of equal section, placing in the center the smaller one (LP) which would benefit more from the greater centripetal effect produced by the rotating impeller. Practical experimentation should have defined this detail. But faced with the silence of the entire world ruling class, including the scientific one, I could do nothing but wait for a future generation to emerge that is wiser and more far-sighted than the current one. At least on environmental and energy problems. Current science, which has not been able to extract the clean energy provided for free from the earth's environment, has created immense economic damage to the world economy because in addition to paying the cost of fossil and nuclear fuels, humans must also pay the costs of purification, for which, unfortunately, science itself has not been able to design the systems, keeping the specific skills of the various branches of science and crafts separate. Today we have fixed and mobile thermal plants that waste resources and do not close all the cycles they open and nuclear plants that have not been able to decontaminate radioactive pollutants, which must be hidden in underground storage sites because no one knows how to neutralize them. Current science, which has not been able to extract the clean energy provided for free from the earth's environment, has created immense economic damage to the world economy because in addition to paying the cost of

fossil and nuclear fuels, humans must also pay the costs of purification, for which, unfortunately, science itself has not been able to design the systems, keeping the specific skills of the various branches of science and crafts separate. Today we have fixed and mobile thermal plants that waste resources and do not close all the cycles they open and nuclear plants that have not been able to decontaminate radioactive pollutants, which must be hidden in underground storage sites because no one knows how to neutralize them. The logic of the scientific organization of work, first industrial and then environmental, led me to think differently than industrial and environmental designers and inventors, and therefore to unify the work cycles, air water purification and energy production, which finally, after about ten years, led me to the first inventions that directly extracted clean energy from the environment. But the path was not simple because first I tried my hand at cleaning fossil energy, producing carbonates in water, and then to economize the processes of this solution, developing other details, I realized that on planet Earth it is not necessary to thermal energy and not even nuclear energy. It doesn't even need energy transport. World science has always been silent about my solutions. He never dared to call them "perpetual motion" as, in some cases, the bureaucrats of the Italian and European patent office did, because the energy comes from the gravitational force through scientific and technological reasoning which they were not able to understand, having had bad teachers in the universities they attended.

Let's try to compare the nursery rhyme of <https://www.spqwhe.eu> which virtually globally applies the interactive principles on earth and in space, with the solutions carried out by public bodies such as the Italian Enea and ENI and by global public science, such as the imprisonment of CO2 underground with the C.C.S system and the insistence of global public bodies to build old and new generation nuclear plants which are not compatible with

temperatures, pressures and terrestrial biological processes and will never allow them to be added together the push of Newton and Lorentz. Consequently, terrestrial electromagnetism, cold extracted in the terrestrial environment, in space, can connect to universal electromagnetism which has thermal and nuclear origins, not compatible with terrestrial nature. NASA and the world's private space bodies have not yet understood this and are spending billions of dollars to produce energy that is worth nothing compared to the interactive energy extracted for free from terrestrial nature.

Today, even if I am still alone, I am proud of my inventions, above all, because they were not appreciated by public bodies, such as Enea, by multinationals, by space bodies who, with their enormous resources, have produced inventions regardless of terrestrial interactive processes, on which the undersigned continued to work, following the logic of the scientific organization of work which always chooses the simplest and most economical solution updated to the state of the earth's technological art, gradually, over the years, moving from the rational cleaning of fossil energy to the production of electricity, extracting clean primary energy directly from the environment, where it is needed, when needed, in fixed and mobile systems. Therefore, we have made a mistake in the entire industrial development because there is no need for the current transport of electricity and even less for the transport of fossil energy from mines, from land and sea wells, by means of tankers, oil pipelines and methane pipelines, gasifiers and degasifiers. Thanks to the extraction of clean energy directly from the environment, it will no longer be possible to leave the world's populations without electricity and heating and cooling systems in the event of wars such as in Ukraine, the Gaza Strip and anywhere in the world. It will not be possible to blackmail the world's people who have to escape from fires, floods, earthquakes, to queue first at petrol stations to save themselves. We will

even be able to store the energy source (compressed air) in the tanks of aeronautical and space transport vehicles without consuming it, to begin space exploration seriously in a sustainable way.

All this seems like science fiction because the inventors domesticated by public and private centers of power, who number many millions, well paid and protected by international laws that protect industrial property, have not been stimulated by world legislators to produce intellectual inventions. In fact, intellectual inventions can be produced even by inventors without money and by public and private employers such as multinationals. Of course, this type of work should also be legally recognized. Today, however, with current legislation only industrial patents can be filed and whoever files a patent, if he does not pay the maintenance fees in the years following filing, loses all legal rights to his invention which has not found financiers and can neither sell nor exploit his patent in subsequent years, unless he files it again under another name and pays the filing and maintenance fees again, provided that in the meantime, his invention has retained the requirements of novelty, inventiveness and industrial applicability.

All this is absurd from a legal point of view as all other authors of intellectual works are recognized as having copyright even if they find publishers several years after writing a book or a musical score or a painting by the author.

The ignorance of legislators and patent offices themselves in matters of intellectual property is very serious and penalizes the entire world development as developing interactive projects is much more complex than the development of a specific commercial invention which requires few claims of novelty, inventiveness and industrial applicability. Interactive inventions on planet Earth do not exist, apart from those developed by nature without technologies, which are still difficult to understand perfectly today, such as, for

example, chlorophyll photosynthesis and the terrestrial carbon cycle. Unlike specific inventions, which exploit individual physical, chemical and thermal principles, they must be multidisciplinary as they must connect with the surrounding processes and with previous and subsequent inventions of the same inventor or other inventors. Interactive inventions cannot be defined as commercial inventions and current patent offices can rarely understand them. In fact, the Italian and European patent offices have defined the most

inventions of the undersigned as "Perpetual motion" to say that they are not patentable, as it is impossible to create them with existing scientific knowledge and technologies. I would have had to oppose these decisions with legal appeals, spending more money unnecessarily, since, in any case, I would not have found public and private interlocutors available to finance them. In fact, if the world ruling class did not finance the cleanup of fossil energy, which although based on interactive processes, was at a lower technological level than energy, they certainly would not have financed the latter. Above all, those mounted on land, marine, submarine and space mobile installations. There is certainly a lot to work on these topics and a simple pensioner will not be able to develop all the details. But the environmental, energy and legislative authorities are even preventing the laying of the first stones for sustainable development in everyone's interest.

In this global context, how can employees escape the wishes of their public and private employers. How can companies installing human-made systems fail to participate in tenders? Who can dispute such a complex and articulated system in which everyone is directly or indirectly involved? Only by correctly, scientifically and impartially developing the organization of work is it possible to identify errors and correct them. I have done my job and indicated the path to follow, but the path is very long and concerns all human

activities. How can the question that gave the title to this chapter find answers: Who has boycotted the extraction of clean energy from the environment in the last century? Who consciously and who unconsciously robbed future generations of the energy that would protect the environment instead of damaging it, as most current energies do? Certainly, most of the past generations were in good faith when they invented, approved and legislated the inventions of the past, but can the same be said today? If the current world ruling class has not yet financed any of the inventions of the undersigned which have modified chimneys, sewers, domestic systems to create complete water and air cycles which could purify each other in a simple and interactive way, favoring the contact along natural or slightly modified routes with pumps, fans, imhoff pits, sewage sedimentators, limestone greenhouses, which would exploit simple and natural physical and chemical principles to purify water and air along the routes that bring water back into rivers, lakes and seas , and return the air to the atmosphere, how was it possible to think of designing mobile, energetically autonomous systems, where there isn't even enough space to carry out these purification processes? Don't the world's scientists know, especially the Nobel Prize winners, that the scientific and technological state of the art must gradually grow with complete and interactive inventions, without taking shortcuts that are not compatible with the earth's environment? If there is a small possibility of extracting clean energy from the environment for free, why do they ignore it? I think they ignore it because they will always be able to justify themselves by saying that they were not informed, rather than dealing with the enormous possibilities of compressed hydro-electromagnetic energy.

Among the patents I would have liked to talk about in the meeting with Enea, mentioned above, there was also my European patent of 28.11. 2007 <http://www.spawhe.eu/phosphor-removal-from-detergents-wastewater-and-greywater-recycling-system-for-flushing-toilets/> . This

patent, which no European or global country has created, is the demonstration that world governments do not know how and do not want to apply the scientific organization of work in the environmental sector, since, in addition to allowing a simple and economical recovery of domestic water in the within the domestic environment not polluted by kitchen grease would also have allowed chemical conditioning with lime which would have prevented the formation of hydrogen sulphide in the sewers. Even today this system which involved the recovery of water camouflaged in the floor and the accumulation in large built-in cisterns, camouflaged in the walls, was created on planet Earth. Paradoxically, this solution, which is not used on earth, can be used in space because by infinitely oxidizing the water, the alkalinity is lowered. Calcium is one of the elements most present in interstellar dust, dissolved in water together with the CO₂ produced by the breathing of men and plants inside the space containers, it would produce calcium bicarbonates which restore the original alkalinity. The calcium that on Earth we can only extract from limestone rocks, heating them to around 1000 degrees centigrade, in space we could capture for free from interstellar dust. The reversible reaction is the following: $\text{CaCO}_3 \rightarrow \text{CaO} + \text{CO}_2$, as described in articles published on 29.07.2021 :
<https://www.spawhe.eu/interstellar-dust-capture-system-and-space-environmental-plants/>,

<https://www.spawhe.eu/from-the-earth-beyond-the-moon-colonizing-space-with-compressed-hydroelectromagnetic-energy-unknown-to-terrestrial-science/>,

I receive several letters from publishers who say they cannot publish my articles because they have already been published by other publishers. What, in my opinion, these publishers fail to understand is the fact that I am not a professor but a retired inventor not linked to any center of scientific, political or economic power. I do not earn credits for advancing academic careers with publications and no economic benefits because my patents have all legally expired as I have

not paid the annual national and international maintenance fees. I do not follow the rules made by men but only those that find scientific and technological confirmation by following the cycles necessary to create complete natural cycles without altering them, based on a strict scientific organization of earthly work which locally increases the speed of processes by exploiting only fluid dynamics and terrestrial electromagnetism, which although it is produced cold and has nothing in common with the universal one produced by the ferromagnetic nuclei of stars and planets, communicates perfectly with it.

My inventions and my articles are based on a lifetime of work in the design and construction of industrial and environmental anthropic plants designed by others with specific never global criteria, as international environmental laws have never claimed that anthropic plants close all cycles that open. Therefore, everything I published anticipated international environmental laws and has still never been achieved on planet Earth. They are still world novelties. Current world legislators consider patents to be of environmental and social public utility, at the same level as the commercial patents produced by multinationals and global public bodies, which together have produced global warming due to the fact that they separately exploit physical and principles in incomplete systems that do not close all the cycles they open. The legislators of the world patents of the WIPO (world international property organization), in addition to the filing fees, also demand annual patent maintenance fees from private inventors, who try to close all the cycles they open. These laws favor the existing public and private centers of power, both because they do not demand the closure of all the chemical and thermal cycles that open up, and because they discourage the search for new solutions by inventors who cannot afford to pay in addition to taxes maintenance fees are also deposited. I am proud to have filed these patents, but I believe that we are governed worldwide by scientific,

political and economic hypocrisy, which hides behind specific skills, scientific, economic, legislative policies, discouraging transversal inventions of multidisciplinary and interactive connections such as those proposed by the undersigned. The fact that my inventions and my articles on the cleansing of fossil energy and those on the extraction of clean energy directly from the environment have been published not only on my personal website (<https://www.spawhe.eu>) but also by other publishers should constitute a request to the governments in office to clarify, because I am sure that science cannot be wrong, if applied with global skills. With this I do not claim to have global skills, I only indicate the path to follow, since in the phases following the development of the inventions, specific expertise in each sector is still necessary. Everything that an inventor has designed can and must be practically tested with demonstrative prototypes, before being produced on a large scale in billions of specimens. A single inventor cannot have, especially if he is a modest pensioner like myself, the economic means to prove the validity of his interactive inventions, he cannot be punished by legislators by granting him a limited period of time to create his inventions, certainly more complexities of the

commercial inventions of multinationals. What use are public research bodies and their laboratories if they do not intervene in these cases? World politicians and legislators are doing a terrible job, since the opposite of what humanity needs is happening in today's society. The commercial inventions of multinationals that damage the environment are produced in billions of specimens without anyone correcting them, while the interactive ones that could solve the problems of global warming, droughts, floods, the high energy costs of land transport, marine, aeronautical and space, no one finances them. Demonstration prototypes would cost very little if built by bodies such as the United Nations. Why doesn't this happen? Why does the WIPO (World Intellectual Property

Organization), which is an organ of the United Nations, ask a pensioner to pay patent maintenance fees on inventions of global public utility, instead of recognizing only the intellectual property and does not assume responsibility for at least test the prototypes demonstrating the validity of the inventions and make them available to all countries in the world?

There is also something wrong with the organization of the United Nations, which can draw on the world's best brains and immense economic funds to make the right choices on the scientific, economic and organizational level of world work.

Who does the United Nations represent? Who organize COPs (conferences between the parties) without having plans above the parties. The United Nations should be the meeting point of all countries to have a common sustainable development, instead they are another tool to isolate inventors who work for free to seek logical and interactive solutions that can only be identified by those with transversal work experience and is not interested in personal enrichment. If the United Nations knew how to do its job, it could smooth out the political, economic and religious disagreements between all the countries of the world, to give work to everyone without unemployment benefits and redistribute the world's wealth because the first thing to correct are the wrong inventions which have created global warming and the unequal distribution of world wealth. But the United Nations doesn't even realize that the WIPO they run creates the world's greatest paradox by allowing public inventors to sell their patents to multinationals with the consent of governments. Therefore public inventors do not do the work they are supposed to do. Today the controllers and controlled are on the same side, otherwise I wouldn't have felt the need to transform myself into an inventor in retirement. It would be more fair if public inventions and those of inventors independent of multinationals were recognized as intellectual property, not

industrial property, and for the United Nations to create demonstrative prototypes in the interests of all the countries of the world, to be presented every year at the conference of set off. But the United Nations should be something completely different from what it is now. In some respects, it would have been better not to know Einstein's theories and the origins of the universe, to learn how to extract energy directly from the gravitational force, and from electromagnetism, without taking into account specific relativity and the principles of inertia, which they are valid only in the vacuum of space. On planet Earth, the energetic reference point is general relativity, not specific relativity. Bodies, molecules and atoms do not persevere infinitely in the state of motion at constant speed. They are slowed down by the frictional resistances that oppose the movement of the molecules present in materials, air, water and soil. If there were no such resistance, there would be no life form of biological, chemical, physical life. In the terrestrial environment, the boundary between pressure and depression, between solid, liquid and gas, is always a source of exchange of energy, molecules and atoms between one state and another. Just think of the carbon cycle and chlorophyll photosynthesis. From the book by prof. Paolo Sequi, with the emblematic title "The Environmental Raket" I quote: For every 35 million carbon atoms coming from photosynthesis, 30 million oxygen atoms are needed, 60 million hydrogen atoms and as many as 1,552,904 atoms of different elements brought by the waters (1000,000 of nitrogen, 250,000 potassium, 125,000 calcium, 80,000 magnesium, 60,000 phosphorus, 30,000 sulphur, 4,500 iron,

2,000 boron, 1,000 manganese, 300 zinc, 100 copper, 3 cobalt, 1 molybdenum) . This means that terrestrial natural science is infinitely superior to human science. When faced with this type of science, our best scientists seem like amateurs at risk, even if in some cases the inventions are correct. The worst are undoubtedly energy and environmental inventions. The former open useless thermal and nuclear cycles that do not

belong to terrestrial nature, as the carbon cycle that moves immense quantities of water, air and steam takes place entirely at the temperature of the terrestrial environment. The latter do not know how to close the cycles that the former open. Global warming was inevitable without my forty inventions which gradually identified the connections between the various terrestrial inventions to develop artificial terrestrial interactivity which enhances natural terrestrial interactivity, where this is lacking due to problems, especially climatic ones, such as deserts, the poles, and where fresh water is absent, such as offshore the oceans to create artificial welling which could at least triple current food possibilities. Where does the strength of molecules and atoms to overcome such resistance come from, if not from the force of gravity and the relative acceleration (9.81 m/s^2)? Thus, Einstein's specific relativity does not apply to terrestrial life. It was sufficient only to know general relativity and general electromagnetism to study the scientific and technological systems necessary to locally increase the force and acceleration of molecules, at the earth's temperature, to satisfy the greater food needs due to the growth of the world population, but also the greater need for comfort of the environments in which man lives, the greater need for transport, purification, production of steel, construction materials and electricity. All these plants were not designed rationally, simultaneously studying gravitational, general electromagnetic phenomena and terrestrial interactive phenomena between molecules, atoms at a chemical and biological level, the scientific organization of industrial and environmental work. These plants, with hindsight, could have been designed without current terrestrial energies: nuclear, thermal, wind, solar, hydroelectric, electrostatic. These systems were built with greater costs, greater overall dimensions, greater negative side effects, compared to what they would have cost by exploiting the interactive principles. It can be asserted that a global study on the energetic and technological purification

interactivity of planet Earth has never been done because every scientific faculty, still today, pulls grist from its own mill and even entrepreneurs and multinationals are specialized in individual sectors of human activities . Therefore, on planet Earth, we have separate anthropic water and air purification plants that do not exploit interactive principles and we have energy plants of various types that equally do not exploit interactive principles. This is the biggest mistake in the scientific history of planet Earth, because gravitational force and atmospheric air are everywhere. Not using atmospheric air as a source of energy is like rejecting manna from heaven. Not using water as an energy carrier is equally serious as it is incompressible and has a density 830 times higher than air. Therefore, for the same flow rate and pressure, water produces 830 times more energy than air or combustion fumes. Finally, not coupling cold fluid dynamics to induction electromagnetism is another huge mistake of terrestrial science, since terrestrial electromagnetism, excellently developed by inventors and scientists at the end of the nineteenth century, cannot allow itself to be coupled to thermal systems as it produced with coils of copper wires protected with insulating paint. Compressed hydro-electromagnetic energy is not used to transport energy over a distance, but to produce and use it on site in every corner of the Earth, at the temperature of the terrestrial environment, in fixed and mobile systems, completely autonomous, from each other others, which extract clean primary energy directly from the environment. Someone should explain to me how we could have created the current global warming if science and inventors of the past and present had rationally and simultaneously used Einstein's general relativity and terrestrial interactivity inherent in the fluid dynamic scientific principles of Torricelli, Henry, Pascal, Venturi and the electromagnetic ones of Faraday, Maxwell, Tesla, Lorentz, etc.

If we carefully observed, with the right skills, the state of

the art of the year 2023 of sciences, technologies, industrial, environmental work organization, land, air, space, marine and submarine transport, we could realize that on planet Earth we have made great progress in terms of scientific and technological knowledge, however, this knowledge has not served to avoid global warming and the unequal distribution of world wealth. The reason for this failure is due to the fact that the current divisions of scientific and technological skills, both at university and entrepreneurial level, among politicians and economists, have not allowed the development of interactive connection details between industrial, environmental and energy processes. and purifying. These interactive processes already exist in nature, otherwise homo sapiens would never have been born. In fact he was born only in the last 300,000 years, when the environment was completely clean. Our main problem, as descendants of homo sapiens, should have been to maintain the same conditions of terrestrial life that allowed our existence, while other living species, from the prehistoric era, gradually became extinct and others are on the way of extinction, above all, due to climate problems. Man could also be an endangered species, since nature, not having available technologies, has not been able to enhance food production to meet the needs of the growth of the world population. Human technology has, in part, remedied this need, but it has gotten the energy sources wrong. Therefore, it is necessary, above all, to correct the wrong inventions that the inventors, specialized in individual sectors, have not made compatible and interactive with the surrounding environment. Current inventions, both energetic and purifying, separately exploit thermal and nuclear cycles, the force of the wind, sunlight, hydraulic jump, anerobic digestion, hydrolysis, electrostatics, energy accumulators, which are never perfectly interactive with terrestrial nature. In many cases, they cause more harm than good to the environment. In other cases, it is not worth creating them due to the high cost of infrastructure and systems, maintenance, the extraction of energy sources

from the subsoil, their transformation, refining, marketing, transport between the various production phases and of retail distribution, to which it is also necessary to add the transport of the electricity produced, which cannot all be used locally. Certainly, electric cars cannot be considered a solution due to the high cost of energy accumulators and the enormous costs of distributing electricity to create car charging points, which leave out the heavier means of transport, tractors agricultural and those needed on mobile construction sites. Even the transformation of hydrogen into fuel cannot be considered a solution as it presents the same problems as the transformation and commercial distribution of energy with even greater costs as hydrogen, being very light, must be pressurized and marketed at very high pressures (around 700 bar). If it is true that hydrogen does not produce CO₂, it is also true that its combustion produces steam, which is always a greenhouse gas that increases global warming. It is much simpler and cheaper to use compressed air as a source of energy that is not consumed and does not have to be burned. Therefore it does not even produce steam. Those who in the past have tried to use compressed air as a source of energy, got the system completely wrong, using it as an energy carrier, which consumes electricity like battery-powered cars by loading the pressure by means of compressors which is consumed in very short time and therefore must be recharged. Instead, in my solutions the compressed air must be used as a static accumulator of the pressure which is not consumed, apart from that which dissolves due to the Henry principle in the water which is the energy carrier which is not even consumed, using the pump with the double separate power supply up to the impeller which allows two circuits to be powered simultaneously to insert the water discharged from a low pressure turbine into the high pressure recycling circuit of an autoclave. This is the correct solution, but science is silent and naturally the entrepreneurs who have made the wrong investments, realizing immense economic profits, are also silent because public science does not correct the wrong

systems as governments use it to support the development of multinationals also through international patent trade. **4. Science must be free and independent from political and economic centers of power** LThe current servility of public research towards multinationals has prevented the technological deepening of terrestrial interactive principles, which must be based on updating the fluid dynamic and electromagnetic state of the art, which on planet Earth would be sufficient to extract clean energy directly from the terrestrial environment to every corner of the Earth, at the moment it is needed, at the temperature of the terrestrial environment, without having to suffer the costs of purification and cooling. It should be obvious that the extraction of energy from the environment, in addition to the economic advantages, would serve to avoid transporting the weight of fuels and the greater dimensions and weights of cooling and purification systems. Interactive fluid-dynamic and electromagnetic inventions would have allowed us to save natural resources, prevent current global pollution, which is melting glaciers, acidifying the seas, raising the level of sea waters. The multiplication of violent atmospheric disturbances, the long periods of drought alternating with flood rains, the multiplication of large forest fires, which are the consequence of specific inventions, which do not exploit interactive principles, today find the entire world ruling class unprepared, which it has not been able to create the infrastructure to accumulate water in the plains where it must be used in periods of drought. He has built dams in the mountains that cause more harm than good even if they do not collapse, because when mountain reservoirs are full, the water is forced to flow faster into rivers and streams, causing more damage. But the greatest damage is caused when dams collapse. The list of collapses of the last 50 years is long, but it is sufficient to recall a few episodes. In 1963 the Vajont dam in Italy overflowed: 1759 deaths. In 1975 the Banqiao dam collapsed in China: 85 thousand died from the flood, 145 thousand from hunger and epidemics. In 2005, the Shadikor dam,

completed just two years ago, collapsed in Pakistan: 80 deaths and thousands left homeless. The most recent disaster, which occurred on 09.11.2023 caused by Hurricane Daniel, where the city of Derna, Libya was almost completely destroyed. According to the Red Crescent, there are 11,300 victims of the flood and over 10,000 people are missing, having been transported by the waters to the sea. All this just to exploit the banal hydroelectric energy with the hydraulic jump. World science is still silent on the simplest of my inventions which I called submerged hydroelectric which would allow hydroelectric energy to be produced without the hydraulic jump in the plain by simply placing a pump in series in the same descent tube that works in the direction of the gravitational force coupled to a motor electric that overcomes the state of inertia and a turbine coupled to a current generator that produces electrical energy tens of times greater than the energy absorbed by the electric motor, simply by exploiting the gravitational force and the hydrostatic head on the axis of the pump and turbine without wasting the water which can be used at any time for agricultural, industrial or urban uses. With current technologies, due to the fact that we do not extract clean energy directly from the environment, in addition to the economic and environmental damage, we are also forced to suffer the mockery of not being able to add together the push of Newton and Lorentz due to the dimensions and the weights of systems that would not be needed, such as purification and cooling systems, fuel tanks and any nuclear reactors. These immense advantages that the current science and ruling class do not see, would be due to the fact that we would use an energy that is not consumed and which is automatically renewed at the temperature of the earth's environment, recovering the small percentage of air that comes out of the vents in which it discharges the water that produces energy, replenishing the pressure of the autoclave with a very small compressor. Unfortunately, even today, in 2023, no public or private scientist or inventor has theorized or simply thought of locally enhancing the strength of the

interactive principles already existing in terrestrial nature, and partially identified, by the principles legislated by Torricelli, Newton, Pascal, Henry , Venturi, before the invention of electricity, which represents the separation point between agricultural and industrial development. The interactive link between fluid dynamics, already known, and the invention of electric motors and current generators, could and should have emerged from the beginning of the industrial era since electrical energy requires primary energy to be produced dynamic fluid that causes permanent magnets to move in an electric field. On planet Earth there is nothing cheaper than the hydraulic jump which exploits the gravitational force for free to produce hydroelectric primary energy which moves the permanent magnets in an electric field via a turbine. Obviously, it was unthinkable to exploit the cumbersome hydraulic jumps in all the world's energy applications, but it was possible to work in this direction to exploit the interactive principles that could replace the hydraulic jump. This is what the undersigned did, first inventing submerged hydroelectric energy which exploits only the hydrostatic height within the same basin, putting in series a pump with an electric motor which overcomes the state of inertia by absorbing little energy, and a turbine coupled to a power generator, which produces a quantity of energy tens of times higher than that consumed by the motor coupled to the pump, which obviously pumps in the direction of the gravitational force. It is clear that this system, by recycling the water in the area in an open circuit, which must not raise the water, produces a much higher quantity of energy than it absorbs. However, the leap in quality of clean energy extracted directly from the environment can be achieved by exploiting the static pressure of compressed air, which must not be used as an energy actuator as it is currently used in autoclaves and pneumatic cylinders. Compressed air must be used as a source of static energy which is not consumed, apart from that small percentage which dissolves in the energy carrier which is water (according to Henry's principle) and is automatically

renewed every time the water is discharged at atmospheric pressure at the turbine outlet, before the same water is introduced back into the recycling circuit by means of a pump with separate double feed up to the impeller, which allows the pressure of the impeller to be balanced in the impeller itself water at low pressure and recycled water at high pressure according to Pascal's principle. This very simple invention is the most important energy and environmental invention of all time, being simultaneously energetic and purifying without the costs of transforming and marketing energy, extracting it directly from the earth's environment. This invention must have been thought of at the end of the nineteenth century when the first electric motors and induction current generators that work with the same principles were invented. Instead, it was thought of by the undersigned in 2015, amid the general indifference of scientists, entrepreneurs, politicians and economists worldwide. It was of no use inventing in the following years the hydroelectric car, the artificial heart that oxygenated human blood which, working with the same interactive energetic and purifying principles, could significantly extend the length of human life. It was of no use inventing global linear motors, which would use electric turbofans incorporated in electromagnetic tunnels capable of adding together the Newton and Lorentz thrust, which could circumvent the gravitational force by extracting energy directly from the environment, also revolutionizing the aeronautical industry and spatial with immense economic and environmental benefits. Global linear motors could even capture interstellar dust to supplement consumables in long space explorations of the future. It's all written in articles already published in Spawhe's long nursery rhyme. <https://www.spawhe.eu/the-spawhe-rhyme-and-the-map-of-the-website/>. Science should have, above all, entered into the details of the scientific organization of the natural terrestrial biochemical, biophysical, biological work at terrestrial temperatures and atmospheric pressure and learned to extract energy from the environment without altering it, simply by

increasing the operating pressures locally to satisfy the increased demands for energy, food and consumer goods, due to the increase in the world population. Earth's natural science does not use fire and nuclear energy but only natural fluid dynamics and electromagnetism through gravitational force. Therefore, the specific skills of individual terrestrial human specializations

cannot focus only on the physical aspects of the energy resulting from nuclear explosions that nature controls on its own through the infinite expansion of the universe, the formation of galaxies, black holes, dark matter and other incomprehensible phenomena which it is right to investigate, but to carry out these investigations, we cannot neglect what should have already been clarified for at least a century. Above all, we must try to maintain unchanged the environmental conditions received from nature before industrial development. The wrong inventions that have produced global warming will never be able to change with the current world ruling class which has never spent a single euro to finance scientific principles, technologies and interactive scientific organization of work. The word interactivity is completely unknown to the countries that participated in the 2023 G 20, how can it be known to other countries, which are even more backward from a technical, economic, scientific and organizational point of view of work? This very serious delay can never be recovered if we do not go into all the details of the organization of industrial and environmental work and all the work cycles involved in the fixed and mobile anthropic plants. Nothing must be wasted, improving the state of the art in all sectors at the same time, perfectly closing all the organic and inorganic cycles that open and above all, avoiding opening useless cycles, thermal, nuclear, which on Earth are of no use, being the terrestrial nature designed to produce food at the temperature of the terrestrial environment, which can be increased locally with scientific and technological development and scientific organization of interactive work.

This type of alternative development is described in the SPAWHE nursery rhyme which is the long list of missed opportunities of the public and private global ruling class to create truly sustainable development, i.e. interactive, simultaneously energetic and economic purifying. The large countries that face each other on a scientific, technological, economic and military level have not spent even a single dollar, euro, ruble, yen, to check whether the pump with the dual separate fuel supply up to the impeller which could change the entire world development works or not. , allowing the direct extraction of primary energy from the terrestrial environment without using any of the existing current energies which cannot compete on a scientific, technological, economic and environmental level with the energy produced by means of this simple invention. We must ask ourselves why the undersigned did not go into debt to demonstrate the validity of this invention? I believe I have explained it extensively, stating that sustainable inventions of public social utility must not serve the personal enrichment of the inventor as they must be produced and disseminated quickly to make up for lost time. Instead, for the G 20 countries it seems that the undersigned invented hot water. It must be considered that my activity as an inventor began in 2005 when I was already fifty-six years old and the invention of this pump occurred in 2015 because before inventing it, another twenty-six interactive preparatory inventions were necessary, based on the scientific organization of environmental work, which no public or private body has ever financed. After the invention of this pump that no one understood, fourteen other patents were filed to illustrate its applications that no one understood. If I had stopped to look for financiers that I wouldn't have found anyway, where would I have found the time and money to experiment with this invention? Furthermore, this invention would never have been born without previous virtual inventions. Only by working through subsequent inventions did I myself understand the great importance of this invention. With the modest economic means available and my advanced age,

I allowed myself to invent even the most important applications in fixed and mobile systems, which are not perpetual motion as the bureaucrats of the patent offices managed even by the United Nations would have you believe. Probably, I was too modest in publishing the "SPAWHE nursery rhyme", as a chant that simply criticizes the current poor energy and purification choices. I didn't want to give the impression of wanting to compare Albert Einstein's theory of relativity, certainly more complex and ingenious, with my purification and energy inventions. Unfortunately, with modesty you don't get anywhere, it is better to say clearly that for practical purposes, for the well-being of the terrestrial environment and human survival, it would have been more useful to first discover the theory of "**general artificial terrestrial interactivity** " and then with clearer ideas, discover Einstein's theories. Probably, we would have avoided the Second World War, the atomic bomb and the current wars of invasion of Ukraine and the Gaza Strip, because general artificial terrestrial interactivity opens up immense alternatives for economic and employment development compared to current development. This theory expands the boundaries of habitable spaces on planet Earth and the world of work because if energy is cheap, we can make even the poles and deserts habitable and create artificial islands. Border wars between one people and another become ridiculous, especially those to obtain supplies of obsolete and uneconomic energy sources. Political and even religious struggles become ridiculous. Not to mention the Catholic religion, because all religions have equal dignity. As a Catholic, a passage from the Gospel of Matthew comes to mind: "Look at the birds of the air: they neither sow nor reap nor gather into barns; yet your heavenly Father feeds them. Don't you perhaps count more than them? And which of you, no matter how hard you work, can add a single hour to his life?" This article continues by reporting only some figures of the articles published in chronological order in the SPAWHE.eu nursery rhyme which represent a virtual advancement of the purification and energy state that world

governments and the United Nations have never taken into consideration, favoring the current incomplete inventions of public and commercial bodies of multinationals. Indeed, they have hindered these inventions at a legislative level, not granting intellectual property that does not expire (as happens for all intellectual works) and demanding the payment of taxes on patents as if they were commercial inventions. <https://www.spawhe.eu/phosphor-removal-from-detergents-wastewater-and-greywater-recycling-system-for-flushing-toilets/>

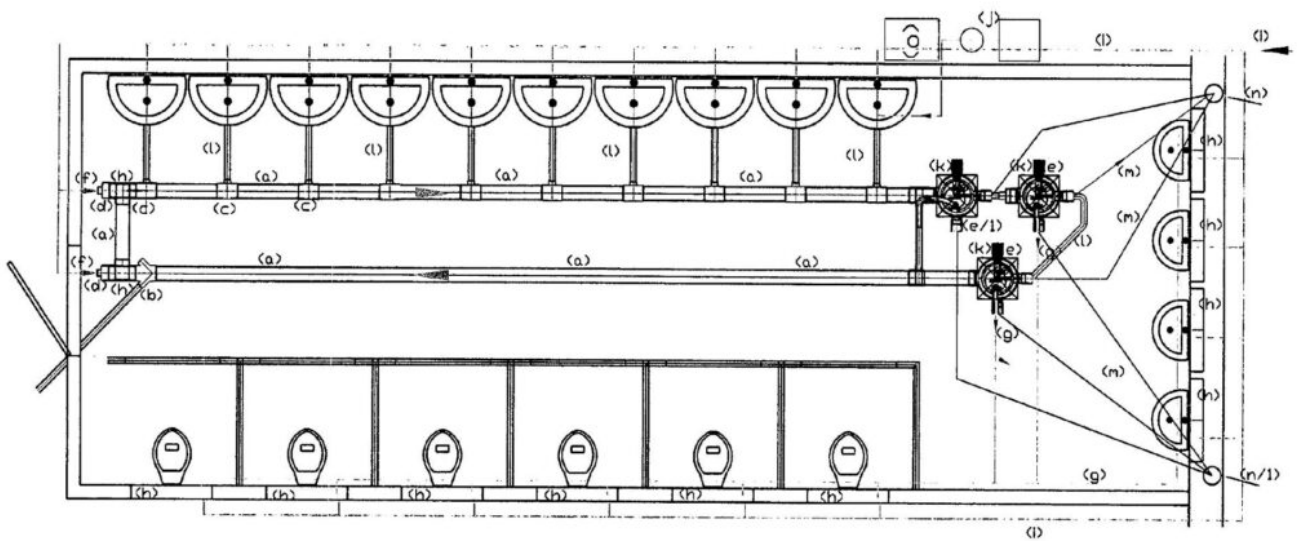
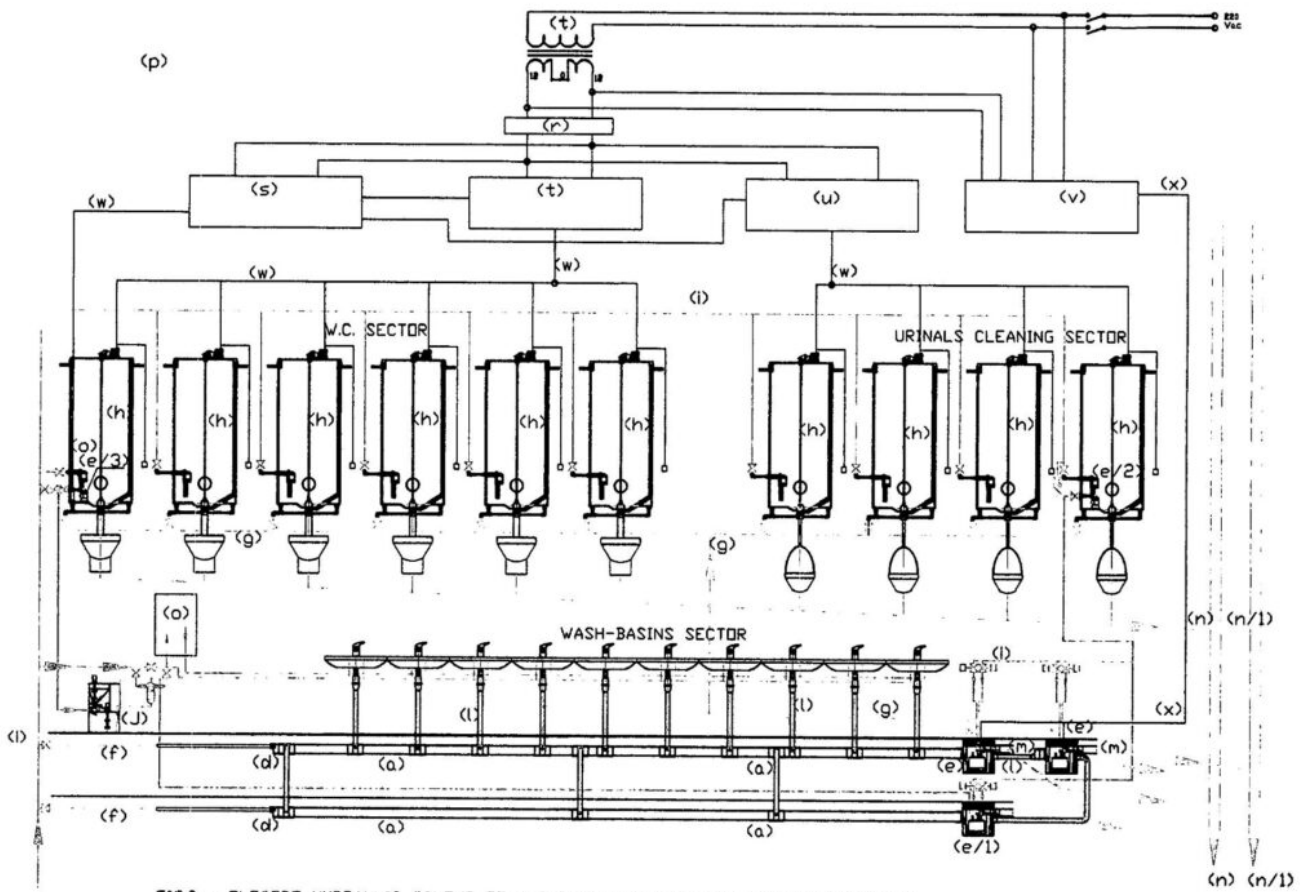


FIG.1 - LAYOUT OF A WATER RECLAIM SYSTEM WITH MAXI BOXES FOR A PUBLIC PLACE

Layout di un sistema di recupero e depurazione acqua per servizi igienici con maxi box per un luogo pubblico -Layout of a water recovery and purification system for toilets with maxi boxes for a public place



Schema elettroidraulico di un sistema di recupero e depurazione acqua per servizi igienici con maxi box per un luogo pubblico -Electro-hydraulic diagram of a water recovery and purification system for toilets with maxi boxes for a public place

PROSPETTO MODULO A
DOMANDA DI BREVETTO PER INVENZIONE INDUSTRIALE

NUMERO DI DOMANDA:

EE 2012 A00008

DATA DI DEPOSITO:

19/11/12

A. RICHIEDENTE/I COGNOME E NOME o DENOMINAZIONE, RESIDENZA o STATO ;
 PEZONIE LUIGI ANTONIO RESIDENTE IN VIA CASERTA, PARCO VERDE, N.5 - SANTA MARIA CAPUA VETERE - CASERTA - ITALIA

C. TITOLO

CIMINIERE DI CATTURA, RAFFREDDAMENTO E DEPURAZIONE FUMI

E. CLASSE PROPOSTA

SEZIONE

CLASSE

SOTTOCLASSE

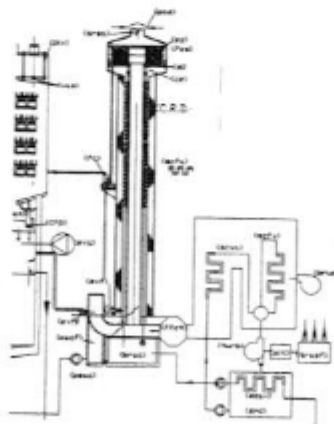
GRUPPO

SOTTOGRUPPO

O. RIASSUNTO

Allo stato dell'arte le ciminiere sono una semplice via di fuga dei fumi verso l'atmosfera, essendo la depurazione dei fumi delegata ai sistemi di filtraggio incorporati negli impianti termici, in genere, costituiti da filtri a ciclone ed elettrostatici, mentre il raffreddamento dei fumi è affidato, in parte a scambiatori di calore che preriscaldano l'aria comburente che alimenta i bruciatori o focolai e in parte all'altezza della ciminiera. Il CO₂, non può essere eliminato dai sistemi di filtraggio, pertanto, le ciminiere, sono progettate e dimensionate soltanto in base a dei principi fisici che regolano la fuoriuscita dell'aria attraverso una sezione di passaggio, più o meno lunga, in funzione della differenza di temperatura tra l'interno e l'esterno e della portata di fumi da evacuare. Il sottoscritto, invece, affida alle ciminiere il compito di recupero del CO₂ e del calore da sfruttare ai fini ambientali ed energetici trasformando gli impianti termici attuali in impianti di "depuracogenerazione termoelettrica globale. Le ciminiere (CRD), pur continuando ad essere dimensionate con i criteri attuali per l'evacuazione dei fumi dai focolai termici, naturale o forzata, saranno modificate a partire dall'estremità superiore della canna fumaria per riportare verso il basso i fumi e in questo percorso di discesa consentiranno una ulteriore filtrazione e un ulteriore raffreddamento per la cessione di una parte del calore all'acqua che sarà impiegata nel processo successivo insieme ai fumi stessi e al CO₂. Le nuove ciminiere assomiglieranno a una torre piezometrica non emetteranno CO₂ e gas tossici nell'atmosfera, ma richiameranno al loro interno aria atmosferica che contribuirà al raffreddamento.

P. DISEGNO PRINCIPALE



FIRMA DEL / DEI
 RICHIEDENTE / I

Pezonie Luigi Antonio

**Ciminiera di cattura raffreddamento e depurazione fumi -
 Cooling capture chimney for fume**

PROSPETTO MODULO A
DOMANDA DI BREVETTO PER INVENZIONE INDUSTRIALE

NUMERO DI DOMANDA: EE2012A000009 DATA DI DEPOSITO: 19/11/12

A. RICHIEDENTE/ COGNOME E NOME O DENOMINAZIONE, RESIDENZA O STATO .
 PEZONE LUIGI ANTONIO RESIDENTE IN VIA CASERTA, PARCO VERDE, N 5 - SANTA MARIA CAPUA VETERE - CASERTA - ITALIA

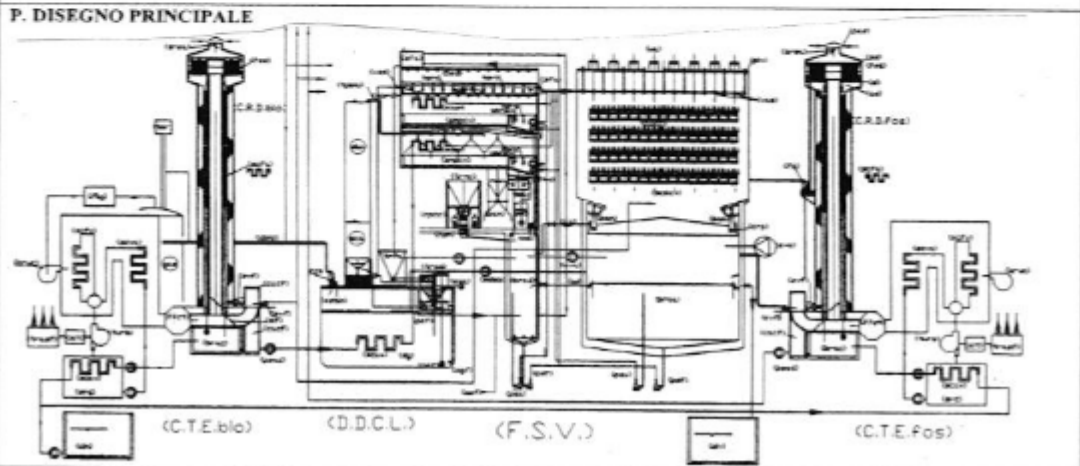
C. TITOLO
 IMPIANTO SINERGICO DI DEPURCOGEPRODUZIONE TERMOELETRICA COPERTA GLOBALE (D.C.P.T.C.G.)

E. CLASSE PROPOSTA

SEZIONE	CLASSE	SOTTOCLASSE	GRUPPO	SOTTOGRUPPO
<input type="checkbox"/>	<input type="checkbox"/>	<input type="checkbox"/>	<input type="checkbox"/>	<input type="checkbox"/>

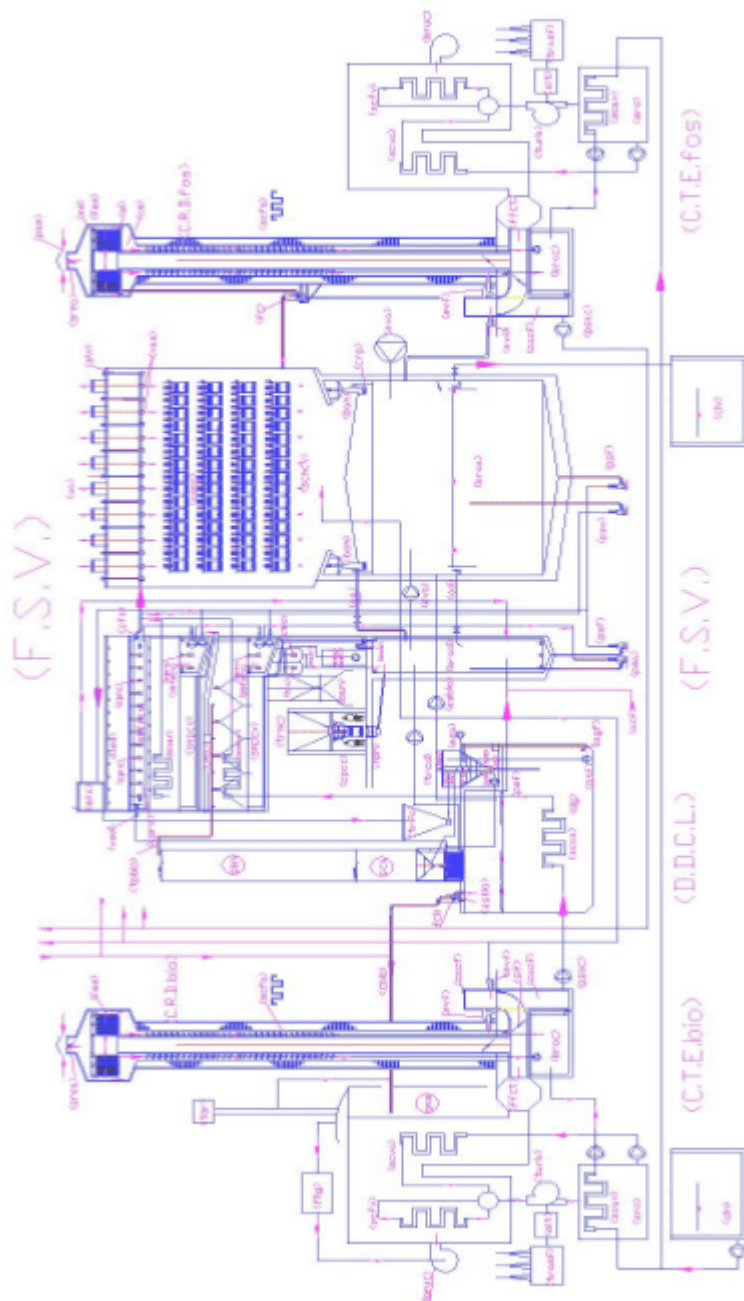
O. RIASSUNTO

Allo stato dell'arte gli impianti termici e le centrali termoelettriche, sono una grande fonte di inquinamento dell'atmosfera per le sostanze tossiche emesse e anche fonte di sprechi economici per il calore disperso e non recuperato. L'invenzione del sottoscritto denominata "depurcogeproduzione termoelettrica globale" (D.C.P.T.C.G.) recupera queste risorse, aumenta i rendimenti, rende pulita l'energia, depura e alcalinizza o desalinizza tutte le acque che attraversano l'impianto. Il sistema si basa sull'allargamento di questi impianti con nuove sezioni in modo da poter sfruttare il calore e il CO2 che producono. Fanno parte di queste nuove sezioni le ciminiere C.R.D. che riportano verso il basso i fumi contribuendo alla filtrazione e al raffreddamento, i fabbricati D.D.C.L. che sfruttano il calore contenuto nelle acque per riscaldare grandi digestori anaerobici producendo biogas e compost per l'agricoltura di alta qualità; i fabbricati F.S.V. che consumando il CO2 e il calore residuo producono biomasse energetiche e fanghi, che saranno trasferiti agli stessi D.D.C.L. Nei F.S.V. il CO2 sarà usato anche per la carbonatazione a freddo di rocce calcaree immagazzinate su più piani in appositi cestelli pensili carrellati. E' il continuo riciclo delle acque tra la sezione calcarea (sbcmv) e quella depurativa (sbfcv) a consentire il maggior assorbimento del CO2. Piogge di acqua depurate ed eventualmente desalinizzate da cestelli mobili riempiti con resine di scambio ionico, trascineranno nei bacini acquatici sottostanti i carbonati prodotti dalla corrosione delle rocce che saranno rinnovate periodicamente.



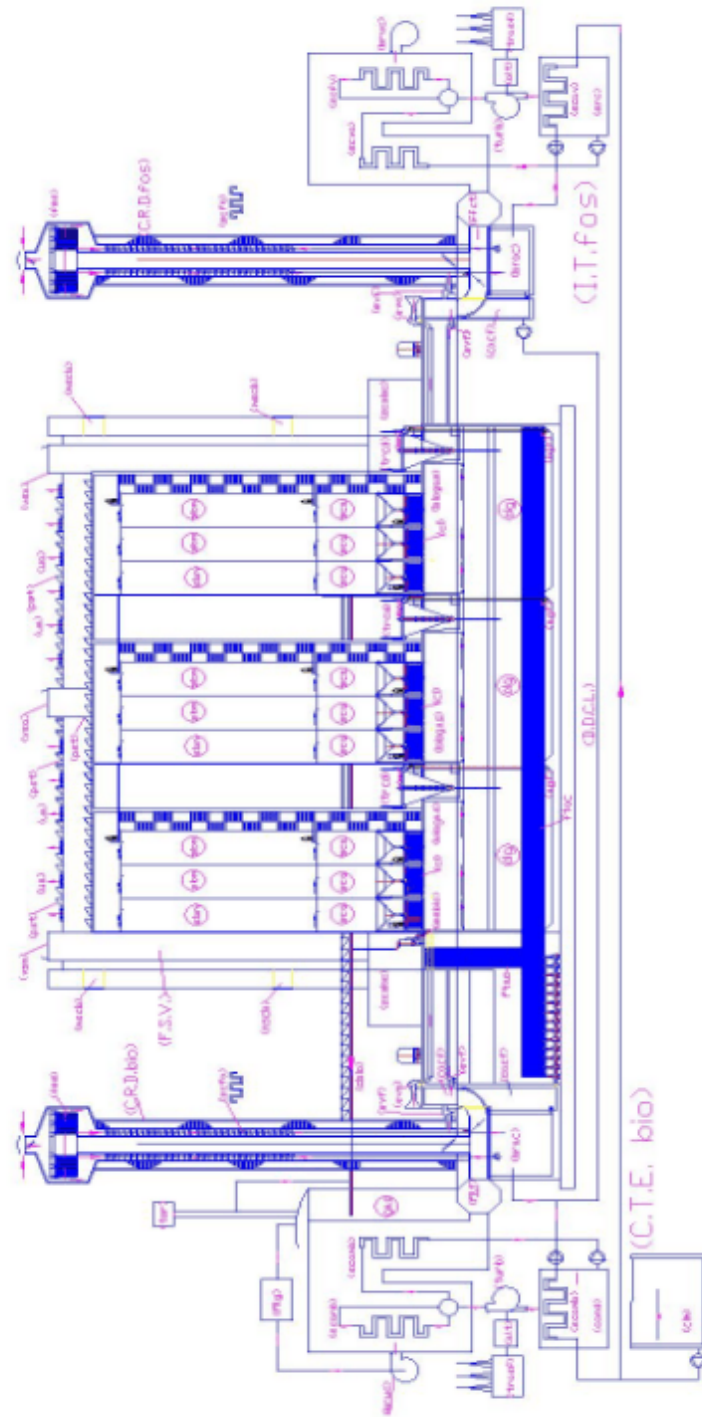
FIRMA DEL / DEI RICHIEDENTE / I *Pezone Luigi Antonio*

Impianto sinergico di depurcogeproduzione termoelettrica coperta globale – Synergistic global indoor thermoelectric purification and production plant.



Schema di flusso impianto di depurcoegeproduzione termoelettrica coperta globale D.C.P.T.C.G.

Schema di flusso impianto di depurcoegeproduzione termoelettrica globale – Flowchart of global thermoelectric production purification plant



SEZIONE LONGITUDINALE IMPIANTO DI DEPURCOEPRODUZIONE COPERTA GLOBALE SUL SETTORE D.I.C.L.

Sezione longitudinale impianto di depurcoeptoduzione coperta globale – Longitudinal section of global indoor sewage treatment plant

PROSPETTO MODULO A
DOMANDA DI BREVETTO PER INVENZIONE INDUSTRIALE

NUMERO DI DOMANDA:	GF2008A00008	DATA DI DEPOSITO:	15 - 09 - 2009
--------------------	--------------	-------------------	----------------

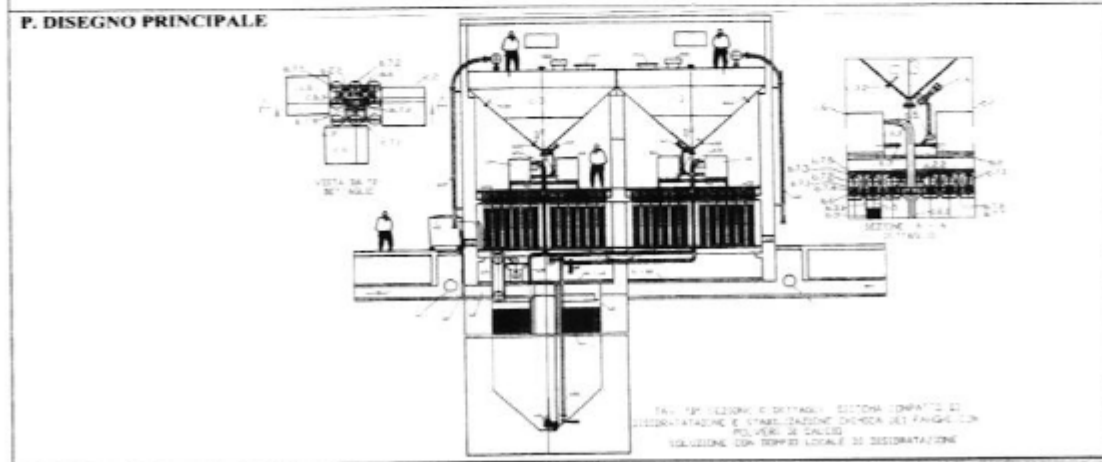
A. RICHIEDENTE/I COGNOME E NOME O DENOMINAZIONE, RESIDENZA O STATO :
PEZONE LUIGI ANTONIO RESIDENTE IN VIA CASERTA PARCO VERDE - SANTA MARIA CAPUA VETERE - CASERTA - ITALIA

C. TITOLO
SISTEMA COMBINATO DI SEDIMENTAZIONE, DISIDRATAZIONE, STABILIZZAZIONE CHIMICA DEI FANGHI CON POLVERI DI CALCIO

SOTTOGRUPPO	SEZIONE	CLASSE	SOTTOCLASSE	GRUPPO

E. CLASSE PROPOSTA

O. RIASSUNTO
I depuratori, nella maggioranza dei casi, sono distanti molti chilometri dal punto di scarico in fogna. Il trasferimento dei liquami, dallo scarico al trattamento, aggrava la degenerazione dei liquami per l'assenza di ossigeno nelle fognature. Per trasportare a distanza il liquame è necessario alleggerirlo di parte delle sostanze sospese e materiali organici in grado di alimentare i batteri anaerobici che provocano le decomposizioni. Il sottoscritto propone degli impianti compatti, sviluppati in verticale, in versione stabile (C.S.M.T.) o mobile (M.T.C) (in container), che avranno la parte sottostante (sedimentazione) fissa, inserita nella linea fognaria. La parte superiore sarà in grado di trattare, con pochissimo ingombro, i fanghi sedimentati fino alla stabilizzazione e di aerare l'acqua in uscita. Allo stato dell'arte non esistono impianti concepiti con le tecniche utilizzate dal sottoscritto che, a parità di trattamenti eseguiti, consentono di occupare spazi decine di volte inferiori rispetto ai sistemi attualmente conosciuti. Ciò è dovuto, in particolare, al concepimento di una vasca di distribuzione dei fanghi che utilizza centinaia di galleggianti per aprire e chiudere i punti di immissione dei fanghi liquidi e alla somministrazione a secco della calce diluita in aria che si miscela nei fanghi direttamente nei contenitori drenanti finali e ai lunghissimi tempi di contatto che il sistema consente. Con una sola somministrazione in posizione strategica possiamo ottenere effetti coagulanti, disidratanti e stabilizzanti. A ciò bisogna aggiungere che non si producono cattivi odori e biogas, dannoso per l'ozono stratosferico.



FIRMA DEL / DEI RICHIEDENTE / I
Pezone Luigi Antonio

Sistema combinato di sedimentazione, disidratazione, stabilizzazione chimica dei fanghi con polveri di calcio - Combined system of sedimentation, dehydration, chemical stabilization of sludge with calcium powders

PROSPETTO MODULO A

DOMANDA DI BREVETTO PER INVENZIONE INDUSTRIALE

NUMERO DI DOMANDA:

Ce 2009A 00000

DATA DI DEPOSITO:

28 - 10 - 2009

A. RICHIEDENTE/I COGNOME e NOME o DENOMINAZIONE, RESIDENZA o STATO :

PEZONE LUIGI ANTONIO RESIDENTE IN VIA CASERTA PARCO VERDE - SANTAMARIA CAPUA VETERE - CASERTA - ITALIA

C. TITOLO

AUTOBOTTE PER ESPURGHII CON DISIDRATAZIONE E STABILIZZAZIONE CHIMICA DEI FANGHI CON POLVERI DI CALCIO

DOMANDA DI BREVETTO PENDENTE

SOTTOCLASSE

SEZIONE

CLASSE

SOTTOCLASSE

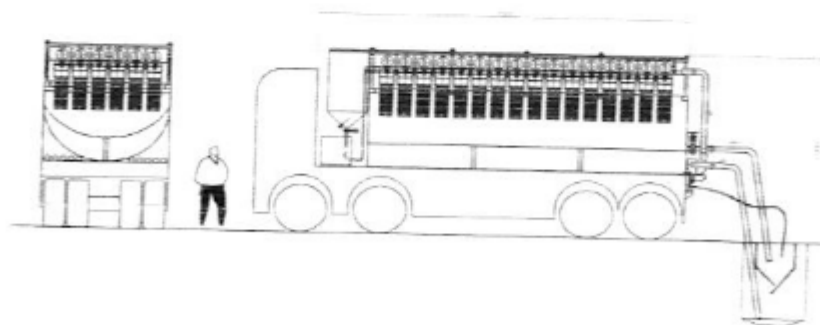
GRUPPO

E. CLASSE PROPOSTA

O. RIASSUNTO

Il liquame trasportato dalle autobotti ai depuratori, proveniente da fosse imhoff, fosse settiche, pulizie fognarie fognarie, ecc. ha un contenuto di fango inferiore al 2%. Di questo fango, almeno il 98 % è acqua. Quindi per trasportare al depuratore un kg di fango secco siamo costretti a trasportare circa 2500 litri di liquame fangoso. Il sottoscritto, avendo già depositato una domanda di brevetto per un sistema di sedimentazione e stabilizzazione dei fanghi con polveri di calcio applicabile anche a piccoli impianti di sedimentazione depurazione (deposito n. Ce2009A/000008 del 15/09/2009) ritiene applicabile lo stesso sistema anche nelle autobotti di espurgo. Questa applicazione, a parità di fango trasportato, consentirà di ridurre il numero dei trasporti di circa 88 volte, abbattendone i costi al di sopra di ogni aspettativa. Il sistema ridurrà anche i costi di depurazione alleggerendo il carico di lavoro degli impianti, favorirà la depurazione locale sostenibile, favorirà l'inserimento lungo la linea fognaria di sedimentatori statici con pacchi lamellari, che senza nessun impatto ambientale terranno pulite le fogne non consentendo lo sviluppo di idrogeno solforato e la degenerazione del liquame prima dell'arrivo ai depuratori. Gli stessi impianti di depurazione potrebbero concludere i cicli depurativi (primari, secondari e terziari) con dei sedimentatori senza ispessimento disidratazione e digestione e trovarsi il fango già caricato sul mezzo di trasporto senza costi impiantistici e gestionali, senza produrre biogas.

P. DISEGNO PRINCIPALE

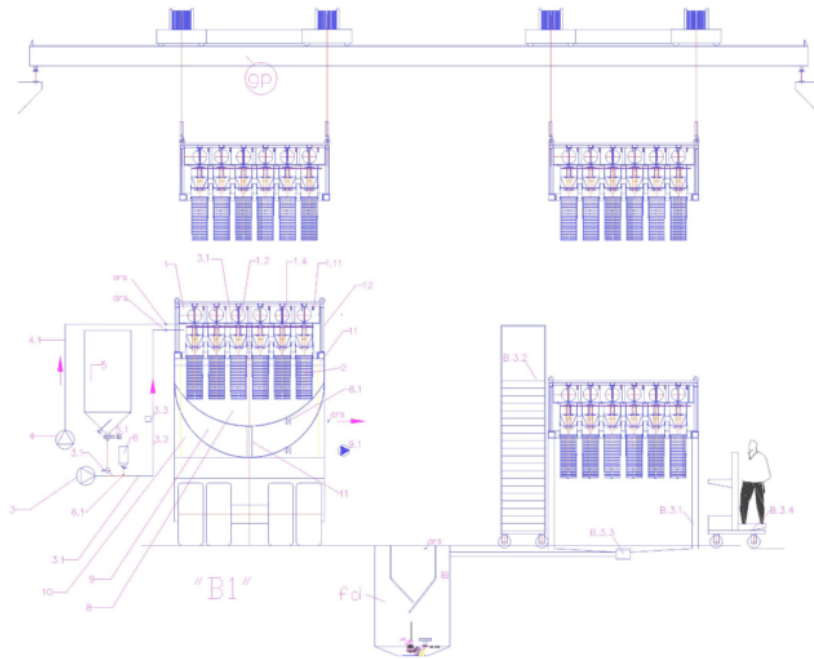


FIRMA DEL / DEI
RICHIEDENTE / I

Pezone Luigi Antonio

Autobotte per espurgo con disidratazione e stabilizzazione chimica dei fanghi con polveri di calcio - Tanker for drainage with dehydration and chemical stabilization of sludge with calcium powders

N. Demand patent CE2009A000009 date september 29 2009



MOBIL CHEMICAL DEHIDRATATION e STABILIZATION WITH CALCIUM MCDC
STATION DRAINAGE BAG REMOVAL

Sistema mobile di disidratazione e stabilizzazione fanghi con polveri di calcio in sacchi drenanti Mobile sludge dehydration and stabilization system with calcium powders in draining bags

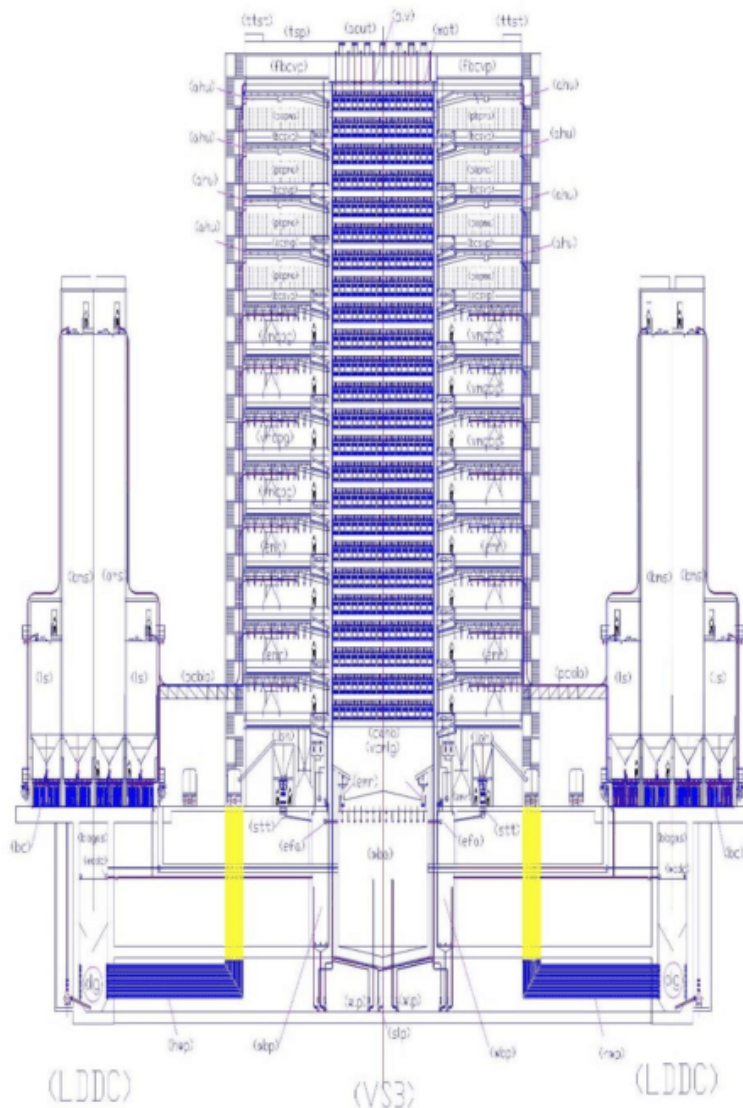


FIG. 4

CROSS SECTION ON LINEAR SEDIMENTATOR COMPOSTER DEHYDRATOR,
OVERLAPPING BIOLOGIC PONDS AND LIMESTONE GREEN HOUSE TO
CONSUME CO2 PRODUCING ALKALINE WATER

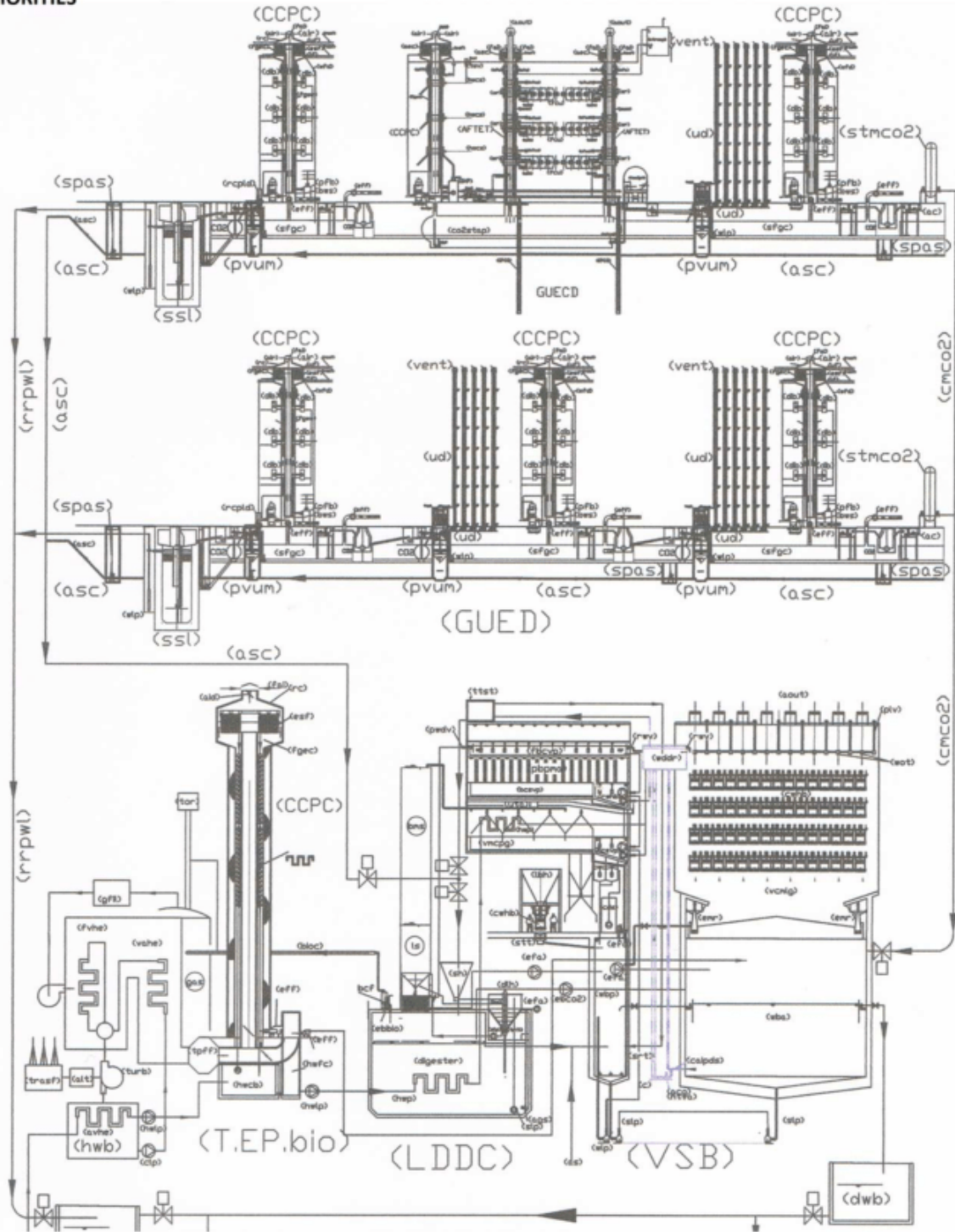
LEGEND

LDDC (linear digester dehydrator composter); ebco2 (electroblower for CO2); ls (line slo); bc (cogged compost); wdc (water overflow and drainage channels); ons (oliaross slo); oih (digester loading hopper); hsp (hot water pipes); VS3 (vertical synergetic building); auu (air handling units); wba (water basin to be alkalize); wcp (water basin to be purified); bcsvp (biological covered superimposed ponds); vncpg (vertical mechanized covered production greenhouse); ptprn (photobioreactors for the production of microalgae); fbcvp (fine biological covered vertical pond); ttst (transit tank of sludge to be thickened); pdv (purified water drain valve); rrv (recycle water valve); wip (water lift pump); slp (sludgelift pump); wot (water overflow tray); efa (electric fan for air); enr (equipped motorized rack); vncpg (vertical covered mechanized limestone greenhouse); cwlb (calcareous wheeled hanging baskets); acut (air outlet); p.v (pluvial for water rain); pcob (pneumatic conveying biomass)

Sezione trasversale fabbricato lineare di produzione ortaggi con stagni biologici sovrapposti, sedimentatori, disidratatori consumo di CO2 e alcalinizzatori di acqua in serre calcaree – Cross section of linear vegetable production building with

superimposed biological ponds, sedimentation tanks, CO2 consumption dehydrators and water alkalizers in limestone greenhouses

THE INTERACTIVE FOSSIL GLOBAL ENERGY DEAD IN THE BAND KILLED BY THE SILENCE OF THE ENVIRONMENTAL AUTHORITIES

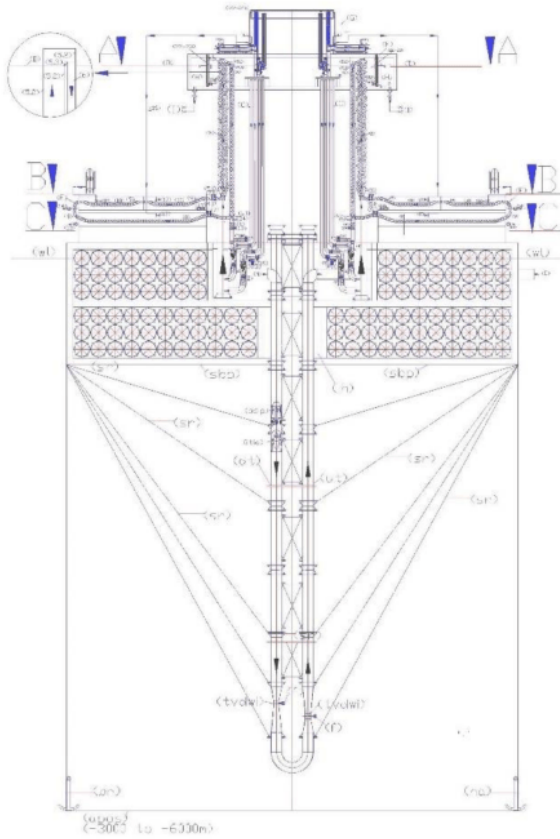


WWW.SPAWHE.EU

This figure represents the fossil interactive energy that could be created by modifying the chimneys and the urban plants, described in the old initial page of <http://www.spawhe>. To economize this system is born the interactive compressed hydroelectric energy, which does not emits pollution and CO2 and can be mounted even on means of transport, which is described in the new home page of <http://www.spawhe>. These two models of universal development, sustainable and protective of the environment were developed by a Neapolitan inventor, but ignored both by the world environmental authorities. On the other hand, UNESCO has recognized Neapolitan pizza as a World Heritage. The Neapolitans can not have both awards.

ARTIFICIAL WELLING

THE INTERACTIVE SYSTEM TO COMBAT ACIDIFICATION OF OCEANS PRODUCING DISSALATIONS, ENERGY, FOOD AND WORK.



The state of the art in the development of desalination and demineralization treatment of marine and brackish water has been affected, along with industrial systems, purification, energy, food and protective of the environment, the absence of synergies between the pumps and hydraulic turbines and from the incorrect approach with the gravitational force, which must not be won by the hydraulic lifting but sustained, with one-way movement of water, especially in the gravitational direction, in the sea, in large basins, in open tanks. With simply overturned pumps coupled to the turbines can produce low-cost all the energy you need; continuing the descent and ascent of water in deep waters, for the venturi effect, we can suck and lift small percentages of deep water with high calcium and carbon percentage solubilized in them, that arrived at the surface, producing phytoplankton and alkalinity, increasing the abundance of fish and combating acidification and global warming; while on the floating platform, made with extruded and ribbed tubes made of low density polyethylene, blown in them polystyrene foam to make them unsinkable, with the triple synergy between the dual fuel pumps, turbines and the marine water recycling, by applying known hydraulic principles for centuries, as that of communicating vessels, the laws of Bernoulli and Pascal, placing, strategically, the electric double suction pump between a high positive hydraulic head and the turbines, we can desalinate large quantities of water, simply transforming a vertical tube in a ionic exchanger and recycling pipes and mixing in the energy producers, while the anionic and cationic synthetic resins, circulating contained in perforated polyethylene spheres as sieves. These spheres, floating climbing ion exchanger and descend for gravity emptying water in downhill tubes. By means of diverters change the path compared to the flow to be immersed in the washing tanks and regeneration of the resins, and reinserted again, indefinitely, in ion exchange circuit without interruption of the desalination cycle and energy production and without costs for heating the water or replace the membranes. If we want to exploit the immense riches of the sea, floating solutions have no alternative. The systems must be designed supported from above, since it cannot exist electromechanical equipment that can work to the abyssal depths. The sustainability of global systems is not only based on high technologies and special materials but above all on the physical basic principles, chemical, hydraulic and mechanical. The first problem that could face this solution is to provide a home and a job to migrant peoples fleeing war and hunger.

FLOATING SYSTEM, HYDROELECTRIC, DESALTER, EXTRACTOR OF CALCIUM AND CARBON FROM MARINE DEEP WATER.
<http://www.spawhe.eu>

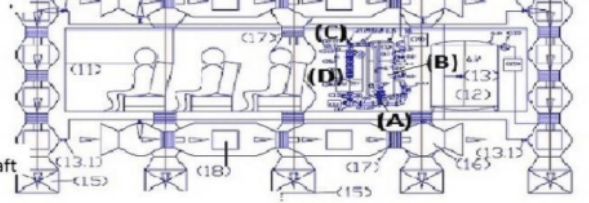
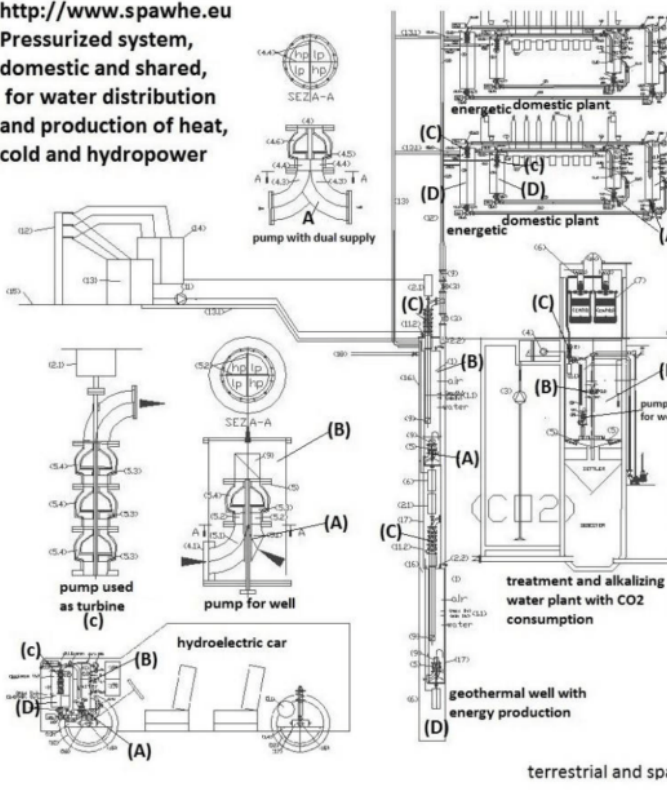
COMPRESSED AIR IS MORE POWERFUL AND ECONOMIC OF HYDROGEN

What is hydrogen in transport? Hydrogen is a chemical energy vector, which is used to produce mechanical energy through the combustion chamber of an almost common thermal engine, or reacted with oxygen to instantly produce the electrical energy needed to push an electric motor. Therefore, there are two types of hydrogen engines:

HICEV: acronym for Hydrogen Internal Combustion Engine Vehicle, as a vehicle with hydrogen-powered internal combustion engine.
 FCEV: acronym of Fuel Cell Electric Vehicle, where hydrogen is used for the immediate production of electricity that feeds the electric engine.

In both cases hydrogen (which is not found in nature but must be produced, with high costs, extracting it from fossil energy or water electrolysis) to be used on transport means must be compressed due to low energy density on a volumetric basis, and distributed by plants specially designed and diffuse throughout the territory. It must be transferred to high pressure (700 bar) on (A) means of transport and consumed to produce energy in the aforementioned HICEV and FCEV systems. Instead, compressed air does not cost anything and is not consumed, because it uses only the static pressure, working like a spring (<http://www.spawhe.eu/hydroelectric-power-auto-with-torque-peripheral-to-the-wheels/>, <http://www.spawhe.eu/aerospatial-pressurized-hydroelectric-transport-system/>): the energy produces water or hydraulic oil that have a medium density eight hundred times higher than air and 10,000 times higher than hydrogen, it circulates using the principles of Pascal and Torricelli, which feed a pump used as a hydraulic turbine connected to an alternator. The discharged fluid from turbine is inserted back into the pressurized recycle circuit with the compressed air by means of the pump with the separate dual supply until the impeller, which is the most powerful energy invention of all time, although it is also the simplest: just modify a pump with an existing closed impeller (for other less powerful applications, open impellers are also good). As a result we do not need an expensive hydrogen distribution network nationally and globally, because we have an almost infinite autonomy of exercise, consuming only the air that dissolves in the liquid by the principle of Henry. Moreover, the compressed air can be used under any pressure for other purifying and energetic uses, as shown in the attached figure. The world's ruling class has lost its mind since the advent of the industrial era, wanting to charge the energy that costs nothing to users at all costs. For this reason I do not claim industrial property on compressed hydropower, but I expect the world to recognize the copyright that is recognized by all authors of works of intellect if and when in the world science and justice will work together in the interests of all.

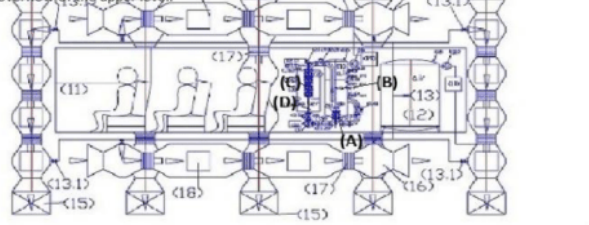
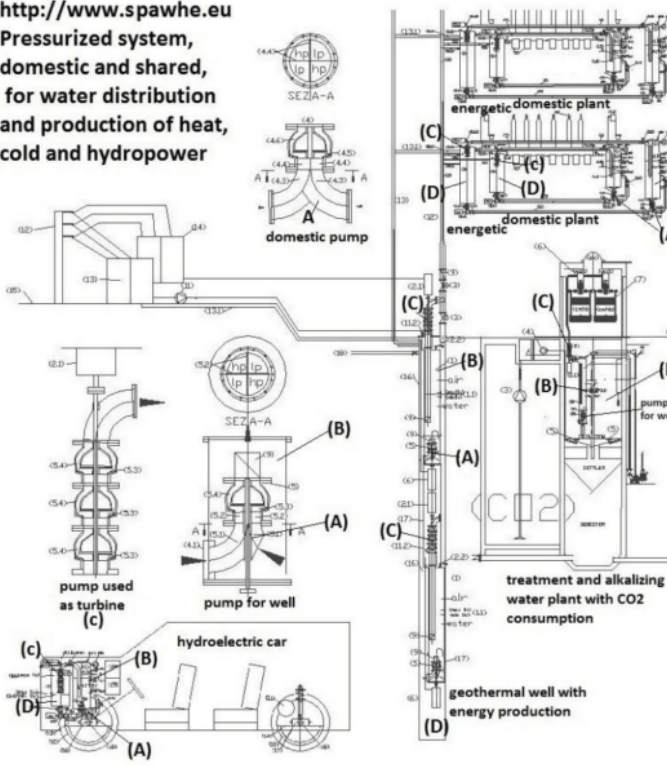
<http://www.spawhe.eu>
**Pressurized system,
 domestic and shared,
 for water distribution
 and production of heat,
 cold and hydropower**



A)
<http://www.spawhe.eu>
**Pressurized system,
 domestic and shared,
 for water distribution
 and production of heat,
 cold and hydropower**

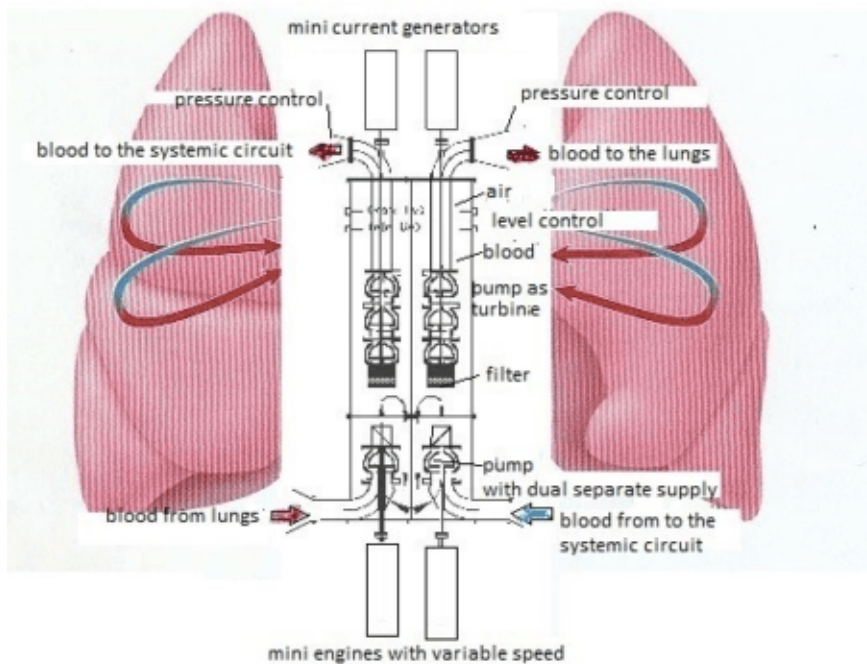
ARCHIMEDES WAS WRONG, BUT THE SCIENCE HAS NEVER CORRECT HIM.

What we wanted to understand, at least the industrial era that saw the birth together, pumps, turbines, compressors, hydraulic, pneumatic, that the best way to overcome the force of gravity is to go around it, using the same tools that gravity does it make us available? This we can do especially water, using hydraulic circuits intubated that by putting in series pumps and turbines, exploiting the energy of the water surface position with respect to the one below to produce submerged hydroelectric power. But we can also do it in the atmosphere by changing the hydraulic systems and lift pumps. In this case, we must use the pumps with the dual supply until to the impeller. These pumps bring the water to be lifted into the central part of the same impeller and the per already raised, by means of two distinctly separate feedings, up to the entry into the impeller. When the impeller rotates, add up the two flow rates, while, for the principle of Pascal, stabilizes a single pressure in suction and delivery (apart from the side connected to the water to be lifted connected by means of a one-way valve). As a result, during operation, the water to be lifted enters from the overflow of the upper level. In the already raised water recycling circuit, this implies that from the overflow of the upper tank from spilling out the same amount of water that enters, which feeds back the lower reservoir exploiting the geodetic top water energy of the upper water. Obviously, if we put a hydraulic turbine at the output of the downhill pipe, we exploit the $\frac{1}{2} m V^2$ produced by kinetic energy, where V is equal to the square root of H height according to Torricelli's principle. While the water that entered, the low-pressure pump impeller consumed only the energy of a few centimeters of water column to overcome the losses in the inlet valve. In fact, all centrifugal pumps in the center of the impeller create a depression that enters the water, which is pressurized in the same impeller as it moves away from the center. In pumps with the dual separate supply, the impeller receives alternately in the same sector, water in the high and low pressure, ranging in the same direction, therefore prevails Pascal effect and the exit of the impeller we have only the greater pressure. Since the water entering the recycle circuit already full is of the same density as the existing one, it does not consume energy to circulate because the amount of water that has entered the pump comes out of the overflow of the upper level.

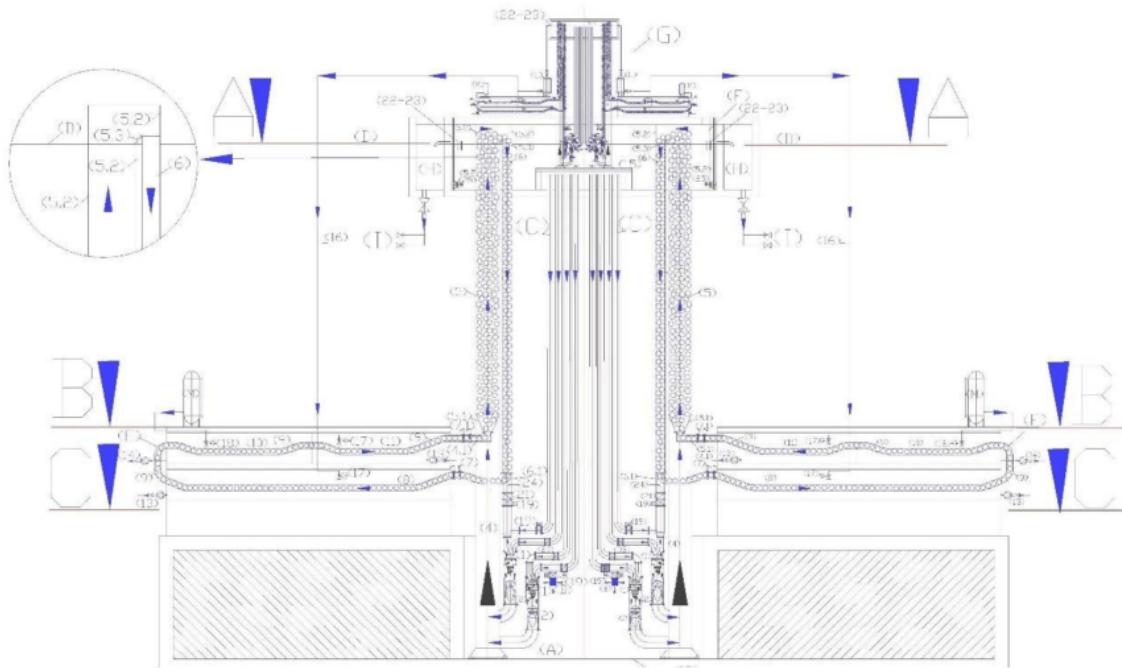


AEROSPATIAL VEHICLE WITH INTERNAL ELECTRICITY PRODUCTION, POWER SUPPLY OF TURBOFANS IN SERIES AND COMPRESSED AIR INJECTION IN THE SAME TO TRAVEL IN THE SPACE

ARTIFICIAL HEART OXYGENATOR OF BLOOD, ENERGETICALLY AUTONOMOUS.



The artificial heart of man, proposed in this patent deposit, closes the circle of sustainable energy based on the only physical principle possible in every remote corner of the Earth: the bypass of the force of gravity and of the elastic pressure of the air that it can be realized everywhere, even in the man's chest, using pumps with the double supply separated until to the impeller, which science, industrialists and world legislators pretend to ignore in order not to admit that they have wronged the entire industrial and economic development. Everything would have been simpler, cleaner and cheaper if this invention had taken place a hundred years earlier, as it could have been. The artificial human heart is the miniaturized version of the autoclave system, already reduced, to make it enter the wells' shirts, to purify the water producing energy. Entering the chest of the man to purify the blood producing the energy needed by the brain is not much different from expected for the wells. They serve two mini parallel autoclave systems that replace the right and left atria ventricles. The two pumps that feed them, with the double supply separated until to the impeller, allowing the balance of the hydrostatic thrust in suction and delivery, allow to get the blood coming from the systemic circulation in the mini autoclave on the right and the one coming from the lungs in that left, bypassing the compressed air pressure. This system works autonomously because the mini autoclave ejects at the same instant the quantity of blood equal to the one that enters, due to the principle of impenetrability of the bodies, through a mini pump used as a turbine connected to a direct current generator. The energy spent by the pump motor is about a tenth of the energy produced by the generator. This allows us to have enough energy available to produce the amount of compressed air necessary to the autoclave and the management of an electronic control unit that with a three-word voice command: "rest, normal, fast" manages the flow and the blood pressure according to the physical activity that it carries out. Although it is the air pressure that circulates the blood in the pump used as a turbine, since the circulation is one-way, apart from air solubilized in the blood with purifying effects, there is no other consumption of compressed air because it is exploited statically and not even electricity to produce it. Although it is the air pressure that circulates the blood in the pump used as a turbine, since the circulation is one-way, apart from the solubilized air in the blood with purifying effects, there is no other consumption of compressed air and electric energy. As published on <http://www.spawhe.eu>, this solution was found by myself after many years spent trying to improve the purification systems of water and air and many patents filed in vain. However, the study served to ascertain that world science has identified single and incomplete scientific principles, which used singly have polluted and warmed the planet. Only with the invention of the pumps with the double power supply separated to the impeller, the undersigned has found the key of the problem. In fact, through it, the dynamic fluid used cold between water and air, especially compressed, would have produced energy protecting the environment, consuming only moderate wear of materials, with low operating temperatures, and air pressures used statically, which would circulate the incompressible liquid. This is the true principle of terrestrial energy that, unfortunately, has not been legislated by world science, which still ignores it, hoping that in addition to myself, no one notices it. Too late. They would have to admit their mistakes, before this energy, despite their silences, also entered the human heart, were, not only it can extend the life of man for many years. But when the other organs are too old, the brain system and the artificial heart. It may also be transferred into an artificial body, which we now call robots, but governed by the human brain and the accumulated knowledge throughout life that will continue to grow even after the death of the body. Reality can overcome fantasy because in no science fiction film this form of human survival has been hypothesized. If the human soul exists it is contained in the brain and its knowledge. It will not be humiliating for anyone to survive thanks to an artificial heart, cybernetic, and some syrup specially designed by nutritionists to be solubilized in small autoclaves that will replace the ventricular atria. When we are ready to do this. We will also be ready to conquer the infinite space. Not before. With our very short current life, we cannot go very far. (<http://www.spawhe.eu/artificial-heart-oxygenator-of-blood-energetically-autonomous/>).



VERTICAL DESALINATORS - DEMINERALIZERS BY ION EXCHANGE WITH HYDROELECTRIC ENERGY PRODUCTION. <http://www.spawhe.eu>

The state of the art in the development of desalination and demineralization treatment of marine and brackish water has been conditioned, as many other industrial systems, depuration, energy and protective of the environment, by the absence of synergies between the pumps and hydraulic turbines and from the incorrect approach to the gravitational force, which is not to be won by lifting hydraulic but sustained, with a one-way circulation of water in open reservoirs, upper seats that double as hydraulic backflow preventers. With the triple synergy between the dual supply pumps, turbines and recycling of water in an open vessel, applying hydraulic principles known for centuries, such as the principle of communicating vessels, the laws of Bernoulli and Pascal, strategically placing the electric double suction pumps between a high positive hydraulic head and the turbines, dimensioned for the exploitation of the same hydraulic load, the pumps, working with a balanced load, with a small energy consumption, they win the state of inertia, allowing the energy transformation of pressure of the intubate water column overlying the pump, into kinetic energy and transferring it to the turbines, which produce energy. These spheres, floating climbing ion exchanger and descend by gravity, emptying water in downhill tubes. By means of diverters change the path compared to the flow to be immersed in the washing tanks and regeneration of the resins, and reinserted again, indefinitely, in ion exchange circuit without interruption of the desalination cycle and energy production and without costs for heating the water or replace the membranes. The demineralized water serving for the washing of the resins is produced by continuing the process through a mini system completely similar to the main that part from the desalinated water tank. If men want to produce desalinated water in industrial quantities that serve humanity, also desalination plants, as purifiers and water lifting and distribution, must become producers of energy, not consumers, supporting, not opposing gravitational forces. The sustainability of global systems is not based on complicated technology but on synergies between simple and rational systems. The first problem that could tackle these plants is to send, low cost, high flow of water, with the right pH and mineral rich to the deserts near and far from the sea.

MINI DOMESTIC WATER PURIFICATION SYSTEM WITH HYDROELECTRIC ENERGY PRODUCTION

Italian patent application no. 102018000004864 of 04/26/2018

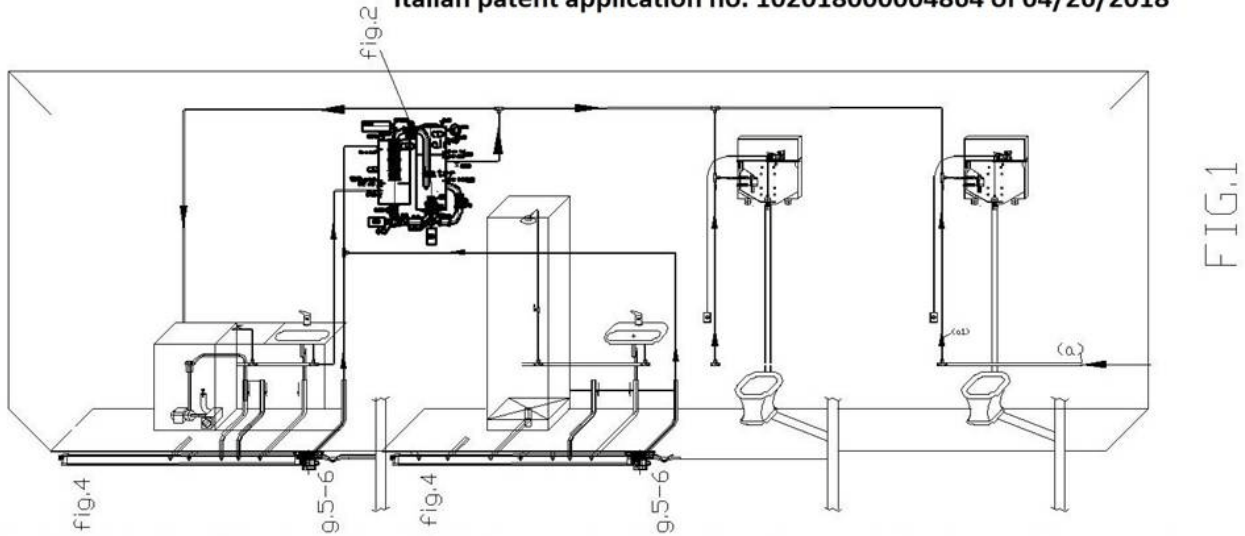
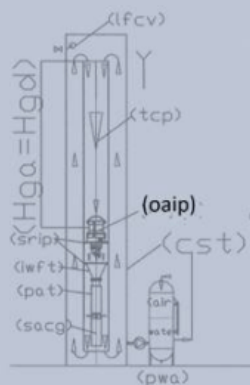


FIG.1

In homes and public places we can endlessly recycle unpolluted water from oils and greases, such as the one we use for personal hygiene and the rinse of the washing machine and dishwasher. This is recovered through a collection plant in the floor, which filters and lifts it. Poi, per mezzo di una pompa con la doppia alimentazione separata fino alla girante, è introdotta in un serbatoio autoclave pressurizzato con aria compressa che funziona da depuratore dissolvendo ossigeno nell'acqua per mezzo dei principi di Henry e Dalton. The water that comes out feeds a hydraulic turbine producing electrical energy returning to the autoclave, or feeding the washing machine and the toilets. This system will allow us to save almost 50% of the drinking water we consume, moreover, producing energy in our homes. It is possible thanks to the invention of pressurized hydroelectric energy that exploits the physical principles of water and air differently: the autoclave tank is inserted in series in the flow of water, which is one-way. The water enters from the bottom of the pressurized tank and exits sideways while the air cushion statically exerts pressure on the surface of the water, without making it expand, since the circuit is designed so that the water that enters is perfectly equal to the one that goes out. In fact, it is much cheaper to circulate the incompressible water to keep the pressure constant that allow the expansion of the volume of air and then compress it again, absorbing energy. The entry of water takes place despite the low prevalence of the circulation pump, thanks to the pressure stability that takes place in the impeller by means of the second feed which, at the same time, recycles the water of the autoclave. Obviously, the same amount of water introduced in this way is expelled at the same time as the tank is already full. But the expulsion of water takes place under high pressure without relieving the pressure of the air cushion, since it is stabilized by the same water that enters the same amount in low pressure. The water expelled from the autoclave by a separate outlet equipped with a pressure reducer feeds the domestic washing machine or flushes the toilets. Only this last is definitively discharged in sewer. This system will also be very useful on trains, campers, planes, ships, boats, submarines, airplanes, space ships, where the energy produced will also be used to power the vehicle.



(oaip) overturned axial intubated pump = pompa assiale capovolta intubata

(iwft) inlet water to feed turbine = alimentazione acqua per alimento turbina

(lfcv) level floating control valve = valvola a galleggiante di controllo livello

(pat) pump as turbine = pompa usata come turbina

(pwa) pump with autoclave = pompa con autoclave

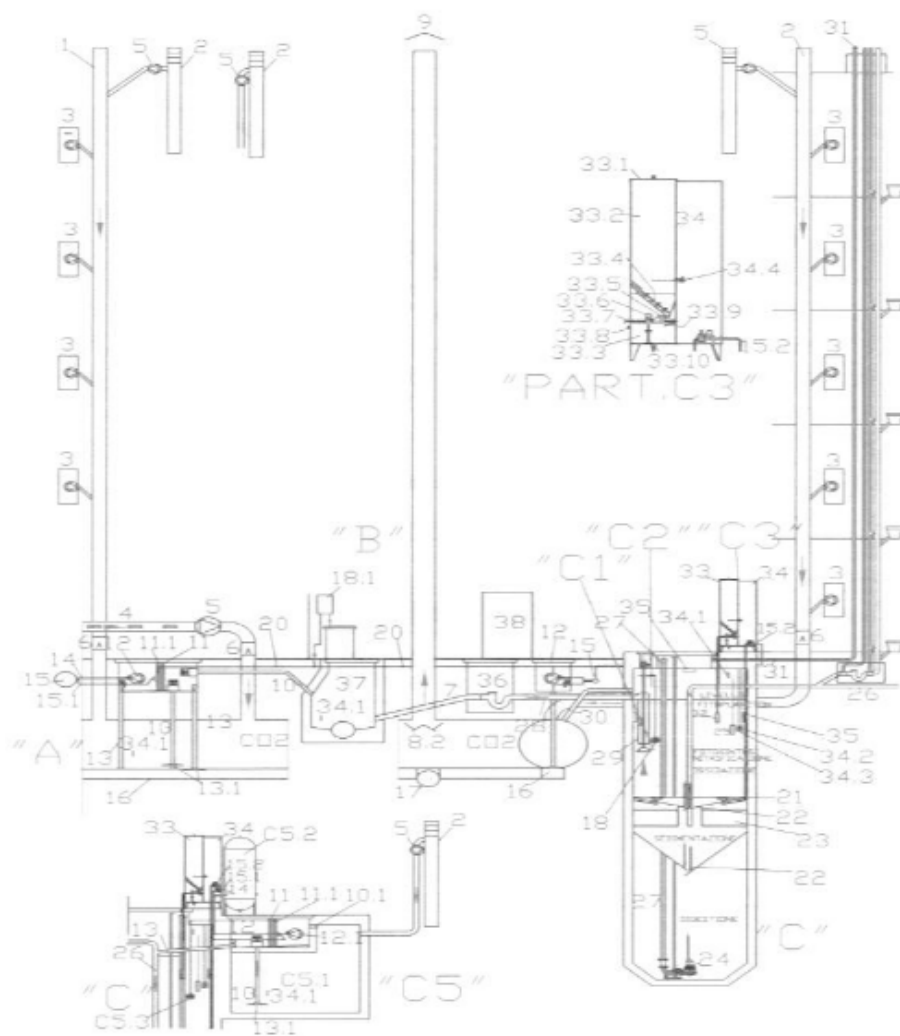
(sacg) submersible alternating current generator = generatore di corrente alternata sommersibile

(srp) support ring for intubate pump = anello di supporto per pompa intubata

condominium hydroelectric plant
 impianto idroelettrico condominiale

Come si vede dalla figura sopra riportata, persino l'acqua in attesa di essere consumata dai condomini e dalle abitazioni private, può produrre energia con mini pompe e mini turbine, o pompe usate come turbine (Pat). Supponiamo di realizzare in un tubo contenitore (cst) diametro di un metro che può essere facilmente incorporato nel fabbricato che sfrutta l'altezza utile $H_u = 10$ m nel tubo di discesa DN 300 (hdrt) incorporato nel tubo (cst). Supponendo che la portata dell'impianto sia $0,2$ m³/s, il rendimento della turbina sia $0,75$, applicando la stessa formula $P_u = \eta * 1000 * Q * H_u / 102$, abbiamo una produzione energetica di $14,6$ Kw ($0,75 * 1000 * 0,2 * 10 / 102$). Assegnando alla pompa una prevalenza di $0,2$ m e un rendimento $0,6$, la potenza assorbita dalla stessa, calcolata con la formula $0,2 * 1000 * 0,2 / 102 * 0,6 = 0,64$ KW. In questo caso il rapporto tra l'energia spesa e resa è $22,8$ ($14,6 / 0,64$). Le perdite di carico nel tubo di discesa, i pezzi speciali e le perdite allo sbocco, sono tutte assorbite dal battente positivo sulla pompa. Applicando le formule di Bazin, [dove P_{dc} in m/km = $1000 * 4 * V^2 / C^2 * D$, dove $C = 87 / (1 + 2\gamma / \sqrt{D})$, dove γ è il coefficiente medio di scabrezza = $0,16$]. Mentre la perdita di carico (pds) allo sbocco in m è $V^2 / 2g$. Queste perdite, se calcolate, per 10 metri di tubazione sono trascurabili e addebitabili al battente positivo sulla pompa

As shown in the figure above, even the water waiting to be consumed by condos and private homes, can produce energy with mini pumps and mini turbines, or pumps used as turbine (Pat). Suppose to realize in a container tube (cst) diameter of one meter that can be easily incorporated in the building that utilizes the useful height $H_u = 10$ m in descent DN 300 (HDRT) tube embedded in the tube (cst). Assuming that the system flow rate is 0.2 m³ / s, the turbine efficiency is 0.75 , applying the same formula $P_u = \eta * 1000 * Q * H_u / 102$, we have an energy output of 14.6 kW ($0.75 * 1000 * 0.2 * 10 / 102$). Assigning to the pump a prevalence of 0.2 m and a 0.6 output, the power absorbed by it, calculated by the formula $0.2 * 0.2 * 1000 / 102 * 0.6 = 0.64$ kW. In this case the ratio between the energy expenditure and yield is 22.8 ($14.6 / 0.64$). The load losses in the descent tube, the special pieces and losses at the outlet, are all absorbed by the positive head to the pump. By applying the formulas of Bazin, [where P_{dc} in m / km = $1000 * 4 * V^2 / C^2 * D$, where $C = 87 / (1 + 2\gamma / \sqrt{D})$, where γ is the average roughness coefficient = 0.16]. While the loss of load (pds) to the opening in m is $V^2 / 2g$. These losses, if calculated, for 10 meters d are very low and absorbed by positive head on the pump



TAV. 1A1 SCHEMA IMPIANTO DI DEPURAZIONE GLOBALE LOCALE URBANO
 CON SISTEMA DI CATTURA E NEUTRALIZZAZIONE DEL CO₂ E SO₂
 SOLUZIONE SENZA FILTRAZIONE ELETTROSTATICA

PROSPETTO MODULO A
DOMANDA DI BREVETTO PER INVENZIONE INDUSTRIALE

NUMERO DI DOMANDA:

Ce2010A000008

DATA DI DEPOSITO:

22-06-2010

A. RICHIEDENTE/I COGNOME E NOME O DENOMINAZIONE, RESIDENZA O STATO :

PERONE LUIGI ANTONIO RESIDENTE IN VIA CASERTA PARCO VERDE - SANTA MARIA CAPUA VETERE - CASERTA - ITALIA

C. TITOLO

SISTEMI DI DEPURAZIONE COPERTI PER ACQUE FLUVIALI E URBANE CON RECUPERO E NEUTRALIZZAZIONE DI CO2 E PRODUZIONE DI ENERGIA ELETTRICA SOLARE

SEZIONE

CLASSE

SOTTOCLASSE

GRUPPO

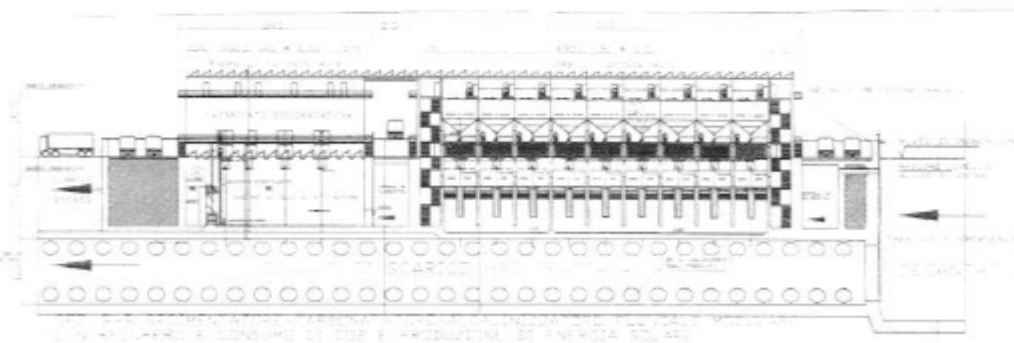
SOTTOLINFA

E. CLASSE PROPOSTA

O. RIASSUNTO

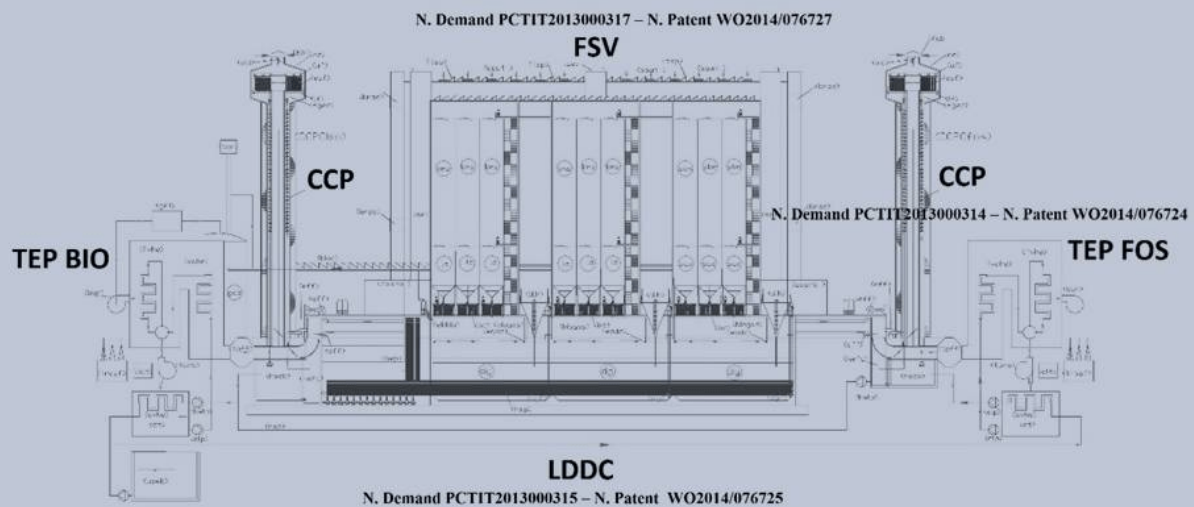
Il depositante, studiando le possibilità di impiego nei depuratori di una precedente domanda di brevetto: "Sistema compatto di sedimentazione, disidratazione, stabilizzazione chimica dei fanghi con polveri di calce" (deposito n. Ce2009A000008 del 15/09/2009, a nome di Perone Luigi Antonio), ha concepito degli impianti di depurazione interamente coperti, che utilizzando degli elementi modulari basati sul citato precedente deposito, affiancati senza soluzione di continuità, e collegati sotto il piano stradale con le altre sezioni di impianto, consentiranno di depurare le acque recuperando nell'ambito degli impianti le emissioni di CO2 e di consumarle o neutralizzarle nel processo stesso. Consentiranno di neutralizzare anche il CO2 contenuto in serbatoi o in rete di tubazioni, catturato, pressurizzato e liquefatto nelle industrie, con un processo di carbonatazione, di produrre energia elettrica solare, con i pannelli di copertura in quantità superiore al fabbisogno degli impianti. Queste innovazioni, insieme alla notevole riduzione degli ingombri consentita dal sistema permetterà di realizzare impianti di depurazione urbani e industriali molto diversi, ma soprattutto impianti di trattamento delle acque fluviali, che depurate e alcalinizzate, potranno correggere gradualmente l'acidificazione degli oceani, consentendo a questi di assorbire maggiori quantità di CO2 dall'atmosfera senza incorrere in una eccessiva produzione di plancton come sta avvenendo attualmente, che secondo le previsioni, entro il 2100 porterà alla eutrofizzazione oceanica.

P. DISEGNO PRINCIPALE



FIRMA DEL / DEI RICHIEDENTE / I

Perone Luigi Antonio



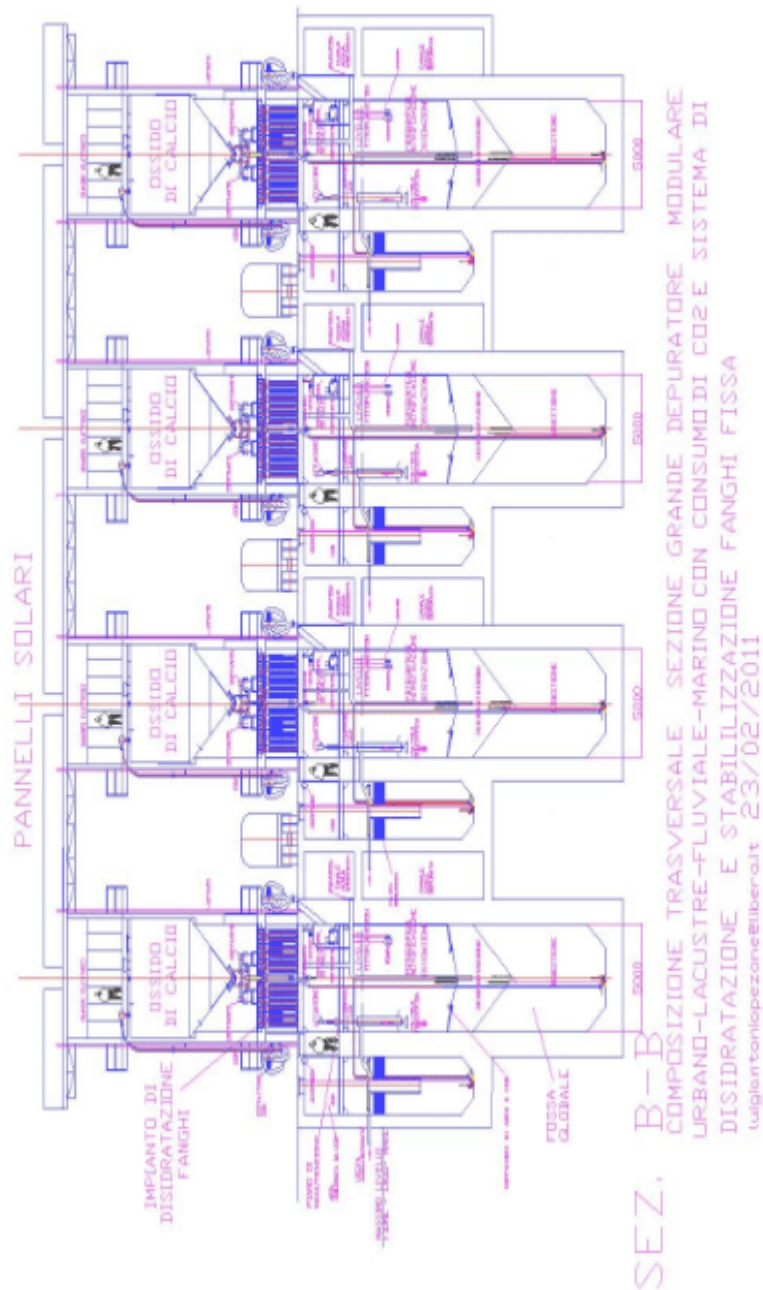
CCP = CHIMNEY CAPTURE AND PURIFICATION FUMES WITH ELECTROSTATIC FILTER = CIMINIERA DI CATTURA E PURIFICAZIONE FUMI CON FILTRO ELETTROSTATICO

LDDC = LINEAR DEHYDRATOR DIGESTOR COMPOSTER = DIGESTORE LINEARE DISIDRATATORE COMPOSTATORE

FSV = BUILDING SYNERGY WITH VERTICAL BIOLOGICAL PONDS AND CALCAREOUS GREENHOUSE = FABBRICATO DINERGICO VERTICALE CON STAGNI BIOLOGICI SOVRAPPOSTI E SERRE CALCAREE

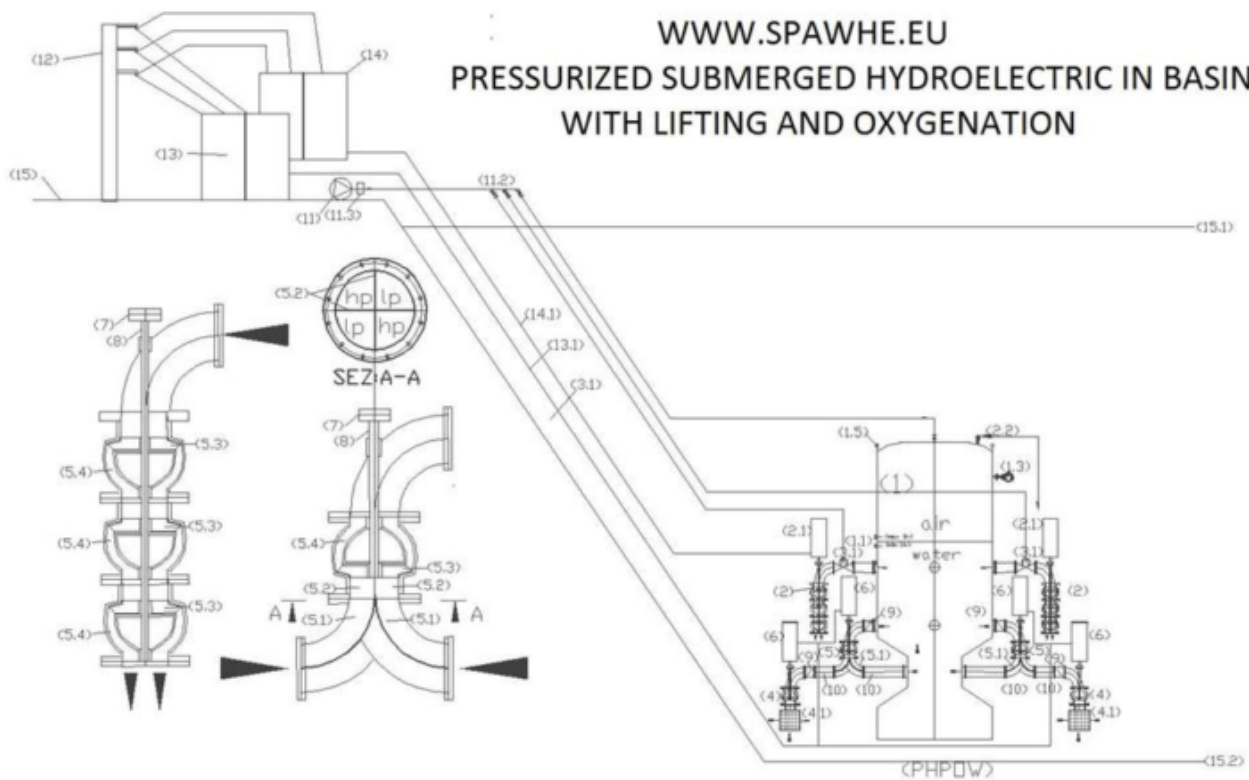
TEP FOS = FOSSIL THERMAL CENTRAL = CENTRALE TERMICA FOSSILE TEP BIO = BIOLOGICAL THERMAL CENTRAL = CENTRALE TERMICA BIOLOGICA

**GLOBAL SYNERGY PLANT FOR DEPURATION, BIOMASS PRODUCTION AND
THERMOELECTRIC COGENERATION (GSPDPTC) N. Patent WO2014/076726
IMPIANTO SINERGICO GLOBALE DI DEPURAZIONE, PRODUZIONE DI BIOMASSA E
COGENERAZIONE TERMOELETTRICA (GSPDPTC) N. Patent WO2014/076726**



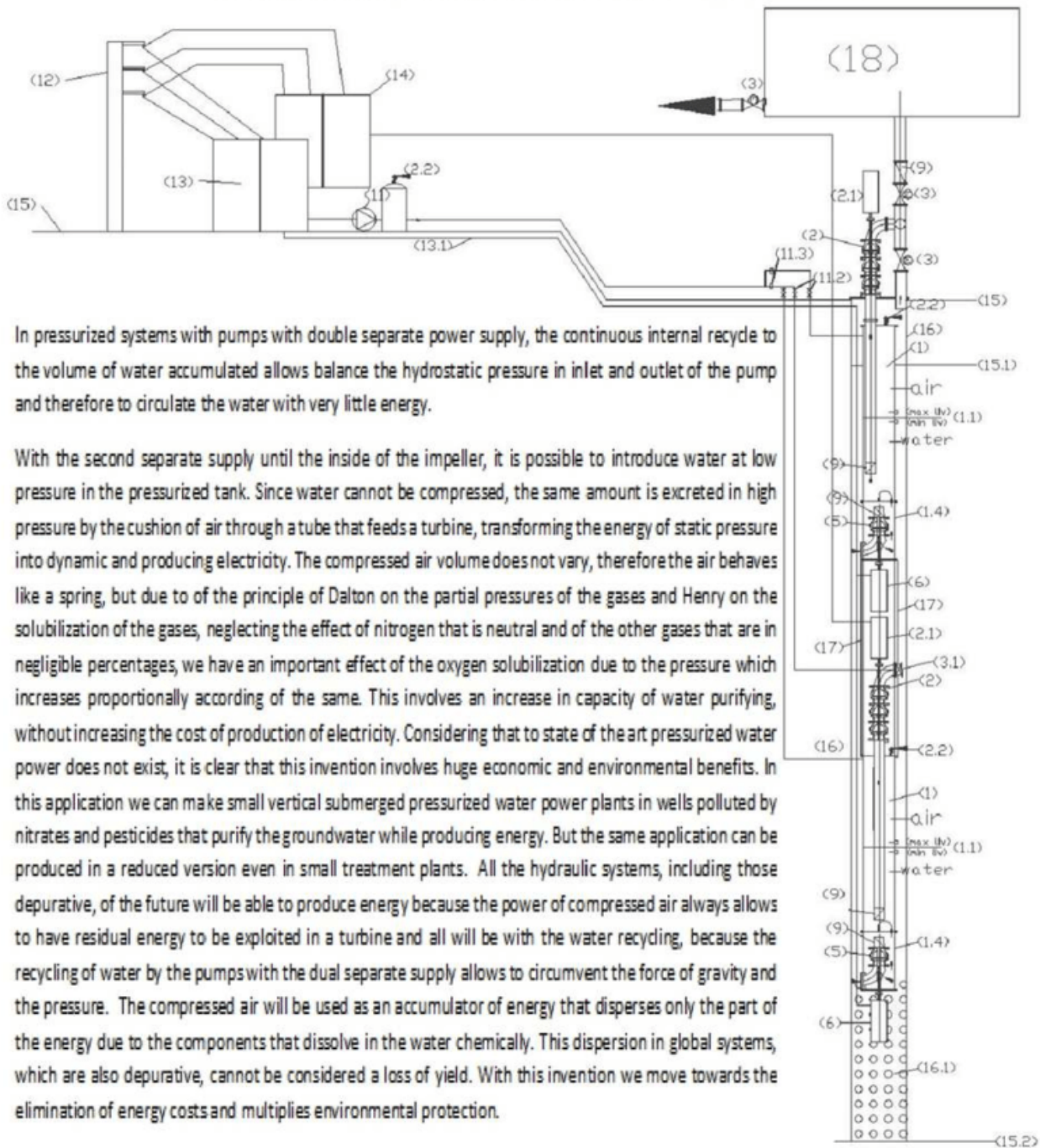
Sezione depuratore coperto per acque urbane e fluviali con recupero e neutralizzazione CO2 e produzione di energia solare
-Cross section covered purifier for urban and river water with CO2 recovery and neutralization and solar energy production.

PRESSURIZED SUBMERGED HYDROELECTRIC IN BASINS WITH LIFTING AND OXYGENATION



With the second separate supply until the inside of the impeller, it is possible to introduce water at low pressure in the pressurized tank. Since water cannot be compressed, the same amount is excreted in high pressure by the cushion of air through a tube that feeds a turbine, transforming the energy of static pressure into dynamic and producing electricity. The compressed air volume does not vary, therefore the air behaves like a spring, but due to of the principle of Dalton on the partial pressures of the gases and Henry on the solubilization of the gases, neglecting the effect of nitrogen that is neutral and of the other gases that are in negligible percentages, we have an important effect of the oxygen solubilization due to the pressure which increases proportionally according of the same. This involves an increase in capacity of water purifying, without increasing the cost of production of electricity. Considering that to state of the art pressurized water power does not exist, it is clear that this invention involves huge economic and environmental benefits. If with the pump with double separate supply introduce polluted water into the pressurized tank, we can produce energy while we clean instead of consuming energy. We can realize submerged pressurized water power plants in the depths of lakes and seas. But the same application can be produced in a reduced version even in small treatment plants. All the hydraulic systems, including those depurative, of the future will be able to produce energy because the power of compressed air always allows to have residual energy to be exploited in a turbine and all will be with the water recycling, because the recycling of water by the pumps with the dual separate supply allows to circumvent the force of gravity and the pressure. The compressed air will be used as an accumulator of energy that disperses only the part of the energy due to the components that dissolve in the water chemically. This dispersion in global systems, which are also depurative, cannot be considered a loss of yield. With this invention we move towards the elimination of energy costs and multiplies environmental protection.

**PRESSURIZED SUBMERGED HYDROELECTRIC
PLANT IN WELL WITH LIFTING AND OXIGENATION**



In pressurized systems with pumps with double separate power supply, the continuous internal recycle to the volume of water accumulated allows balance the hydrostatic pressure in inlet and outlet of the pump and therefore to circulate the water with very little energy.

With the second separate supply until the inside of the impeller, it is possible to introduce water at low pressure in the pressurized tank. Since water cannot be compressed, the same amount is excreted in high pressure by the cushion of air through a tube that feeds a turbine, transforming the energy of static pressure into dynamic and producing electricity. The compressed air volume does not vary, therefore the air behaves like a spring, but due to of the principle of Dalton on the partial pressures of the gases and Henry on the solubilization of the gases, neglecting the effect of nitrogen that is neutral and of the other gases that are in negligible percentages, we have an important effect of the oxygen solubilization due to the pressure which increases proportionally according of the same. This involves an increase in capacity of water purifying, without increasing the cost of production of electricity. Considering that to state of the art pressurized water power does not exist, it is clear that this invention involves huge economic and environmental benefits. In this application we can make small vertical submerged pressurized water power plants in wells polluted by nitrates and pesticides that purify the groundwater while producing energy. But the same application can be produced in a reduced version even in small treatment plants. All the hydraulic systems, including those depurative, of the future will be able to produce energy because the power of compressed air always allows to have residual energy to be exploited in a turbine and all will be with the water recycling, because the recycling of water by the pumps with the dual separate supply allows to circumvent the force of gravity and the pressure. The compressed air will be used as an accumulator of energy that disperses only the part of the energy due to the components that dissolve in the water chemically. This dispersion in global systems, which are also depurative, cannot be considered a loss of yield. With this invention we move towards the elimination of energy costs and multiplies environmental protection.

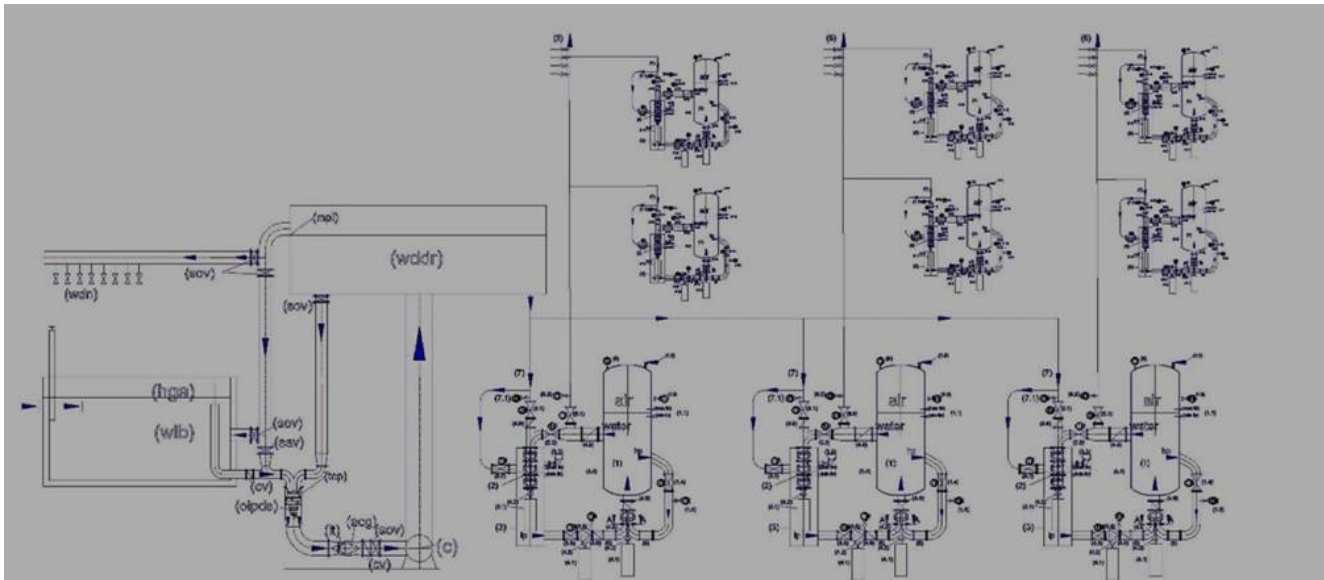
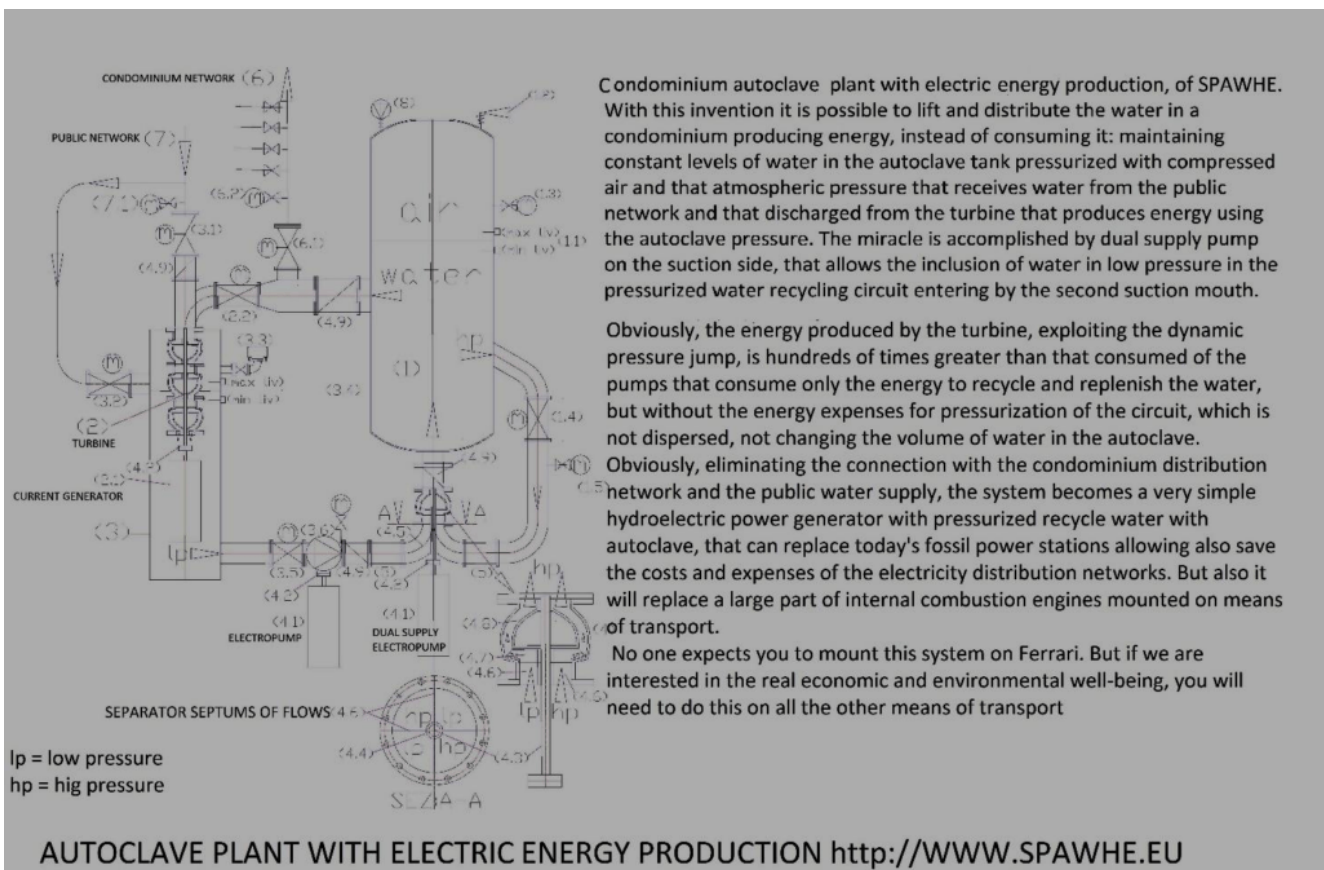


Fig. 3

WATER LIFTING PLANT IN OPEN VESSEL AND PRESSURIZED BY AUTOCLAVES FOR WATER DISTRIBUTION AND HYDROELECTRIC PRODUCTION.



Condominium autoclave plant with electric energy production, of SPAWHE. With this invention it is possible to lift and distribute the water in a condominium producing energy, instead of consuming it: maintaining constant levels of water in the autoclave tank pressurized with compressed air and that atmospheric pressure that receives water from the public network and that discharged from the turbine that produces energy using the autoclave pressure. The miracle is accomplished by dual supply pump on the suction side, that allows the inclusion of water in low pressure in the pressurized water recycling circuit entering by the second suction mouth.

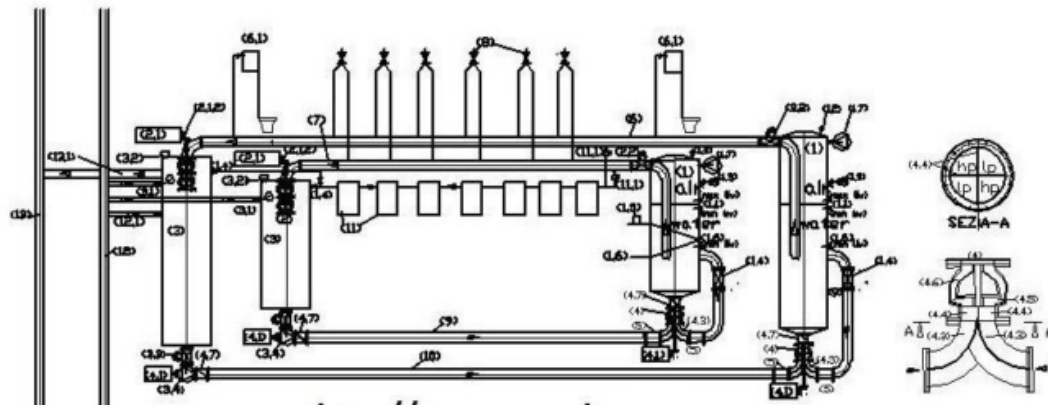
Obviously, the energy produced by the turbine, exploiting the dynamic pressure jump, is hundreds of times greater than that consumed of the pumps that consume only the energy to recycle and replenish the water, but without the energy expenses for pressurization of the circuit, which is not dispersed, not changing the volume of water in the autoclave.

Obviously, eliminating the connection with the condominium distribution network and the public water supply, the system becomes a very simple hydroelectric power generator with pressurized recycle water with autoclave, that can replace today's fossil power stations allowing also save the costs and expenses of the electricity distribution networks. But also it will replace a large part of internal combustion engines mounted on means of transport.

No one expects you to mount this system on Ferrari. But if we are interested in the real economic and environmental well-being, you will need to do this on all the other means of transport

lp = low pressure
hp = high pressure

AUTOCLAVE PLANT WITH ELECTRIC ENERGY PRODUCTION <http://WWW.SPAWHE.EU>



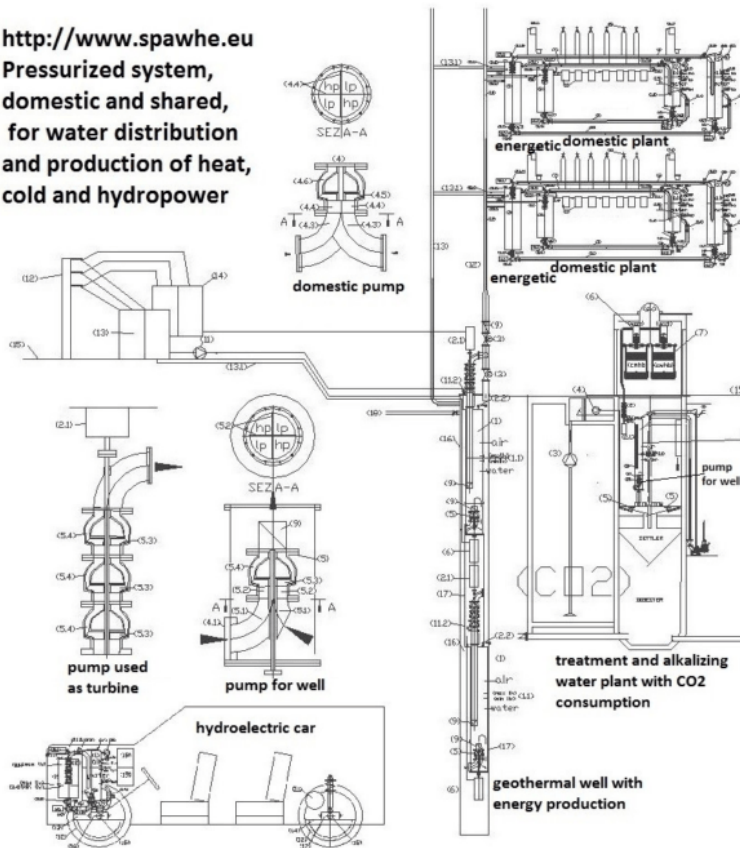
<http://www.spawhe.eu>

Domestic pressurized system for hydraulic distribution and and production of heat, cold and hydropower

I think it can all become energy producers, abolishing the bills to pay not only for the electricity but also for heating, because in the condominiums and apartments we can produce all the energy whom serves with hydropower pressurized which can produce energy and exchange heat with the ground even at the poles, the Arctic and Antarctic, where there are the famous polar night that lasts six months with conditions weather prohibitive. Probably, it has arrived the perfect energy, only with the impartial reasoning of those who are not tied to any economic power and has no money for the trials. But using rational systems already tested by nature, which only required the expertise to industrialization with modern technologies, since the current energies, do not use synergies. They are all incomplete and in competition with each other. Let's start with the most common one: The fossil energy has not solved the problem of CO2 emissions. Nuclear energy has not solved the problem of waste disposal. Organic farming is confined solely to emit organic CO2 instead of the fossil. The photo voltaic energy and wind power, are bulky, low performance, discontinuous and require materials that are already running low for the construction and energy storage. Hydropower has not solved the problem of water recycling, it requires great works, with large investments. In many cases creates more harm than good: torrential rains, finding water basins already full, produce floods. Today there is responsibility of all states on the current environmental degradation sovereign. Even the United Nations, which in 2001 produced a document called "Coding Project on the responsibility of states for internationally unlawful acts" signed by almost all sovereign states, are not free from crimes of omission. The joints of responsibility of global public officials, for myself, have created and create more damage of the eco-mafia. Which they may be identified and convicted, while the half scientific and technological truths, half-cleansings, half energies is difficult to locate them. You can unmask only with the most complete alternative projects. But who has the power to develop more comprehensive plans of governments and multinationals? Myself as a designer and inventor could only put on paper how, in his view, should generally be designed plants that should never be only purifying and never just energy. Politics, economics, philosophy alternatives are important, but do not prove anything. All problems, even those social resolve with the transparency of studying, which must be complete, leaving no pending cycles, especially public ones, should be the guide and example for private studying. Why the public and private powerful continue to fund, develop technologically advanced solutions, but still incomplete, and lacking of a global logic in all sectors? The industrial Taylorism taught to the undersigned in many years of work that a great series product can be produced in many different ways, but only one is the best: One that use better the industrial organization and the maximum automation. When I tired of the big industry has moved to work in the environmental sector, I have noticed that the environmental and energy Taylorism was never born. Therefore, things are not done in the best way, but worse. If it was born, It would change everything, how did SPAWHE, unfortunately, only virtually, being only the web site of a pensioner with no money. He would still taught the industrial Taylorism that the internal combustion engine on transportation could not be mounted, not being able to close the carbon cycle according to the rules required by the nature. There would be an exchange of positive experiences between industry and the environment, instead of the current exchange code of silence to hide their mistakes. You can find the new way to produce low-cost and cleanly electric power, heat and cold in the apartments and condominiums in all seasons and all hours and in every place of earth on <http://www.spawhe.eu/pressurized-domestic-hydraulic-energy-system/>. For a long time I seek public and private partners to achieve together this great adventure.

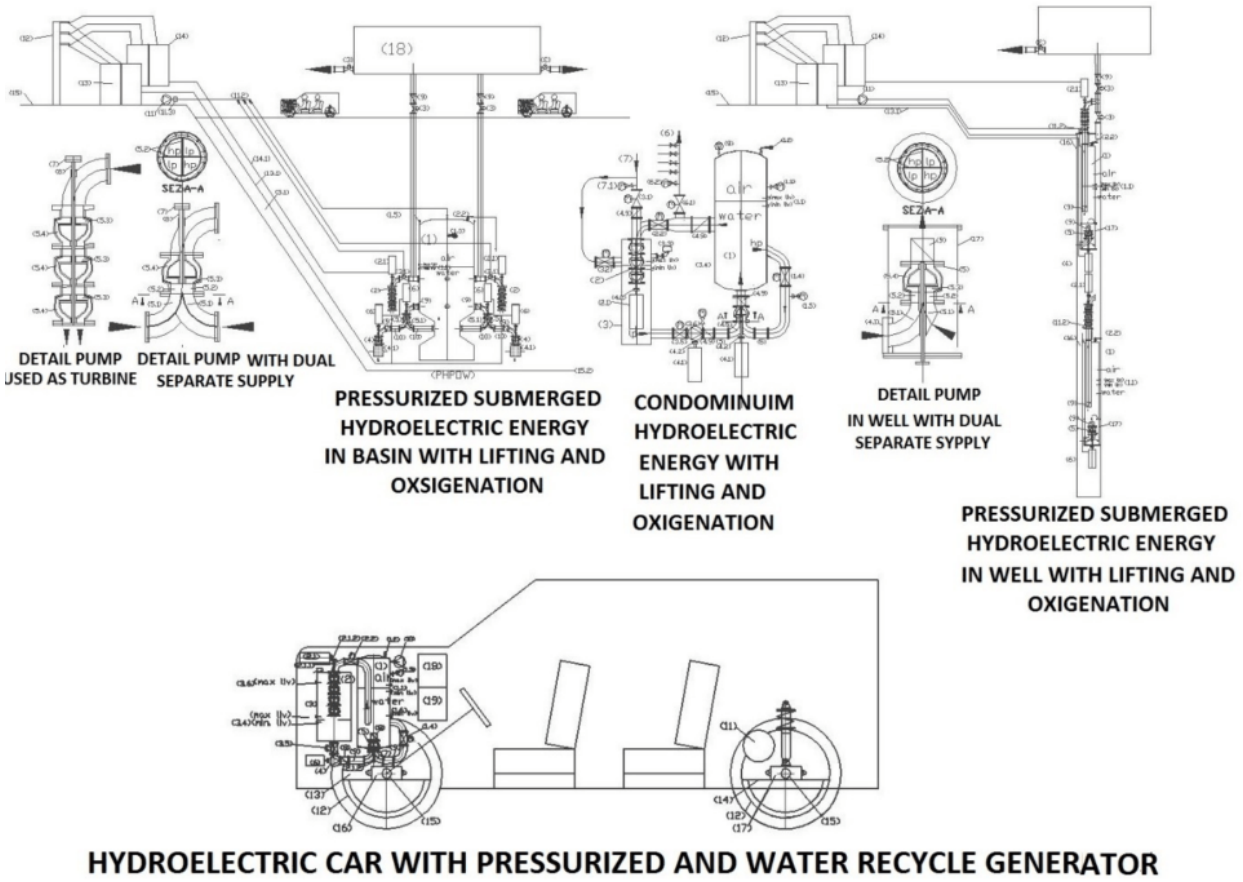
INTERACTIVE ENERGY BETWEEN WATER AND AIR, WHICH DOES NOT COST ANYTHING AND DEPURA THE ENVIRONMENT, CAN 'ENTER IN EVERY HOUSING, OR HUT OR IGLOO' OF THE EARTH

<http://www.spawhe.eu>
**Pressurized system,
 domestic and shared,
 for water distribution
 and production of heat,
 cold and hydropower**

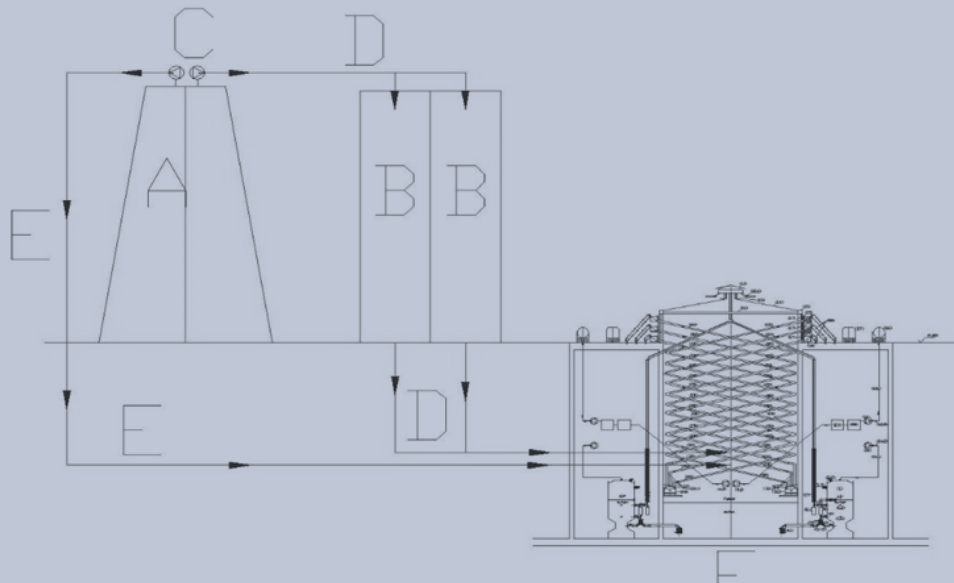


At the beginning of a new year I like to communicate a message of hope. Of course, the hope is not directed to the powerful, but to the common people. I think it can all become energy producers, abolishing the bills to pay not only for the electricity but also for heating, because in the condominiums and apartments we can produce all the energy whom serves with hydropower pressurized which can produce energy and exchange heat with the ground even at the poles, the Arctic and Antarctic, where there are the famous polar night that lasts six months with conditions weather prohibitive. Probably, it has arrived the perfect energy, only with the impartial reasoning of those who are not tied to any economic power and has no money for the trials. But using rational systems already tested by nature, which only required the expertise to industrialization with modern technologies, since the current energies, do not use synergies. They are all incomplete and in competition with each other. Let's start with the most common one: The fossil energy has not solved the problem of CO2 emissions. Nuclear energy has not solved the problem of waste disposal. Organic farming is confined solely to emit organic CO2 instead of the fossil. The photo voltaic energy and wind power, are bulky, low performance, discontinuous and require materials that are already running low for the construction and energy storage. Hydropower has not solved the problem of water recycling, it requires great works, with large investments. In many cases creates more harm than good: torrential rains, finding water basins already full, produce floods. Today there is responsibility of all states on the current environmental degradation sovereign. Even the United Nations, which in 2001 produced a document called "Coding Project on the responsibility of states for internationally unlawful acts" signed by almost all sovereign states, are not free from crimes of omission. The joints of responsibility of global public officials, for my self, have created and create more damage of the eco-mafia. Which they may be identified and convicted, while the half scientific and technological truths, half-deansings, half energies is difficult to locate them. You can unmask only with the most complete alternative projects. But who has the power to develop more comprehensive plans of governments and multinationals? Myself as a designer and inventor could only put on paper now, in his view, should generally be designed plants that should never be only purifying and never just energy. Politics, economics, philosophy alternatives are important, but do not prove anything. All problems, even those social resolve with the transparency of studying, which must be complete, leaving no pending cycles, especially public ones, should be the guide and example for private studying. Why the public and private powerful continue to fund, develop technologically advanced solutions, but still incomplete, and lacking of a global logic in all sectors? The industrial Taylorism taught to the undersigned in many years of work that a great series product can be produced in many different ways, but only one is the best: One that use better the industrial organization and the maximum automation. When I tired of the big industry has moved to work in the environmental sector, I have noticed that the environmental and energy Taylorism was never born. Therefore, things are not done in the best way, but worse. If it was born, it would change everything, how did SPAWHE, unfortunately, only virtually, being only the web site of a pensioner with no money. He would still taught the industrial Taylorism that the internal combustion engine on transportation could not be mounted, not being able to close the carbon cycle according to the rules required by the nature. There would be an exchange of positive experiences between industry and the environment, instead of the current exchange code of silence to hide their mistakes. You can find the new way to produce low-cost and clean electric power, heat and cold in the apartments and condominiums in all seasons and all hours and in every place of earth on <http://www.spawhe.eu/pressurized-domestic-hydraulic-energy-system/>. I seek public and private partners to achieve together this venture.

Some hydroelectric energy solutions pressurized with compressed air



CALCAREOUS GREENHOUSES FOR FUMES AND DUST PURIFICATION SERRE CALCAREE PER DEPURAZIONE FUMI E POLVERI

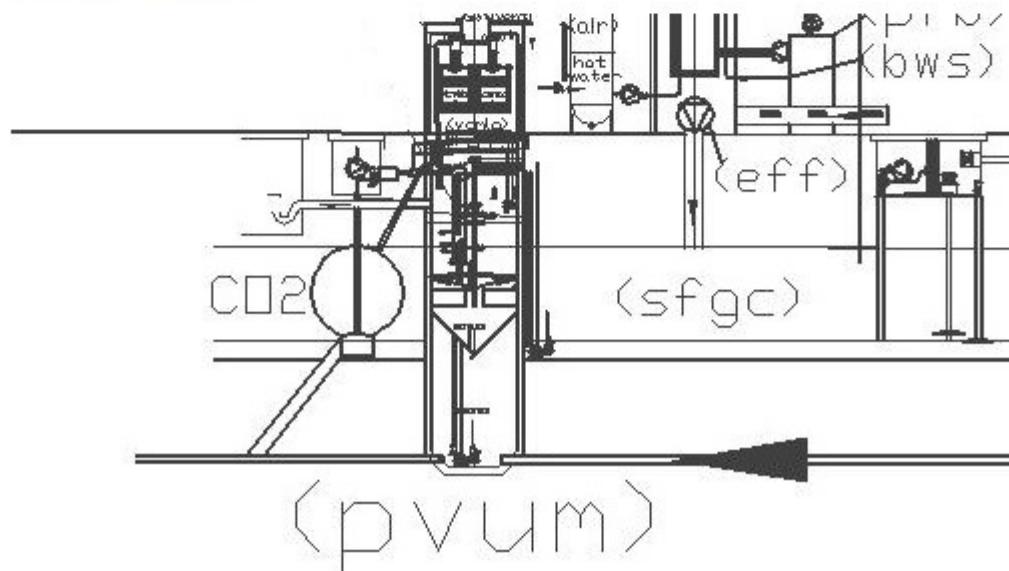


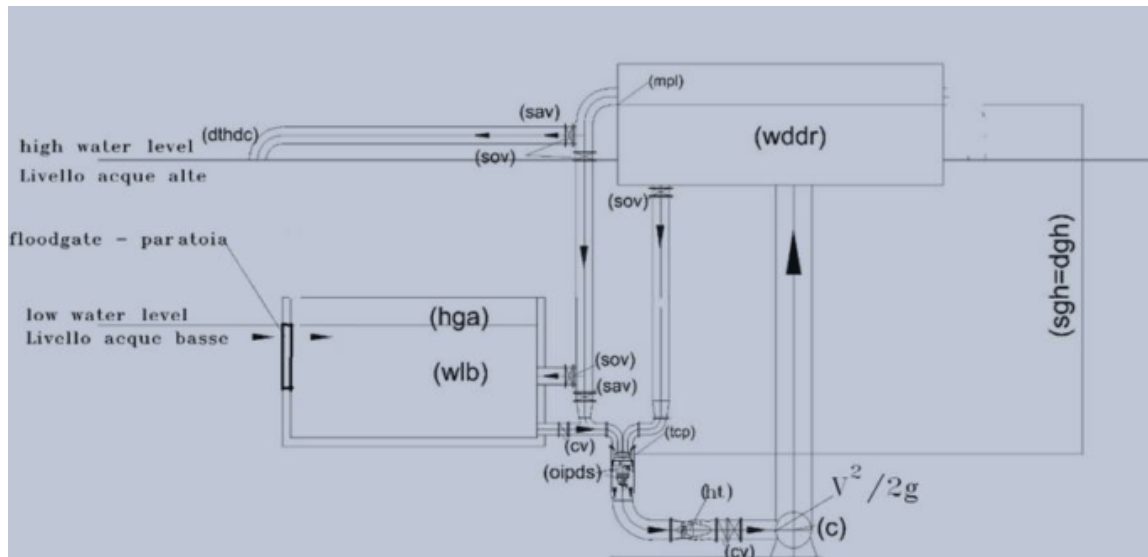
The Figure shows the connection scheme to the world's most polluting thermal plants. Where A represents a blast furnace, incinerator, cement plant, a large thermal power plant, an oven for the production of lime. B represents the current filtration system of plants A which clearly are not sufficient to purify globally. C are the fumes and dust extraction fans. D and E, are the paths of the dust up to the inside of the calcareous greenhouse F, which purifies them by consuming the CO₂ the SO_x and NO_x contained in the fumes while producing compressed hydroelectric energy.

La Figura mostra lo schema di collegamento agli impianti termici più inquinanti al mondo. Dove A rappresenta un altoforno, inceneritore, cementificio, una grande centrale termica, un forno per la produzione della calce. B rappresenta l'attuale sistema di filtrazione degli impianti A che chiaramente non sono sufficienti a depurare globalmente. C sono i ventilatori di estrazione dei fumi e delle polveri. D ed E, sono i percorsi delle polveri fino all'interno della serra calcarea F, che li depura consumando il CO₂ i SO_x e NO_x contenuti nei fumi mentre si produce energia idroelettrica compressa.

<http://www.spawhe.eu>

In urban global purification, with hydropower pressurized, CO₂ is subtracted to the environment by storing in underground reservoirs, compressing it along to polluted air and using it to oxidize the water by means of artificial rains in the limestone greenhouses, not necessarily overlapping the purification modules (they can also be made in small local embedded in buildings), which return the water to the purification modules. Are produced simultaneously to oxidation, carbonates in sewage and rainwater, which go to combat acidification of lakes and seas. The all, while it produces more energy than it consumes, because the compressed air is an energy accumulator which transfers its pressure to water that produce electrical energy in a pump used as a turbine, while a pump with the dual power supply separate until to the impeller, inserts the water with a very low energy cost in the recycling circuit of the pressurized tank that feeds the pump used as a turbine. The oxygen which dissolves in the water to the compressed air pressure effect accelerates the purification process of water. All this does not exist in any city in the world. <http://www.spawhe.eu/cop22-failed-international-crime-of-states-not-punished/>; <http://www.spawhe.eu/two-environmental-and-energy-inventions-for-the-marrakech-summit/>; <http://www.spawhe.eu/the-pressurized-submerged-hydroelectric/>





(oipds) = overturned intubate pump dual supply = pompa intubata con doppia alimentazione
 (it) = intubate turbine = turbina intubata

Hydraulic scheme for protection from high waters with energy production by means of combining pumps with double suction supply and hydraulic turbines

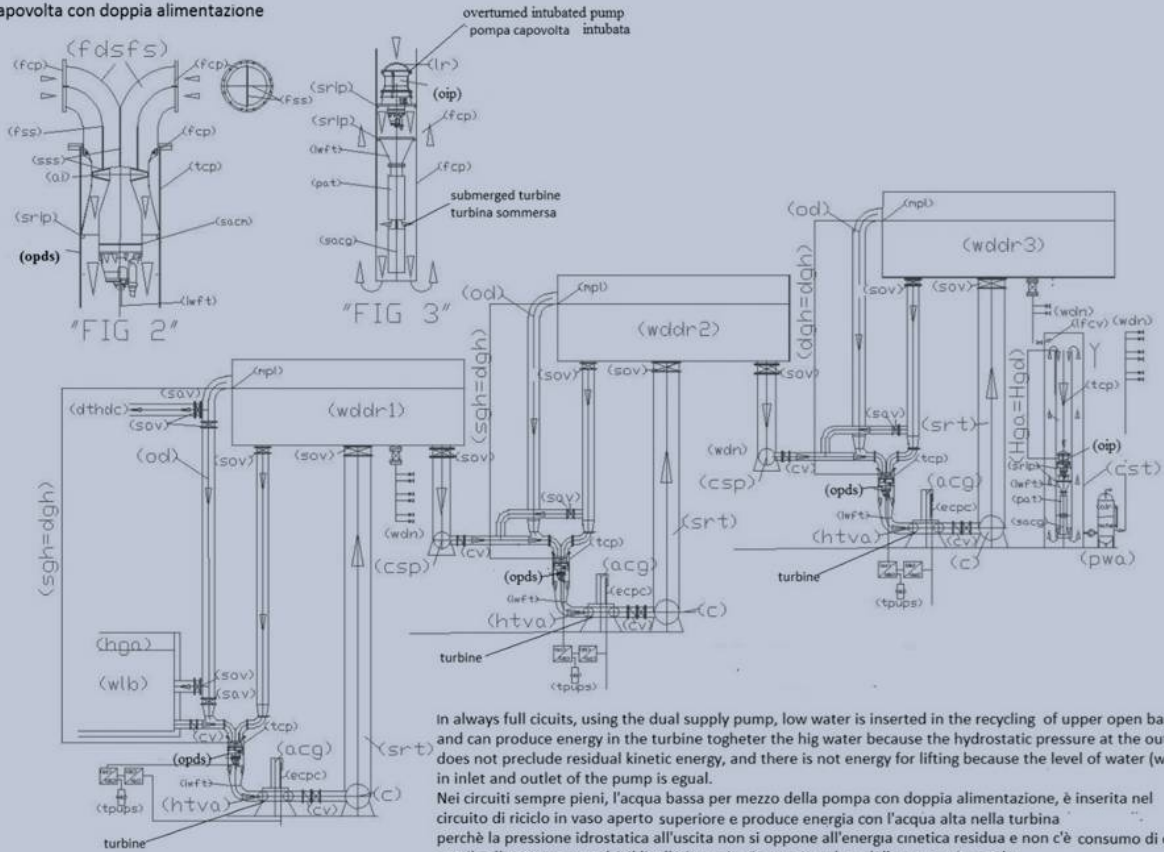
This scheme is very important because it could be an alternative or supplementary to the Mose in Venice and to the many similar cases where there is the danger of the raising of the sea waters of lakes and rivers. It allows produce energy for the whole year by recycling the water from the reservoir (wddr) with both aspiring mouths, and when you need to keep low water from the side of the basin (wlb) which represents the historic center of Venice or an agricultural area subject to flooding, one of the two suction inlets, after closing of floodgates that feed the channel, is fed by low waters, making skim water raised in the high waters, beyond the gates shut, limiting damages even if the water exceed the gates themselves, continuing to produce energy even during the flood. In fact, this scheme allows produce energy in the phase of descent, taking advantage of the hydrostatic head of the upper reservoir on the pump and consume very little to recycle the water in the basin (wddr), as being that always filled the basin does not consume any energy for lifting but only the pressure drop at the outlet ($V^2 / 2g$) and negligible pressure losses in the pipes and valves, because the turbine absorbs almost all the kinetic energy produced. Without the invention of the dual supply suction pumps, water lifting should be done with other pumps that consume energy for lifting, being unable to enter the water in energy-recycling loop over represented.

Schema idraulico per protezione dalle acque alte con produzione di energia per mezzo dell'abbinamento di pompe con doppia alimentazione aspirante e turbine idrauliche

Questo Schema è molto importante perché poteva essere una soluzione alternativa o integrativa al Mose di Venezia e ai tanti casi simili dove, c'è il pericolo dell'innalzamento delle acque del mare dei laghi e dei fiumi. Esso consente di produrre energia per tutto l'anno riciclando l'acqua del bacino (wddr) con entrambe le bocche aspiranti, e quando è necessario tenere basse le acque dal lato del bacino (wlb) che rappresenta il centro storico della città lagunare o di una zona agricola soggetta ad allagamenti, una delle due bocche aspiranti, previo chiusura delle paratoie che alimentano i canali, è alimentata dalle acque basse, facendo sfiorare le acque sollevate nelle acque alte, oltre le paratoie di intercettazione, limitando i danni anche nel caso che l'acqua superi le paratoie stesse, continuando a produrre energia anche durante l'alluvione. Infatti, questo schema consente di produrre energia nella fase di discesa, sfruttando il battente idrostatico del bacino superiore sulla pompa e di consumarne pochissima per riciclare l'acqua nel bacino (wddr), poiché essendo tale bacino sempre pieno non si consuma energia per il sollevamento ma soltanto la perdita di carico allo sbocco ($V^2/2g$) e le trascurabili perdite di carico nei tubi e valvole, perché la turbina assorbe quasi tutta l'energia cinetica prodotta. Senza l'invenzione delle pompe con doppia alimentazione aspirante, il sollevamento dell'acqua si dovrebbe fare con altre pompe che consumerebbero energia per il sollevamento, non potendo inserire l'acqua nel circuito di riciclo energetico sopra rappresentato.

overturned pump with dual supply (opds)

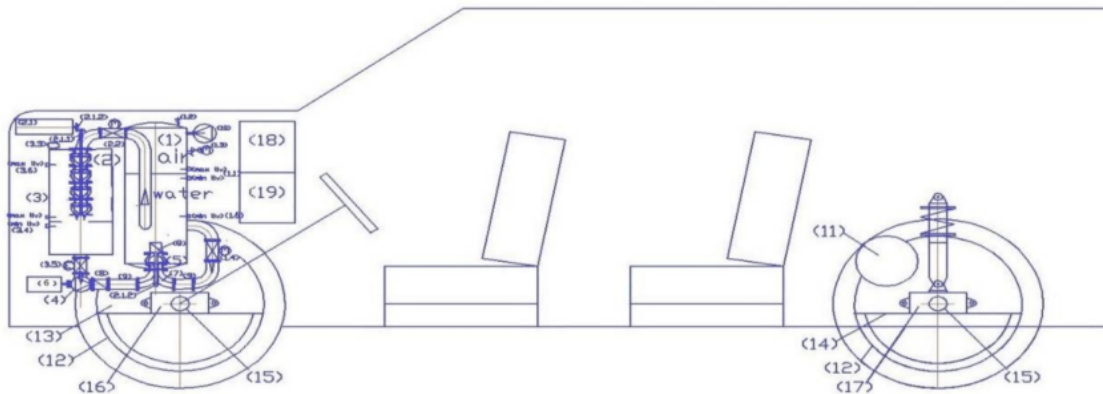
pompa capovolta con doppia alimentazione



in always full circuits, using the dual supply pump, low water is inserted in the recycling of upper open basin and can produce energy in the turbine together the hig water because the hydrostatic pressure at the outlet does not preclude residual kinetic energy, and there is not energy for lifting because the level of water (wddr) in inlet and outlet of the pump is equal.

Nei circuiti sempre pieni, l'acqua bassa per mezzo della pompa con doppia alimentazione, è inserita nel circuito di riciclo in vaso aperto superiore e produce energia con l'acqua alta nella turbina perchè la pressione idrostatica all'uscita non si oppone all'energia cinetica residua e non c'è consumo di energia per il sollevamento perchè il livello in aspirazione e mandata della pompa è uguale.

CAR WITH HYDRO POWER ENGINE



<http://www.spawhe.eu/hydroelectric-power-auto-with-torque-peripheral-to-the-wheels-novit%C3%A0/>

Legend: (1) autoclave pressurized tank; (1.1) level regulator with capacitive probes; (1.2) safety valve; (1.3) manometer with shut-off valve; (1.4) motorized valve flow control with position transmitter; (1.5) pressure or flow transmitter; (1.6) minimum level probe in the start system; (2) pump used as a turbine (pat); (2.1) alternating current generator; (2.1.1) bushing with sealing ring; (2.1.2) angle diverter with conical gears; (2.1.3) transmission shaft; (2.1.4) transmission shaft protection tube (2.1.5) double curve with septa crossed separators in low pressure (LP) and high pressure (hp); (2.1.6) septa separators of flow; (2.1.7) closed type; (2.1.8) Diffuser of the pump; (2.2) motorized valve to supply turbine with flow adjustment; (3) water transit tank at atmospheric pressure and containment pat; (3.1) motorized valve to feed pressurized water network; (3.2) motorized valve bypass supply at low pressure; (3.3) air valves; (3.4) Water level control with capacitance probes; (3.5) motorized valve for water supply at low pressure; (3.6) maximum level probe in the start system; (4) electric pump to supply in low pressure (5) electric pump with double separate supply until the impeller; (6) pump drive motor, with variable speed, controlled by an inverter; (7) double curve with septa crossed separators in low pressure (LP) and high pressure (hp); (7.1) septa to flow separators; (8) check valve. (9) flow diverter stub pipe; (10) electrocompressor; (11) self braking engine with variable revs (11.1) sprocket gears; (12) wheel rim; 12.1 ring gear; (13) motorization support of front wheel; (14) motorization support of rear wheel; (15) stationary shaft; (15.1) bearing; (15.2) wheel rim mounting flange; 15.3 brake disc; (16) front Axle; (17) rear axle; (18) electric command and control panel; (19) heat pump for summer and winter air conditioning.

<http://www.spawhe.eu> FLYING AND FLOATING CARS WITH INTERACTIVE GLOBAL LINEAR MOTORS, THRUST OF NEWTON AND LORENTZ.

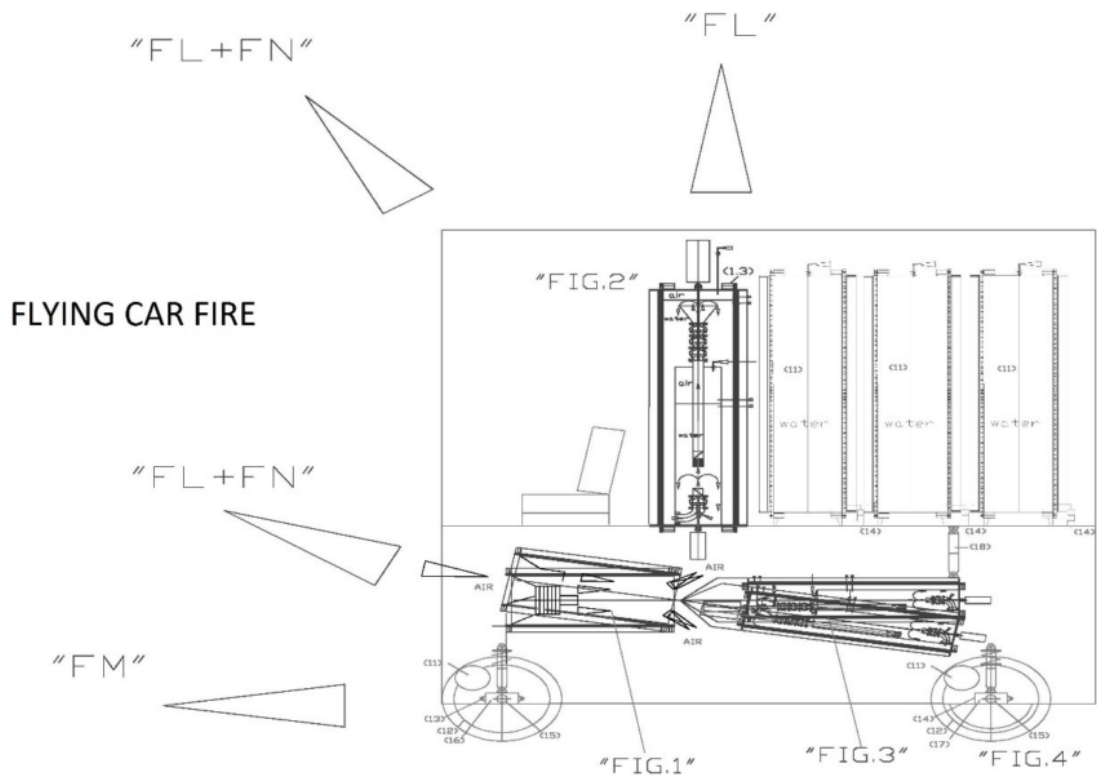


FIG. 6: Lorentz thrust (FL), Newton thrust (FN), drive thrust due to the wheels (FM), electric wheel motors (11), wheels (12), support support for the front wheel drive (13) and rear (14), front axle (16) equipped with an articulated frame to allow minimum turning radii, rigid rear axle (17), electric actuator (18) that changes the inclination of the global linear motor placed under the floor of the car (Fig 1+ Fig3) cylindrical water tanks (11) equipped with sliding tracks for the permanent magnets and external solenoids (1.8) and accessories (1.3,1.4, 1.5. 1.6,1.7) powered by the primary energy produced by the current generators (3.1) of both global linear motors (inside and outside the passenger compartment).

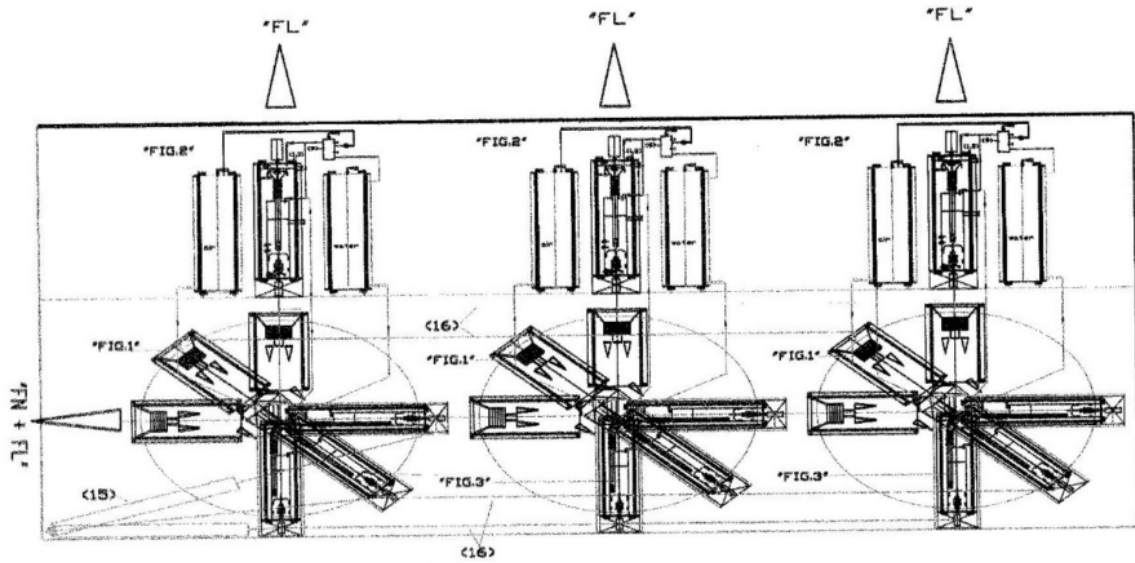
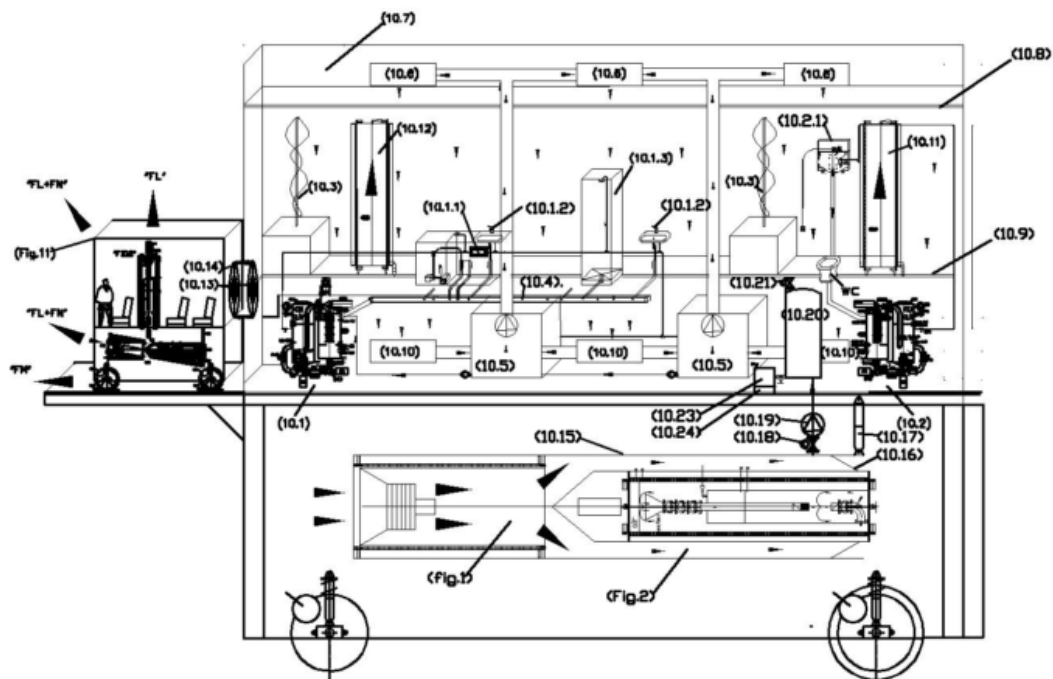


Fig. 5: Longitudinal section of a generic means of land and space transport: Cross section of a generic means of land and space transport: This diagram shows the figures concerning the components used to make the Lorentz thrust (FL, the Newton's thrust (FN), the position of the telescopic hydraulic cylinders (15) (one for each side of the global linear motor of fig1), which make the rotation of an arc of circumference of 90 degrees to an element, through the tie rods and articulated struts (16) pivoted at the end of the systems, make all the connected global linear motors perform the same degree of rotation.

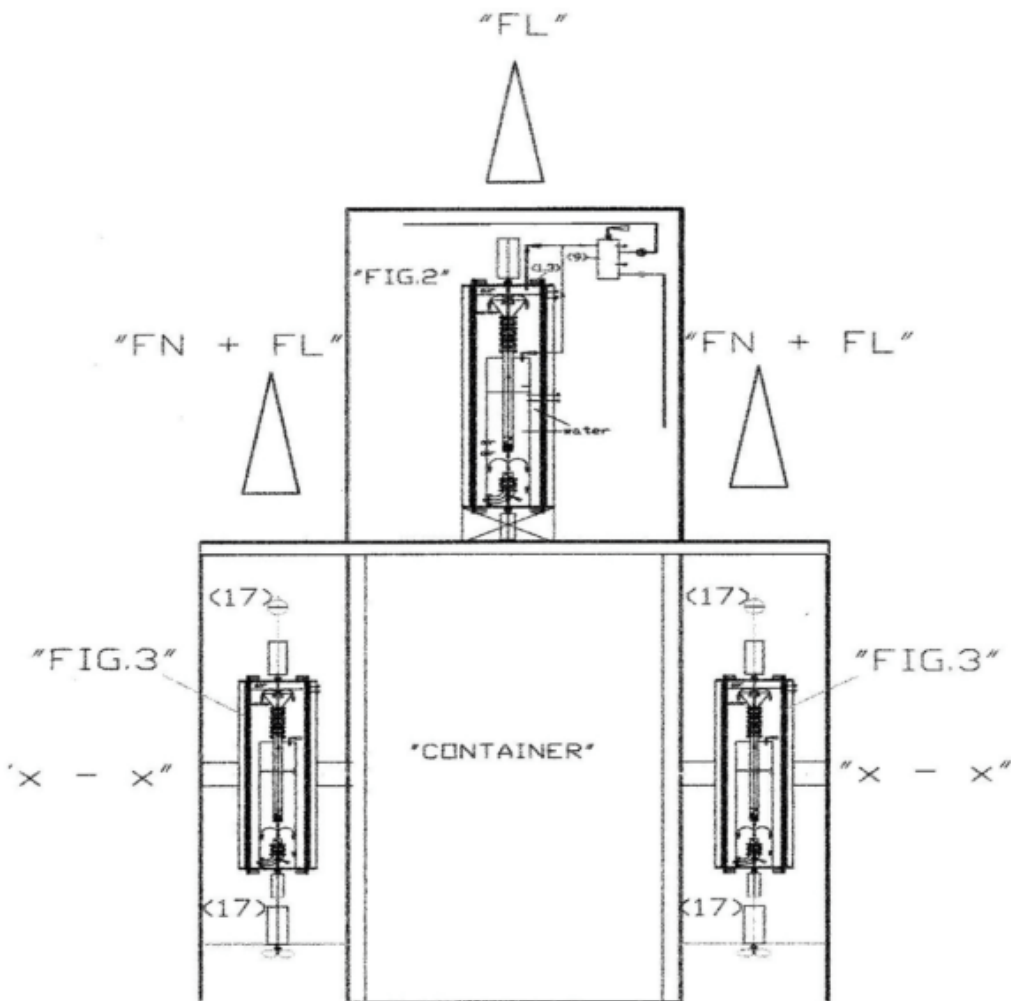
SPACE CONTAINERS WITH GLOBAL LINEAR MOTORS, INTERSTELLAR DUST CAPTURE SYSTEM AND INTERNAL SURVIVAL SYSTEMS. <https://www.spawhe.eu>



"FIG.10"

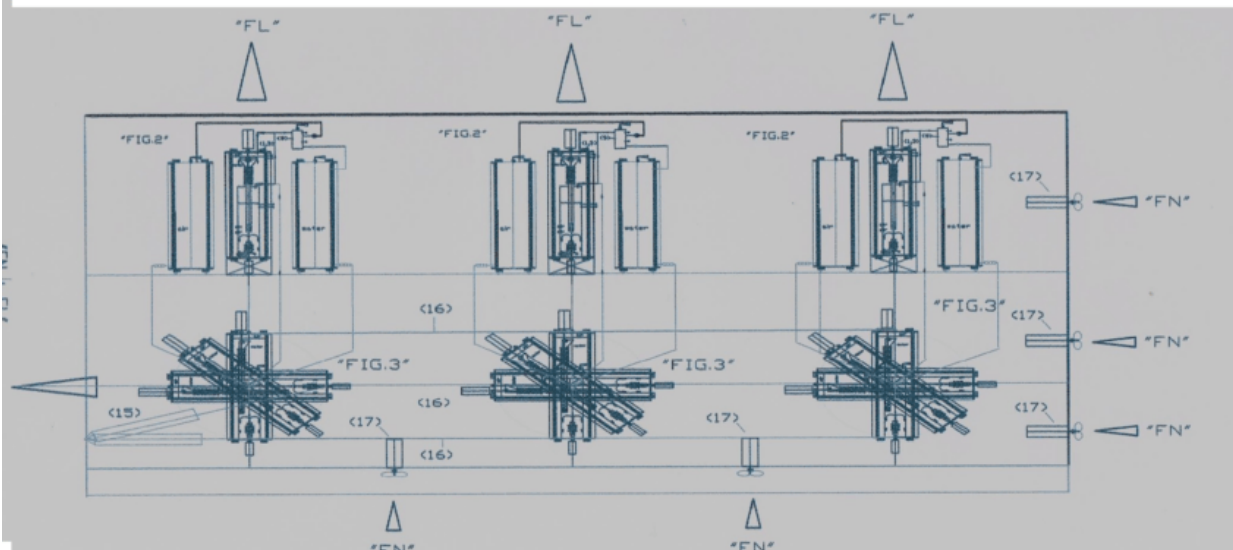
(10.1) domestic water purification plant; (10.1.1) ultraviolet disinfection system; (10.1.2) drinking water withdrawal point; (10.1.3) shower; (10.2) toilet waste water treatment plant; (10.2.1) toilet drain pan; (10.3) hydroponic cultivation; (10.4) waste water collection channel; (10.5) purification, humidification and air recycling system; (10.6) electrostatically polarized air inlet vents into the environment; (10.7) ceiling air distribution plenum; (10.8) regenerable filter ceiling in steel straw; (10.9) gridded floor with air passage; (10.10) electrostatically polarized air intake vents; (10.11) water reserve tank with external solenoid and vertical circulation of permanent magnets to produce Lorentz thrust; (10.12) compressed air reserve tank with external solenoid and vertical circulation of permanent magnets to produce Lorentz thrust; (10.13) Airtight passage porthole; (10.14) electromagnetic flexible metal bellows with external vacuum-tight gasket; (10.15) external connection steel tunnel between the electric turbofan fig1 and the compressed hydroelectric primary energy production plant of fig.2; (10.16) truncated conical sector closure of the interstellar dust collection tunnel by means of a steel rope which runs in rings external to the closing cone; (10.17) electric actuator for activating dust collection closure; (10.18) shut-off solenoid valve; (10.19) electric vacuum pump; (10.20) high vacuum dust collection tank; (10.21) air inlet solenoid valve at atmospheric pressure; (10.22) solenoid valve for interstellar dust output; (10.23) electrostatic filter; (10.24) removable container for interstellar dust; (Fig. 11) interstellar local displacement vehicle.

<http://www.spawhe.eu> AEROSPACE AND SUBMARINE TRANSPORT SYSTEM WITH INTERACTIVE PRIMARY AND INDUCTIVE LINEAR MOTORS



Figures 6 show the cross section of a generic submarine transport vehicle, which is very similar to the aerospace system, in that it transports watertight containers to the ocean floor. The difference consists in the fact that also the external frame (T) which contains the lateral primary linear motors can be hermetically closed. Just keep the Newton and Lorentz thrusts separate, making the first with external propellers connected to the electric motors (17) located inside the frame. The submarines will not need to empty and fill the sealed chambers with water to adjust the depth of navigation because the weight will be balanced by the force of Lorentz and Newton according to the formula already mentioned $P = m * (a - aL - aN)$, where "AL" is the acceleration artificially produced with the Lorentz force and "aN" that produced by the reaction force of Newton. The submarines of the future will be much faster, cheaper and safer than the current submarines and will be able to descend to greater depths than the current ones. The legend is not reported being it is already reported in figures 2 and others used, to which the electric turbo fans which have been replaced by normal marine propellers (17) has not been reported. The electromagnetic thrust is produced entirely with the solenoids external to the fluid dynamic systems that also produce primary energy.

<http://www.spawhe.eu> AEROSPACE AND SUBMARINE TRANSPORT SYSTEM WITH INTERACTIVE PRIMARY AND INDUCTIVE LINEAR MOTORS

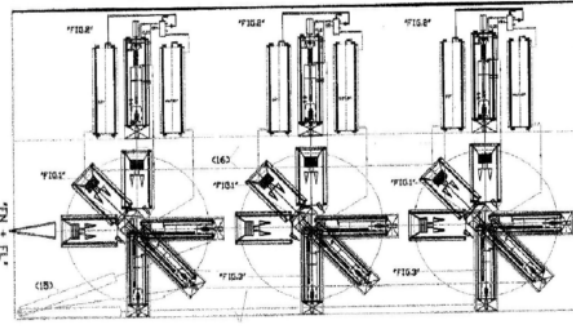
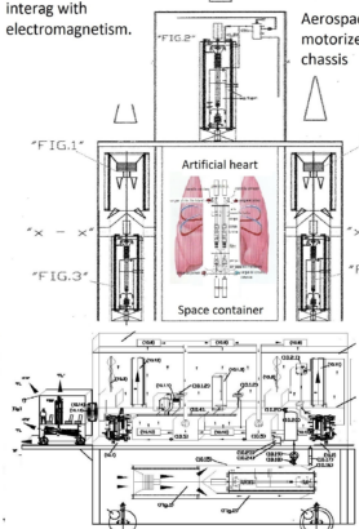


Figures 7 show the longitudinal section of a generic submarine transport vehicle, which is very similar to the aerospace system, in that it transports watertight containers to the ocean floor. The difference consists in the fact that also the external frame (T) which contains the lateral primary linear motors can be hermetically closed. Just keep the Newton and Lorentz thrusts separate, making the first with external propellers connected to the electric motors (17) located inside the frame. The submarines will not need to empty and fill the sealed chambers with water to adjust the depth of navigation because the weight will be balanced by the force of Lorentz and Newton according to the formula already mentioned $P = m * (a - aL - aN)$, where "AL" is the acceleration artificially produced with the Lorentz force and "aN" that produced by the reaction force of Newton. The submarines of the future will be much faster, cheaper and safer than the current submarines and will be able to descend to greater depths than the current ones. The legend is not reported being it is already reported in figures 2 and others used, to which the electric turbo fans which have been replaced by normal marine propellers (17) has not been reported. The electromagnetic thrust is produced entirely with the solenoids external to the fluid dynamic systems that also produce primary energy.

;

If it is true that the Taliban also have sponsors and financiers among world governments, the only world system that does not have sponsors and financiers is the SPAWHE system. Space navigation system with the SPAWHE rhyme not tested by governments and world sciences.

Aeronautical and space evolution cannot take place with fuels, rockets and aerodynamics, but with interactive linear motors, the associated thrusts of Newton and Lorentz, the artificial heart oxygenating blood, the interstellar dust capture system and the implants based on fluid dynamic principles that interact with electromagnetism.



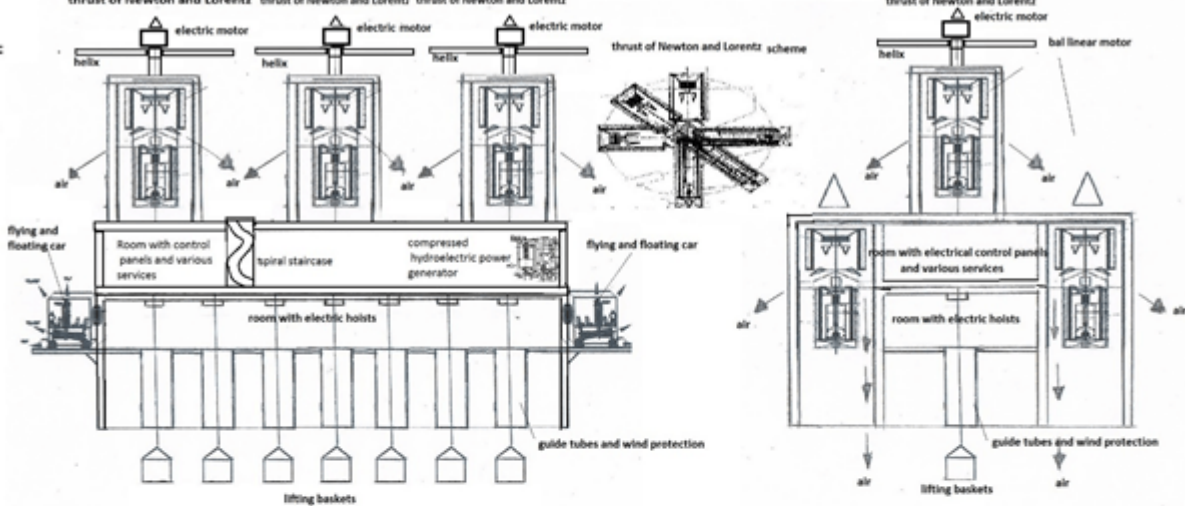
SPAWHE, with the help of God, could eliminate global pollution, feed the entire world population with artificial welling without working the earth, extend human life, connect terrestrial electromagnetism with that of space. Consequently, to allow terrestrials to colonize space without energy costs and large spaceships, but very simple interactive terrestrial plants still misunderstood and Boycotted by world public and private science at the service of current governments and multinationals. In fact, Albert Einstein only revealed how specific and general relativity works. Everything else is explained in the nursery rhyme of <http://www.SPAWHE.eu>.

Energy autonomous space container with inter-space dust capture system, internal space survival plants and local displacement

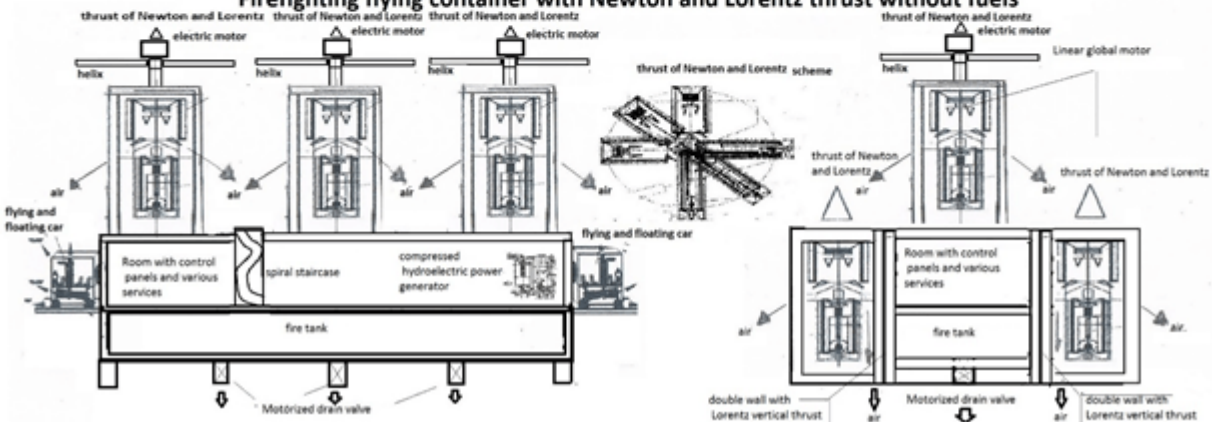
Dear Editors and Readers, I report below the rhyme of unwanted inventions by science and world governments updated up to the use of interstellar dust in space containers. My original idea was to clean the combustion air from CO₂, which I also patented internationally, in the general disinterest of governments, science and entrepreneurs, by producing carbonates in the water of purification plants at room temperature. Obviously these plants would have had to be modified all over the world according to my projects to purify water and air together, exploiting not only inorganic chemistry, but also the physical principles of Henry and Dalton regarding the solubility of gases in water as a function of pressure. Unfortunately, the world ruling class, including the scientific one, canceled my patents without financing them. I insisted on my solution, to make it more and more economical in its initial weak point, which were the high energy costs due to the large circulation of water needed, due to the low solubility of carbonates in the water, until I realized that by modifying the pumps, and the way turbines and autoclaves work, we can produce large quantities of energy without any type of fuel. Unfortunately, I have done nothing but increase the silence of the world ruling class, including that of science, which divided into many separate sectors, has forgotten the existence of the fluid dynamic principles that if fully applied would produce all the primary earth energy for free and space that serves to power induced electromagnetic energy without resorting to thermodynamics and nuclear energy and current renewables. It is sufficient only to increase the operating pressures of the systems, modify the circulation pumps and make the machines work differently. In fact, natural interactive systems expel, with the times required by nature, the elements extraneous to natural cycles, due to accidental polluting phenomena, including direct and indirect thermal effects due to volcanic explosions, to natural fires that have always existed on the planet. The current industrial activities of men have multiplied exponentially the elements extraneous to natural cycles, therefore nature is no longer able to restore interactive balances. Here is the nursery rhyme:

"In my patent filings and on the website <https://www.spawhe.eu>, I explain how we should have created global plants that purify both fumes and water at the same time before they go to pollute the soils, rivers, lakes and seas. Having not done this in any country in the world, it has not been possible to advance the state of the art of purification to make it known to other countries. Therefore, the advancement of the state of the global purification art has not occurred. Consequently, it was not even possible to notice that the water circulation pumps, if we make them work in the direction of gravitational force, by placing them in series with the turbines, we could extract the energy directly from the environment. Having not done this, it was not possible to realize that the water circulation pumps, if in addition to making them pump in the direction of gravitational force, we modify them on the suction side and make them another inlet clearly separated from the main one up to the same impeller, we can always use the same water to create energy because we use one feed to recycle the water from the upper basin and the other feed to introduce into the same impeller the water discharged from a turbine fed by falling water from the same upper basin. Not having done this, it was not possible to think that by replacing the upper basin with a pressurized autoclave with compressed air, it being understood that we use a turbine connected to the outlet of the autoclave, we can recover the water drained from the turbine and insert it back into the autoclave, whose pressurized water is recycled with the same impeller of the pump by means of the second supply. In this way, with the same water and the same compressed air, we would have produced a current generator that extracts energy from the environment, with quite small dimensions. Having not done this, it was not possible to further reduce the dimensions of this current generator by increasing the operating pressure of the autoclave in order to be able to mount it on cars and trucks, on agricultural tractors. Not having done this, it was not possible to think that the overall dimensions can still be reduced by using submersible pumps as turbines mounted directly in cylindrical tubes that would act as autoclaves. Therefore, these groups could be used to be inserted directly into the wells to raise the water and at the same time oxygenate the aquifers which today are polluted by agricultural fertilizers, herbicides and pesticides and fecal coliforms. In fact, we know that part of the air that pressurizes the autoclave dissolves in the water according to Henry's principle, purifying the water for free. Not having done this, it was not possible to think that the overall dimensions could be reduced even further. Even miniaturized and instead of purifying the water from the wells we could purify the human blood, placing two small autoclaves side by side that would replace the right and left ventricles, creating energetically autonomous artificial hearts that would feed the systemic circuit that oxygenates the brain and the lungs to lengthen the life of the man. Having not done this, it was not possible to think that pressurized cylindrical autoclaves can be incorporated an external cylinders containing water at atmospheric pressure, outside of which sliding tracks of permanent magnets mounted on transmission chains driven by motors can be made electric at variable revolutions that would produce an electromagnetic flux of variable intensity which would produce induced currents in a solenoid outside the same water tank. Therefore, we could produce in this tank a linear electromagnetic thrust force according to Lorentz's law at the ambient temperature, without fuel that could be added to the reaction thrust of Newton that would be produced by propellers driven by electric motors always commanded by generators of current that produce the primary hydroelectric energy, fed by submersible pumps used as turbines placed inside the central reservoirs. Not having done this, it was not possible to replace the current thermal turbofans of aircraft to travel in the atmosphere and in space with energy extracted directly from the environment, it was not possible to create flying cars, nor submarines that move with the same system without fuel. It was not possible to make the ships travel without fuel, nor to mount the same system to make mobile barriers in the sea to defend ourselves from high waters. It was not even possible to think that in the space travel of the future we can add to the global linear motors an external steel tunnel connected to the turbo fan, where it will produce a higher vacuum higher than the surrounding space vacuum and connect this tunnel with a small vacuum pump to a thickening tank of the captured powders, which will be emptied periodically letting in the atmospheric air which will feed an electrostatic filter that will recover the powders that will be used together with the other interactive purification and energy plant inventions described on the website <https://www.spawhe.eu> to make humans survive even in space without suffering physiological damage due to the absence of atmospheric pressure, gravity, food resources and raw materials to build spare parts for the machines necessary for survival in space. In fact, atmospheric air and water will fill the space caravan wagons full of human beings and will be endlessly recycled, suitably replenished with artificial photosynthesis and carbon cycle, while general gravity will be reinforced, becoming very similar, to the terrestrial one, electrostatically polarizing the paths of atmospheric conditioned air and recycled water in the interactive, energy and purification, compressed hydroelectromagnetic plants, still unknown to terrestrial science." Luigi Antonio Pezone

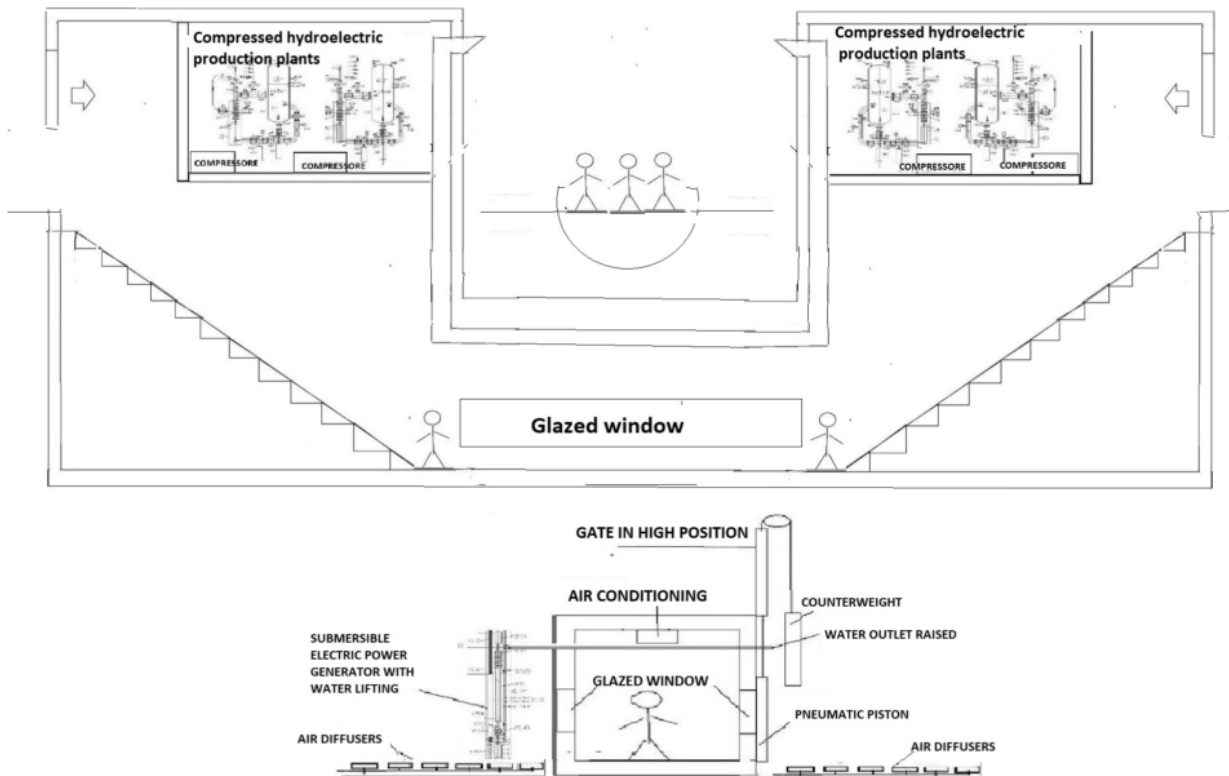
Flying container for the rescue of migrants with Newton and Lorentz thrust without fuel



Firefighting flying container with Newton and Lorentz thrust without fuels



high water defense system for individual Venetian canals with view and oxidation of the seabed



The drawing above extracted from the article

<https://www.spawhe.eu/world-governments-that-reject-the-extraction-of-clean-energy-from-the-environment-reject-a-perennial-scientific-windfall-from-the-sky/>, schematically, shows how it could be possible to create submerged crossing tunnels, especially at the ends of individual navigable canals with small boats that are not disturbed in their navigation. The energy produced through the compressed hydro-electromagnetic current generators that can be created in the access compartments to the submerged tunnel and the submerged current generators can supply all the energy needed to power the street lighting of the lagoon city, power the compressors that power the diffusers of air, raise and lower the gates and raise and return to the sea the waters that manage to infiltrate through the seals of the bulkheads. Always with energy costs equal to zero as regards the extraction, refining, transport, purification processes of the energy produced. The only costs that the citizens of lagoon cities like Venice will bear will be those due to the wear and tear of the machines that will operate throughout the year to trigger the energy and purification processes which, as we know, cannot take place on their own. These processes, as described in the title of this article are an authentic scientific windfall fallen from heaven still misunderstood by the current scientific advisors of world governments. Other than the investment and management costs that are charged to the Italian people by the monster of Venice. (each lift cost 272 thousand euros, while in 2021-2022 the costs dropped to 211 thousand euros per lift, thanks above all to improvements in procedures: for example, in the past it took 60 minutes to raise the gates, while now it takes 30). I have not filed this further environmental and energy solution as a patent because I do not believe that current world institutions are able to implement these innovations, otherwise they would have also included my other forty previous inventions on these topics, which are still waiting for some country to implement them, although, legally, no one, public or private, owes anything to the inventor, who has not paid the maintenance fees on granted

patents and has not filed legal oppositions on non-granted patents. It is clear that there is something very serious, which is not right, in the entire world ruling class.

Conclusions

In the following article <https://futurism.com/the-byte/scientists-warn-climate-collapse-2100> published in the journal BioScience, it says that a document warning that “life on planet Earth is under siege” as we continue to spiral ever faster towards environmental collapse has been co-signed by more than 15,000 scientists from 161 countries. I wonder what solutions these scientists propose other than the usual renewables which are worth nothing compared to interactive purification and energy systems. I believe I have practically demonstrated that planet Earth, unfortunately, is governed by power lobbies, not only political and economic but also scientific and academic, otherwise at least some of these inventions would have had to have been tested and we would know if they work or not.

published in the journal BioScience, it says that a document warning that “life on planet Earth is under siege” as we continue to spiral ever faster towards environmental collapse has been co-signed by more than 15,000 scientists from 161 countries. I wonder what solutions these scientists propose other than the usual renewables which are worth nothing compared to interactive purification and energy systems. I believe I have practically demonstrated that planet Earth, unfortunately, is governed by power lobbies, not only political and economic but also scientific and academic, otherwise at least some of these inventions would have had to have been tested and we would know if they work or not. It was useless to explain to bureaucrats graduated from Italian and European universities that perpetual motion does not belong to my culture as an inventor as it is simply useless, not being able to consume or even produce energy. My inventions are based on a long experience acquired in the installation of

industrial and environmental systems which are imperfect in terms of organizational work, since they do not sufficiently exploit the interactive principles existing in nature, due above all to the gravitational force and electromagnetism that terrestrial science has been able to invent, but not adequately exploit to extract clean primary energy at atmospheric temperature and pressure. My activity as an inventor has focused, above all, on the fluid dynamics of water and air and terrestrial electromagnetism which has nothing to do with current renewables which are in any case mono-disciplinary commercial energies that are not able to exploit the gravitational force and terrestrial electromagnetism to connect to universal electromagnetism, to the point of adding together the Newton and Lorentz force which can only be added cold in fixed and mobile systems. In fact, all my inventions are based on improving the contacts between water and air first at a purifying level and in subsequent inventions, on improving the force that water and air can produce together coupled with terrestrial electromagnetism, which is very different from the universal one, being developed with permanent magnets, coils of wires protected with insulating paints, certainly not suitable for nuclear and thermal energy. These considerations of mine, which strangely, on planet Earth, no one seems to have made, could allow us to extract energy from the environment for free in every corner of the Earth, in small and large, fixed and mobile, fuel-free anthropic plants, nuclear energy and inefficient and cumbersome renewables, as explained extensively in my inventions and articles published on <https://www.spawhe.eu> . These considerations of mine, which strangely, on planet Earth, no one seems to have made, could allow us to extract energy from the environment for free in every corner of the Earth, in small and large, fixed and mobile, fuel-free anthropic plants, nuclear energy and inefficient and cumbersome renewables, as explained extensively in my inventions and articles published on. The old multinationals have produced global warming, also losing

out economically. The new ones are equally wrong as they do not have the strength and interactivity to act where needed, when needed, in a simple and economical way, without industrial transformations, marketing and transport of energy. It is a global shame that not a single euro has yet been spent on planet Earth to test my solutions. I am not an anarchist but an honest and impartial inventor, paid by no one, disappointed by all the world's institutions, without exception. However, I believe that planet Earth should be governed scientifically, because only science cannot make mistakes, as long as everything is tested and verified practically through prototypes demonstrating the efficiency of the inventions before producing them in billions of specimens, as was done with the current inventions of multinationals. But also large public works such as dams which have produced more disasters than benefits.

You can't accept anything sight unseen. This is why there are patents that describe to the relevant authorities how the invention will be created and how it works. But patents can have commercial production and public utility objectives. It is not difficult to identify the difference between commercial and public utility patents, yet, private inventors who deal with these types of problems are punished by legislators, to leave the field free to institutional inventors, who, as mentioned, by not paying filing fees and maintenance (paid by taxpayers), they only collaborate with multinationals, isolating inventors who try to do the work they should have done, without funding, laboratories and workshops to test interactive inventions, which are the only ones that could save the life of the planet, reduce the current gap between rich and poor, save many lives from climate disasters and even extend the human lifespan, because the human body also benefits from blood purification by means of an artificial heart that exploits the principles interactive. Ci vorrebbe un minimo di coerenza da parte dei governi e delle Nazioni Unite. Non si dovrebbero richiedere agli inventori che si occupano di

problemi ambientali e sociali, tasse da pagare oltre a quella di deposito, che dovrebbe essere una tassa simbolica. Addirittura le Nazioni Unite si dovrebbero assumere l'onere della sperimentazione, in favore di tutti i paesi del mondo. Questa logica elementare non esiste nelle attuali autorità governative e nelle Nazioni Unite. Peace is also and above all built with the right inventions in the right places. In fact, during climatic and seismic disasters, the first things that are missing are energy and clean water which would never be missing if water were the energy carrier and clean air and gravitational force were the primary source. of world energy, as the undersigned has proposed since 2015, while science itself, which makes useless appeals, has not said a word to ask for the experimentation of interactive inventions. My proposal published on 28. 02. 2020. to create a joint-stock company to make up for the errors, omissions and wasted opportunities by science and the world's centers of power, up to now, has not raised even a single euro. <http://www.spawhe.eu/a-global-stock-company-against-errors-omissions-and-opportunities-wasted-by-science-and-world-power-centers/>.

Luigi Antonio Pezone