

COP29 and G20 2024. The conspiracy of the powerful against sustainable development.

The mountains of politics, science and economics have given birth to inefficient mice against global warming, while the SPAWHE system, which could save the climate, politics, science and economics was conceived by an ordinary pensioner without public and private money.

Summary

This year, by pure coincidence, COP29 and the G20 were held simultaneously, the first from November 11 to 22 and the second from November 18 to 19. For me, neither event has put its finger on the sore point that created global warming. The subtitle of this article summarizes what in my opinion is the real cause, having lived on the front lines of industrial and environmental experiences both as a designer and installer of anthropic systems and as an inventor for a total of 55 years. In fact, scientific and technological progress alone is not enough to save the planet. Equally important is the study of the scientific organization of work, both at an industrial and environmental level, which deal with two different aspects of scientific and technological progress: The industrial one deals with increasing the speed of productivity of scientific inventions. The environmental one deals with the verification that industrial productions close within the scope of fixed and mobile anthropic plants, all the thermal, chemical, biological cycles that open, so that the terrestrial environment remains unaltered at the end of the industrialized processes at all levels of human activities, including agricultural, urban activities, land, marine, aeronautical,

submarine and space transport. Therefore, the study of the scientific organization of work is equally important as scientific progress, because it automatically leads to selecting which scientific solutions to adopt on planet Earth and which ones to discard. No one on planet Earth has wanted to make this selection seriously so as not to slow down the growth and distribution of global wealth. But today it is necessary to do so because the current system has created a growth that has created global warming and the unequal distribution of world wealth from which arise, not only the climate problems we are experiencing, but also those due to migrations from countries that cannot survive autonomously and those that try to expand, occupying other countries to have more (wrong) energy sources and commercial outlets on ports for the transport of goods that are largely obsolete from a scientific and technological point of view, precisely because they are produced with an obsolete development model. The SPAWHE System that the undersigned has begun to develop since 2006 has changed both the way of producing world energy, and the way of distributing world water, and the way of producing world wealth, and the way of carrying out world transport. As everything would be connected in a single interactive system that would extract clean, cold energy directly from the earth's environment, when needed, without producing any type of pollution, eliminating the costs of fuels and nuclear reactors. Solar panels and wind energy are not even needed.

Oggi sul pianeta Terra non ci sono punti di riferimento affidabili dal punto di vista scientifico, morale, politico economico, a parte le religioni, che non si occupano di scienza e tecnologia, e concorrono alla spesa pubblica con i contributi statali a sottrarre risorse ai pochi inventori non legati ai centri di potere mondiali. I quali, oltre a non essere pagati da nessuno, sono costretti pagare tasse di deposito e di mantenimento dei brevetti, dalle quali dovrebbero essere esonerati, se propongono soluzioni di pubblica utilità sociali. È incredibile l'isolamento in cui si

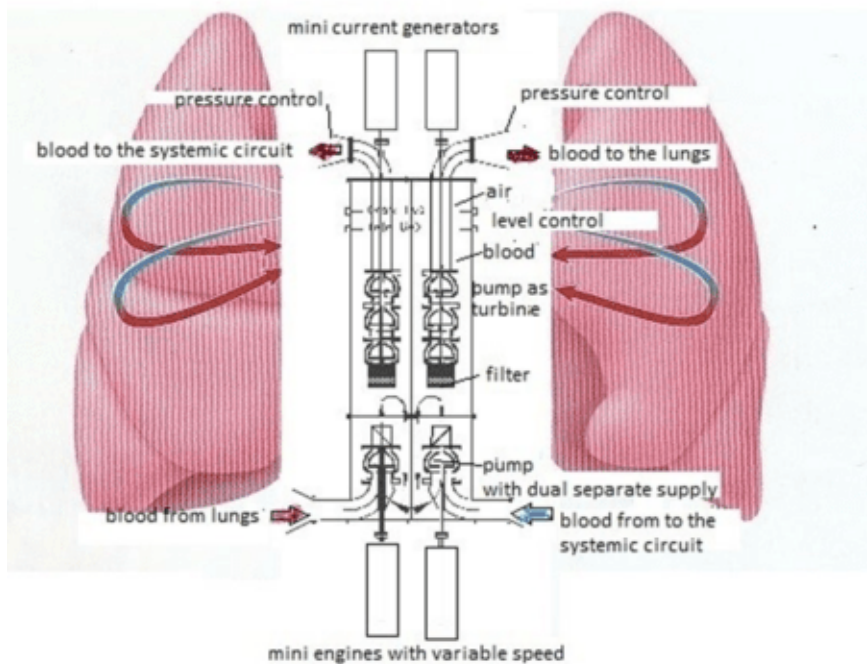
viene a trovare un inventore non legato ai centri di potere economici pubblici e privati. Lo dimostra il fatto che nessuna delle mie oltre quaranta invenzioni che sostituiscono il sistema SPAWHE è stata finanziata. Nemmeno alle ventisette al quale è stato concesso il brevetto italiano e alle sei che hanno ricevuto il titolo di brevetto internazionale.

Io credo solo attraverso l'organizzazione scientifica del lavoro applicata globalmente e imparzialmente è possibile inventare soluzioni sostenibili dal punto di vista scientifico ed economico. Ma l'aggiornamento deve essere fatto in tutti i settori, senza trascurarne nessuno. Non è un caso che il sistema SPAWHE, si basa soprattutto, sull'energia idroelettrica sfruttata senza il salto idraulico, che poteva essere inventata almeno cento anni prima e avrebbe cambiato il mondo scientifico, tecnologico ed economico, perché avrebbe consentito di attingere a una fonte energetica infinita, fissa e mobile, a tutte le ore del giorno e della notte a qualsiasi latitudine e longitudine del pianeta indipendente dalle condizioni climatiche. A quasi dieci anni da tale invenzione, l'intera classe dirigente, compresa quella scientifica, la ignora, nonostante il sottoscritto, isolato come in appestato, abbia continuato a lavorarci da solo, applicandola in tutti i settori, perfino in quello sanitario, aeronautico e spaziale, senza un solo euro di finanziamento pubblico e privato. Mentre i governi e le multinazionali, di comune accordo, cercano di difendere i loro investimenti sbagliati occultando le invenzioni di un semplice pensionato. Il quale con gli scarsi mezzi economici che aveva ed ha a disposizione, non poteva fare altro che proporre invenzioni semplici ed elementari, suggerite dalla natura stessa, che non emettono gas e vapori inutili ai fini energetici. La temperatura dell'ambiente esistente è sufficiente a produrre tutta l'energia che ci serve, variando soltanto le velocità e le pressioni per incrementare le produzioni alimentari e tecnologiche secondo il fabbisogno del popolo mondiale. Ma ogni cosa deve essere fatta nel modo giusto, al posto giusto, chiudendo negli

impianti antropici, fissi e mobili, tutti i cicli che aprono. Questo ragionamento elementare non lo fa nessun impianto pubblico mondiale e nessuna multinazionale mondiale perché sono tutti specializzati in specifici settori. Lo farebbe soltanto il sistema SPAWHE, che il sottoscritto ha concepito in una vita di lavoro nella industria, nell'ambiente e con riflessioni da pensionato, perché la mano destra della scienza e della tecnologia non sa quello che fa la mano sinistra, se non sono sincronizzate da un cervello imparziale, non legato al potere temporale degli uomini, ma a quello di Dio che ha creato la Terra come una oasi particolare in un universo, che non è ospitale per le delicate vite degli uomini, animali, vegetazioni terrestri. Pensiamo alla bellezza dei fiori, delle farfalle a cui gli uomini non danno nessun valore. Mentre valutano come opera d'arte una banana attaccata a una parete con il nastro adesivo, 6.2 milioni di dollari. La vera bellezza ha perso ogni valore. Per questo i governi e le multinazionali si guardano bene dal finanziare il sistema SPAWHE. Per questo esistono le guerre economiche, con armi di tutti i tipi e dimensioni. Chi ha più armi è anche più ricco e non dà nessun valore alla vita degli altri. Non vuole la pace, ma l'iniqua distribuzione della ricchezza mondiale. Per produrre più armi si trascurano le invenzioni che avrebbero estratto gratis l'energia pulita direttamente dall'ambiente sia ai poli che all'equatore di giorno e di notte, in tutte le stagioni, perché l'energia non ha bisogno di essere trasportata su tralicci di alta tensione. È sufficiente conservare nell'impianto energetico, l'acqua allo stato liquido e l'aria allo stato gassoso che fungono rispettivamente da vettore energetico e da fonte energetica. Quest'ultima alla pressione scelta per ogni singola applicazione. La tecnologia che abbiamo già sviluppato è sufficiente a creare un modello di sviluppo alternativo a quello attuale, che potrà anche allungare la vita umana con l'invenzione del cuore artificiale ossigenatore del sangue umano e portarci nell' spazio con i motori lineari globali che potranno sommare a freddo la spinta di Newton e Lorentz per

uscire dall'atmosfera e proseguire nello spazio solo con quella di Lorentz, come descritto negli appositi articoli.

ARTIFICIAL HEART OXYGENATOR OF BLOOD, ENERGETICALLY AUTONOMOUS.



The artificial heart of man, proposed in this patent deposit, closes the circle of sustainable energy based on the only physical principle possible in every remote corner of the Earth: the bypass of the force of gravity and of the elastic pressure of the air that it can be realized everywhere, even in the man's chest, using pumps with the double supply separated until to the impeller, which science, industrialists and world legislators pretend to ignore in order not to admit that they have wronged the entire industrial and economic development. Everything would have been simpler, cleaner and cheaper if this invention had taken place a hundred years earlier, as it could have been. The artificial human heart is the miniaturized version of the autoclave system, already reduced, to make it enter the wells' shirts, to purify the water producing energy. Entering the chest of the man to purify the blood producing the energy needed by the brain is not much different from expected for the wells. They serve two mini parallel autoclave systems that replace the right and left atria ventricles. The two pumps that feed them, with the double supply separated until to the impeller, allowing the balance of the hydrostatic thrust in suction and delivery, allow to get the blood coming from the systemic circulation in the mini autoclave on the right and the one coming from the lungs in that left, bypassing the compressed air pressure. This system works autonomously because the mini autoclave ejects at the same instant the quantity of blood equal to the one that enters, due to the principle of impenetrability of the bodies, through a mini pump used as a turbine connected to a direct current generator. The energy spent by the pump motor is about a tenth of the energy produced by the generator. This allows us to have enough energy available to produce the amount of compressed air necessary to the autoclave and the management of an electronic control unit that with a three-word voice command: "rest, normal, fast" manages the flow and the blood pressure according to the physical activity that it carries out. Although it is the air pressure that circulates the blood in the pump used as a turbine, since the circulation is one-way, apart from air solubilized in the blood with purifying effects, there is no other consumption of compressed air because it is exploited statically and not even electricity to produce it. Although it is the air pressure that circulates the blood in the pump used as a turbine, since the circulation is one-way, apart from the solubilized air in the blood with purifying effects, there is no other consumption of compressed air and electric energy. As published on <http://www.spawhe.eu>, this solution was found by myself after many years spent trying to improve the purification systems of water and air and many patents filed in vain. However, the study served to ascertain that world science has identified single and incomplete scientific principles, which used singly have polluted and warmed the planet. Only with the invention of the pumps with the double power supply separated to the impeller, the undersigned has found the key of the problem. In fact, through it, the dynamic fluid used cold between water and air, especially compressed, would have produced energy protecting the environment, consuming only moderate wear of materials, with low operating temperatures, and air pressures used statically, which would circulate the incompressible liquid. This is the true principle of terrestrial energy that, unfortunately, has not been legislated by world science, which still ignores it, hoping that in addition to myself, no one notices it. Too late. They would have to admit their mistakes, before this energy, despite their silences, also entered the human heart, were, not only it can extend the life of man for many years. But when the other organs are too old, the brain system and the artificial heart. It may also be transferred into an artificial body, which we now call robots, but governed by the human brain and the accumulated knowledge throughout life that will continue to grow even after the death of the body. Reality can overcome fantasy because in no science fiction film this form of human survival has been hypothesized. If the human soul exists it is contained in the brain and its knowledge. It will not be humiliating for anyone to survive thanks to an artificial heart, cybernetic, and some syrup specially designed by nutritionists to be solubilized in small autoclaves that will replace the ventricular atria. When we are ready to do this. We will also be ready to conquer the infinite space. Not before. With our very short current life, we cannot go very far. (<http://www.spawhe.eu/artificial-heart-oxygenator-of-blood-energetically-autonomous/>).

Everything that did not exist before the industrial era is useless and interferes with the true source of terrestrial electrical and electromagnetic energy, which is the ion exchange between the earth's surface and the ionosphere. Terrestrial energy science, not having been able to extract clean energy from the earth's climate system, has focused on fossil fuels, nuclear energy, solar panels and wind energy. But eighty percent of current energy is due to fossil energy. This percentage could today be reduced to the bare minimum just to produce steel and cast iron in blast furnaces and incinerate waste, with temperatures of a few thousand degrees centigrade. In fact, it is not possible to save poorly designed incinerators and factories that do not have the requirements to close all the cycles they open, like the ILVA in Taranto in Italy. We must find the courage to move these plants to a place where it is possible to complete both the production, cooling and purification cycle. It is necessary to connect the exhaust fumes from the chimneys to limestone greenhouses with artificial rains that, instead of producing CO₂ and carbon oxides, sulfur, nitrogen, phosphorus, would produce carbonates, sulphates, nitrates, phosphates, which would go into the seas, where they would be in their natural environment, without creating environmental problems in the atmosphere and in the soils dedicated to agriculture.

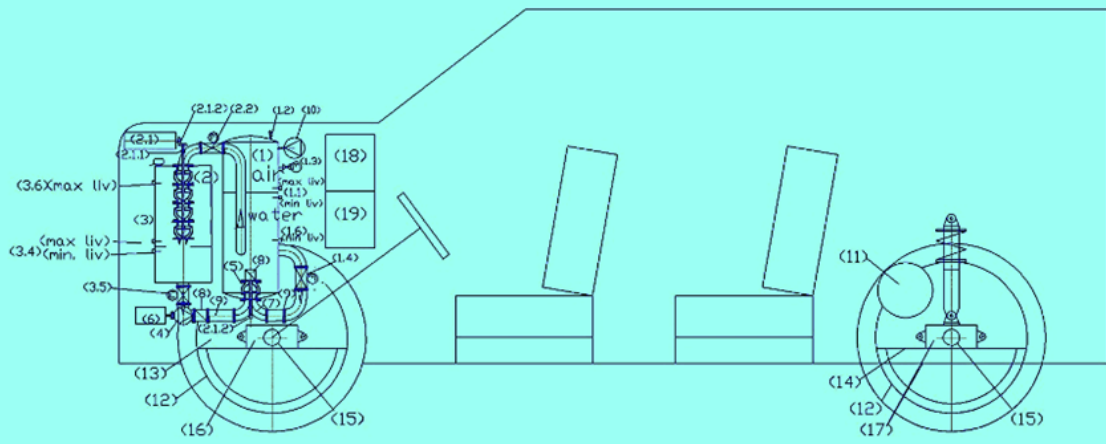
It is already a great fortune that nature allows us to extract energy from the environment for free. The powerful of the Earth cannot think of making fun of the Creator of the Universe, who, if he arranged the entire system to function perfectly without the presence of man and without the use of human technologies. Nature, indirectly, has made us understand how it is possible to correctly design anthropic systems, granting us free atmospheric air compressible even at thousands of bars and incompressible water, which together, only by exploiting physical principles, are ideal for using them, for energy purposes, without extraction, transport and industrial transformation costs. In fact, they are

respectively the source of energy (compressed air) and energy vector (water). The reflections on the scientific organization of industrial and environmental work led the undersigned, first to create interactive cycles of cleaning of fossil energy with large flows of water. Later, in the years 2014, 2015, he invented the system to make them cheaper, inventing submerged and compressed hydroelectric energy, which would be extracted directly from the environment without the hydraulic jump, therefore, with energy that costs nothing being extracted from water and air that are everywhere on Earth. But, since the system was conceived capable of infinitely recycling both water and air, this system will also be able to take us into space and underwater environments, where the biochemical, biophysical and electromagnetic characteristics of water and air will also be needed. In these plants of the future, the current ones being completely wrong, it will be necessary not only to recycle water and air but also to neutralize the CO₂ produced by human respiration and by plants grown in the same environments with hydroponic solutions, which are essential for human survival. We must not forget that even the artificial heart oxygenating the human blood works with the compressed hydroelectromagnetic system and therefore the elderly men, who will be equipped with it, will have greater autonomy of survival, in environments without oxygen compared to the young men who will not be equipped with it.

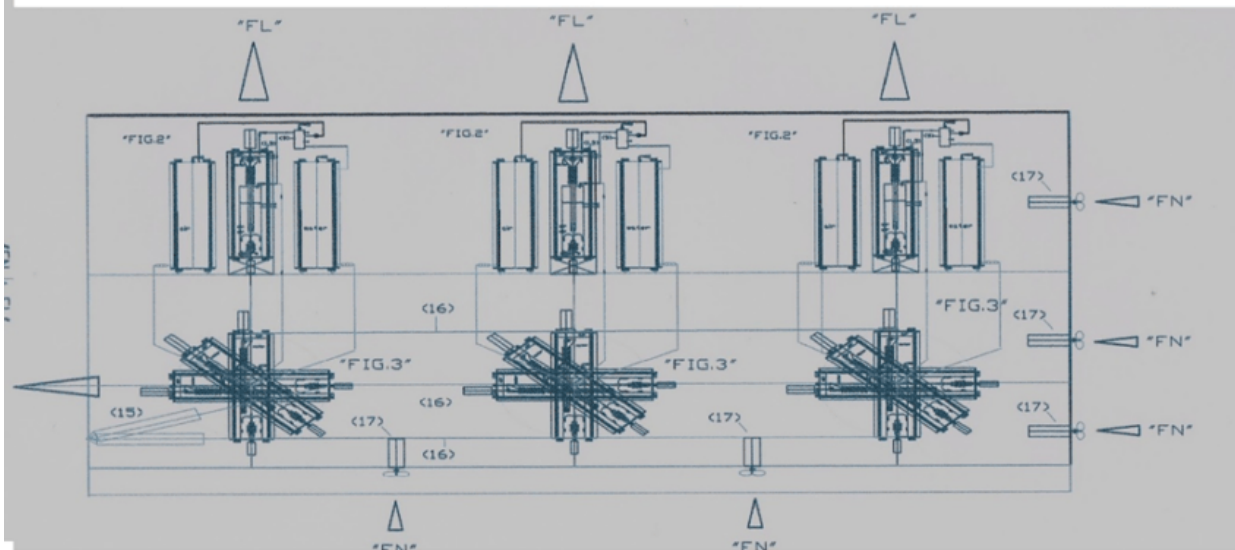
With the SPAWHE.eu system, everything will become more efficient, simple and economical because compressed hydroelectromagnetic energy is cheaper, smarter and more interactive. It is not a simple liquid or an energetic gas that produces pollution and that if not purified intoxicates travellers. Therefore, compressed hydroelectromagnetic energy, although it is the cheapest energy on planet Earth, is an energy of a much higher level than current ones, which does not interfere with the natural terrestrial energy system, with the production of CO₂, steam, electrostatic currents. The

economy of the energy source is evident, as it also eliminates the costs of extracting fossil energy and industrial transformation to obtain the fuels we know and the new ones such as hydrogen which however has high costs and is consumed. It cannot take us into space while compressed hydroelectric is infinitely regenerable, as described in the appropriate articles.

Electric cars make no sense if the energy accumulators are charged with the energy of thermal and nuclear power plants that are forced to produce even more energy to make up for the low efficiency of the energy accumulators. Even less sense do the urban aeronautical vehicles with electric engines that are launching advertising campaigns as an environmental improvement. These vehicles will need even more powerful energy accumulators and therefore the thermal and nuclear power plants will have to produce even more energy to charge them. Electric vehicles would only make sense if the primary global energy source was hydroelectric energy compressed with water recycling. But since this energy can also be produced on mobile plants at lower costs and with lower weights than heavy energy accumulators, flying electric vehicles do not make sense either.



ITALIAN PATENT 102016000087373 DATED 25 / 08 / 2016



Figures 7 show the longitudinal section of a generic submarine transport vehicle, which is very similar to the aerospace system, in that it transports watertight containers to the ocean floor. The difference consists in the fact that also the external frame (T) which contains the lateral primary linear motors can be hermetically closed. Just keep the Newton and Lorentz thrusts separate, making the first with external propellers connected to the electric motors (17) located inside the frame. The submarines will not need to empty and fill the sealed chambers with water to adjust the depth of navigation because the weight will be balanced by the force of Lorentz and Newton according to the formula already mentioned $P = m * (a - a_L - a_N)$, where "AL" is the acceleration artificially produced with the Lorentz force and "aN" that produced by the reaction force of Newton. The submarines of the future will be much faster, cheaper and safer than the current submarines and will be able to descend to greater depths than the current ones. The legend is not reported being it is already reported in figures 2 and others used, to which the electric turbo fans which have been replaced by normal marine propellers (17) has not been reported. The electromagnetic thrust is produced entirely with the solenoids external to the fluid dynamic systems that also produce primary energy.

What is strange is the worldwide silence on compressed hydroelectric energy that both NATO countries and former communist countries agree on. This confirms that these countries, instead of doing free and independent research, copy each other on the same types of energy, as in weapons of destruction so as not to be left behind on the commercial and military level. Real progress is of no interest. For the opposing fronts, armed peace is more important. For the entire

SPAWHE system, which is made up of over forty Italian patent deposits, of which only six have been transformed into international patents due to the high cost of this procedure, not even one has been financed. And yet, I have modified the chimneys, the sewers, the purifiers, the desalination plants, the water distribution, the artificial heart, the fixed and mobile hydraulic and energy lifting systems, including the land, aeronautical and space transport vehicles. Obviously only virtually. For this reason I have always defined my patents as intellectual, even though I know that intellectual property is not recognized by WIPO to inventors, if inventors stop paying patent maintenance fees. Please note that WIPO is a United Nations body and means World Intellectual Property Organization. And the word intellectual is part of the organization's statute. So even poor inventors have the right to propose inventions. However, of the forty patents that make up the SPAWHE system, which for me is still the only one that can stop global warming, no government or multinational has invested a single euro. The only money spent on this system was that of me to file national and international patents, which I should not even have had to pay, since they are patents of public social utility. I am not aware that writers and musicians pay filing and maintenance fees for their copyright if they cannot find publishers who publish their books or distribute their music on records.

It is very strange the behavior of the United Nations, which favors commercial inventions, of those who pay maintenance fees, instead of stimulating global and interactive inventions that would protect the environment globally. These inventions cannot be synthetic, like commercial inventions, as they must be scientifically linked to the advancement of the global industrial and environmental state of the art of planet Earth to be accepted, foreseeing their application in billions of copies. The patent system has granted me some very important Patents such as the modification of chimneys to capture emissions harmful to the environment, including CO₂; the

modification of sewers with the insertion of sewer sedimentation tanks; the extraction and mobile dehydration of sludge; the overlapping biological ponds; the vertical synergic buildings with food production; the limestone greenhouses with artificial rains; the linear sedimentation tanks with the production of biological sludge already dehydrated with calcium oxide; the submerged hydroelectric; the compressed hydroelectric; the Hydroelectric car that does not need fuel. He did not grant me the patent for the artificial heart that oxygenates the blood and the global linear motors that could take us into space without fuel, being able to add together the thrust of Newton and Lorentz. But he granted me at an international level the patent for the pump with the double separate power supply up to the impeller which for me is the simplest, most economical and efficient invention of all time as it would allow the insertion into a pressurized recycling circuit of low-pressure water that is enriched with oxygen according to Henri's principle, and with pressure, according to Pascal's principle to purify the water and produce electricity at zero cost by consuming only the wear of the materials. This invention is very important because it is simultaneously energetic and purifying, but the entire world science has not understood it. Or has it pretended not to understand it? Does the current world ruling class organize COPs to hide or promote global scientific and technological progress? And how have the G1 to the G20 favored sustainable inventions? I have spent a lifetime proposing forty inventions that would have had to be connected to each other to work. But no one has realized them and obviously, no one has connected them. I do not have another life to make the inevitable updates and connections that have never been made.

I even tried to organize a "Non-profit" fundraiser through the organization GO fund.me and FIVERR, regularly paying their collaboration for the search for donors, but I was unsuccessful. The mass scientific culture created by the consumer society is too deep-rooted and an inventor who

believes in alternative and interactive solutions, in addition to losing money to file patents that no one finances, must lose financially, also trying to create a "NO-profit" design and construction company based on my energy and environmental inventions, which are alternatives to the current ones, with the name SPAWHE which means Synergic Plants Artificial Welling Hydroelectric Energy. Where hydroelectric energy, in particular, would be very different from the current one, not exploiting a hydraulic jump, but the pressure of compressed air and the one-way flow of fresh water on earth

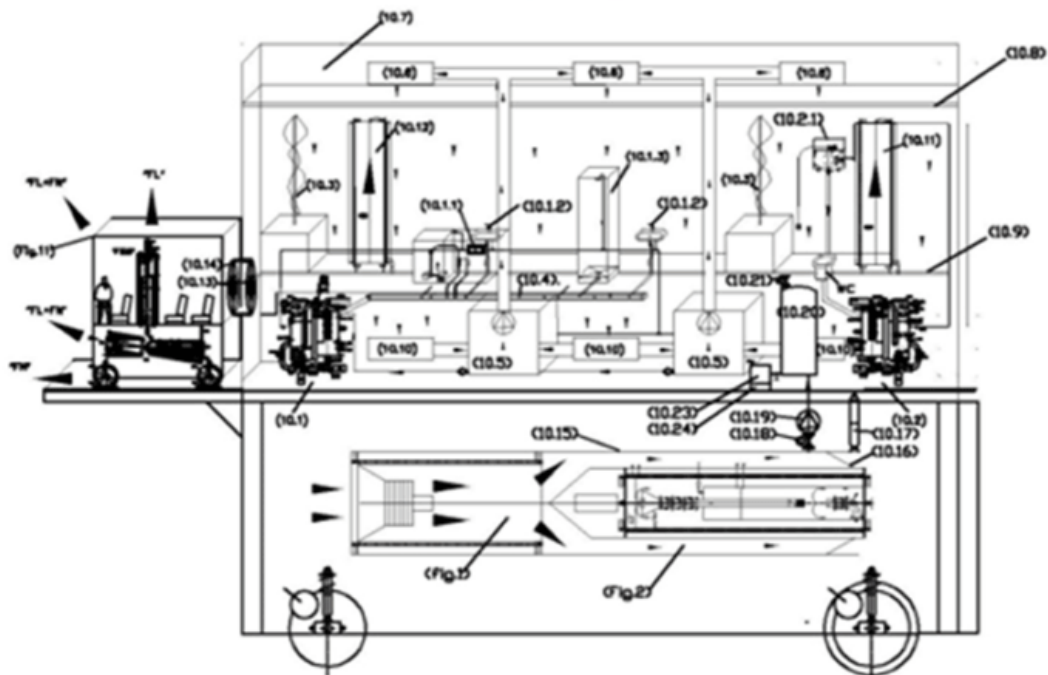
At COP 29 in Azerbaijan from November 11 to 22, SPAWHE solutions were not even discussed, as if I, who have developed them in a lifetime of work in industrial and environmental design and as an inventor, had lived on another planet. The same thing happened at the G20 summit held in Rio de Janeiro, Brazil from November 18 to 19. What can we expect from this ruling class? I am not an anarchist and I am not interested in politics. I am someone who works hard even in retirement without being paid by anyone because I believe I understand more than many others what the environmental and energy problems of the Earth are, this having been my job for fifty-five years. I have never tried to make a career to reach the top of the corporate ladder because I have always thought that if you lose sight of the details of the state of the art of industry and the environment, the world's ruling class continues to elude them, as do the solutions to fight, not only global warming, but also the solutions of the real world economy, which should bring all people to the same level of development, without being forced to try to migrate to other countries driven by hunger, while the more fortunate countries build ever higher walls and patrol the coasts to keep them out. As if they were not also Children of that God who designed the Planet so that it could accommodate a population much larger than the current one, if only science and technology limited themselves to coldly extracting energy from the Earth's environment by designing synergistic anthropic

plants, extracting from sustainable agriculture and the oceans by means of artificial Welling all the food that humans need, and replaced the main source of electricity with compressed hydroelectricity that does not need the hydraulic jump to be produced in fixed and mobile plants.

It is no coincidence that only this type of energy would allow us to add together the Newtonian and Lorentzian thrusts, which in the current state of the art of world transport have never been added because the electrical circuits needed to produce the Lorentzian thrust can only be created at Earth's temperature. As for nuclear energy, we do not need it. It is sufficient to simply excite the atoms, without dividing them, to obtain important industrial and medical applications, such as laser beams and nuclear medicine. All inventions that do not interfere with the Earth's climate are welcome. The SPAWHE system, on the other hand, interferes positively, as the more energy we produce, the more we will purify the environment as the energy source (air) dissolves in the energy vector (water) according to the principles of Henri and Dalton, purifying each other. For this reason, this is the only energy that can also take us into space, being breathable by man. Above all, if we want to venture into space, we must first defeat old age with my heart oxygenating human blood, which has also been boycotted by science at the service of the same ruling class that created global warming, which did not want to modify the chimneys, the sewage systems, the purifiers, finance the submerged and compressed hydroelectric with applications in basins, wells, homes, industry, the hydroelectric car, the artificial welling, the artificial heart. The global linear motors that could take us into space, creating in the space carriages a circulation of air pressurized at atmospheric pressure humidified with nebulized water recycled and purified to infinity. In practice, the men who will travel in these carriages will not feel the effects of the lower gravitational force, compensated by the pressurization of the environment and by the regulated circulation of water towards the drains

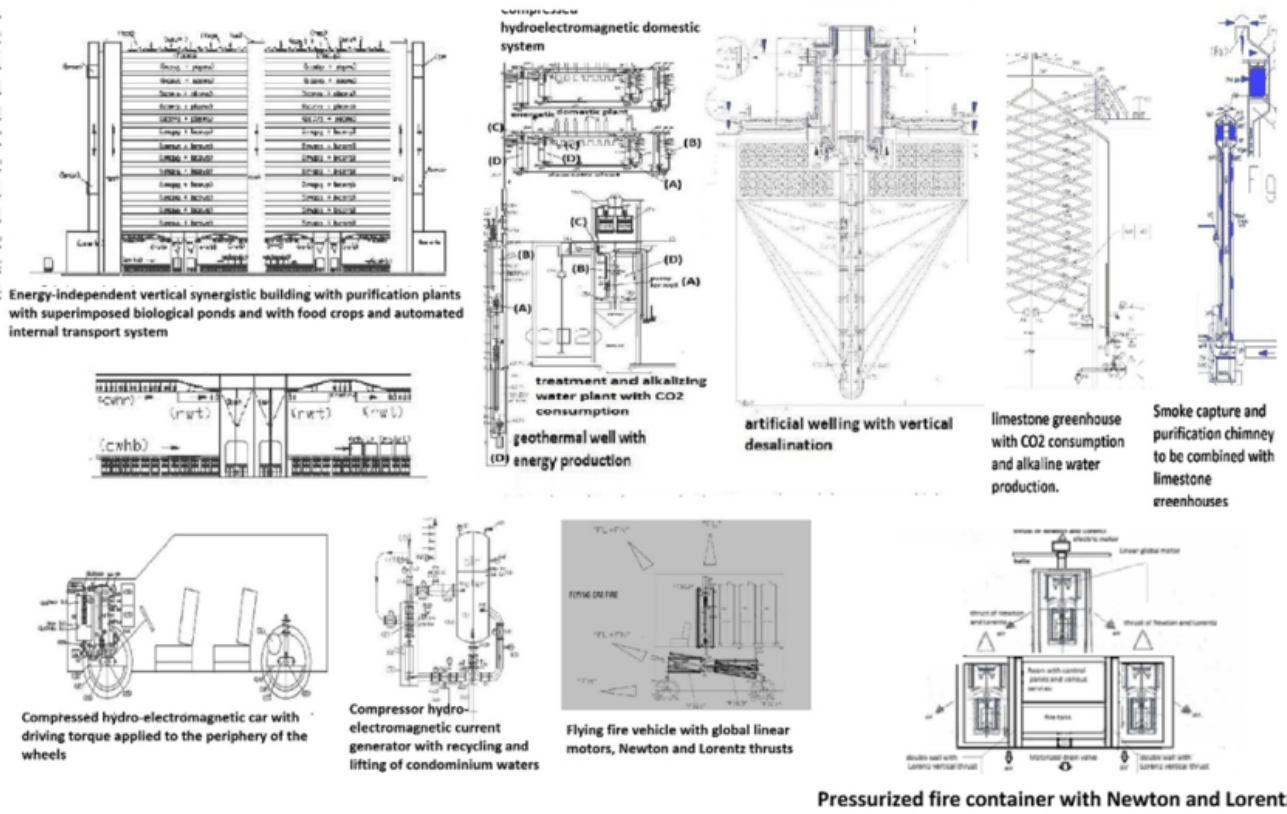
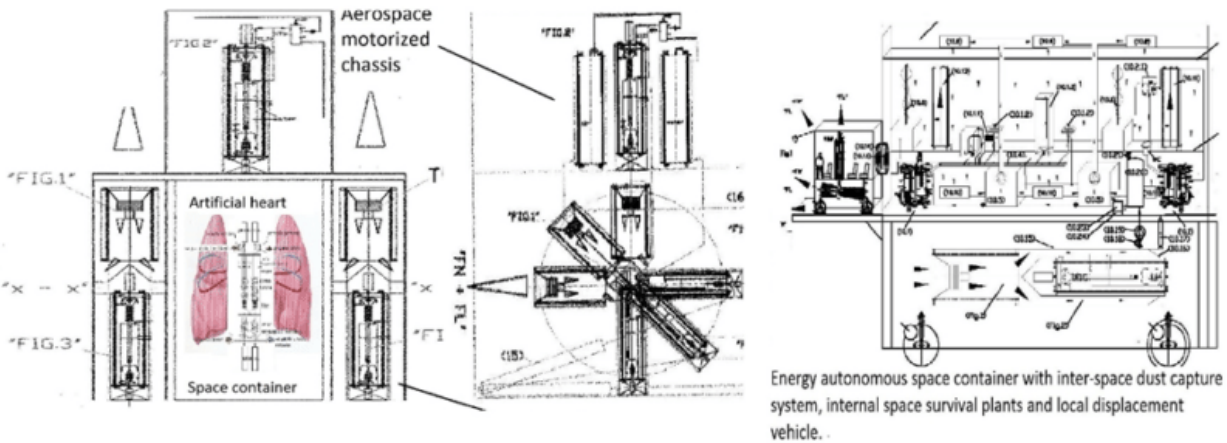
driven by mini crusher pumps and electrostatic currents, while the air will be driven by electric fans and pipes incorporated into the walls, false ceilings and service areas under the floor, as in the attached figure.

SPACE CONTAINERS WITH GLOBAL LINEAR MOTORS, INTERSTELLAR DUST CAPTURE SYSTEM AND INTERNAL SURVIVAL SYSTEMS. <https://www.spawhe.eu>



"FIG.10"

(10.1) domestic water purification plant; (10.1.1) ultraviolet disinfection system; (10.1.2) drinking water withdrawal point; (10.1.3) shower; (10.2) toilet waste water treatment plant; (10.2.1) toilet drain pan; (10.3) hydroponic cultivation; (10.4) waste water collection channel; (10.5) purification, humidification and air recycling system; (10.6) electrostatically polarized air inlet vents into the environment; (10.7) ceiling air distribution plenum; (10.8) regenerable filter ceiling in steel straw; (10.9) gridded floor with air passage; (10.10) electrostatically polarized air intake vents; (10.11) water reserve tank with external solenoid and vertical circulation of permanent magnets to produce Lorentz thrust; (10.12) compressed air reserve tank with external solenoid and vertical circulation of permanent magnets to produce Lorentz thrust; (10.13) Airtight passage porthole; (10.14) electromagnetic flexible metal bellows with external vacuum-tight gasket; (10.15) external connection steel tunnel between the electric turbofan fig1 and the compressed hydroelectric primary energy production plant of fig.2; (10.16) truncated conical sector closure of the interstellar dust collection tunnel by means of a steel rope which runs in rings external to the closing cone; (10.17) electric actuator for activating dust collection closure; (10.18) shut-off solenoid valve; (10.19) electric vacuum pump; (10.20) high vacuum dust collection tank; (10.21) air inlet solenoid valve at atmospheric pressure; (10.22) solenoid valve for interstellar dust output; (10.23) electrostatic filter; (10.24) removable container for interstellar dust; (Fig. 11) interstellar local displacement vehicle.



COP29, year 2024, that is, the official ratification that world governments are at year zero with respect to the Spawhe system, which started in the year 2006, without public and private contributions, in the protection of the environment, the production of clean energy and the sustainable economy.

<https://www.spawhe.eu>

Gli esseri umani stanno dimostrando di fidarsi più dei miliardari e dei politici che stanno distruggendo il Pianeta, che del Creatore dell'universo che aveva predisposto tutto affinché, con la delicata energia terrestre, estratta a freddo già pulita dall'ambiente terrestre, potessimo allungare la vita umana e anche andare nello spazio con il delicato elettromagnetismo terrestre che è in grado di dialogare

perfettamente con l'immensa rete universale dell'universo di origine nucleare, già predisposta dal Creatore dell'universo, non di nostra competenza, allo scopo di proteggerci da radiazioni e scorie nucleari. Purtroppo, l'uomo che ha dimostrato di non saper progettare gli elementari impianti antropici alla temperatura terrestre, si è cimentato direttamente nella divisione dell'atomo senza passare prima per le invenzioni di SPAWHE, che sono il grande anello mancante dello sviluppo terrestre. Sviluppando SPAWHE integralmente, probabilmente la scienza avrebbe compreso che l'energia deve essere aggirata, come il sottoscritto ha aggirato la forza gravitazionale inventando la pompa con la doppia alimentazione separata, che consentirebbe di aggirare la pressione idrostatica di una autoclave, inserendo l'acqua che deve produrre energia a bassissimo costo nel circuito di riciclo. Non direttamente nell'autoclave. Questo ragionamento semplice e lineare, l'intera scienza mondiale ha fatto finta di non comprenderlo lasciando solo il sottoscritto a combattere con politici, miliardari ed economisti ignoranti scientificamente. Io non ho mai pensato di arricchirmi con le mie invenzioni e le ho considerate funzionanti anche se non sono mai state sperimentate. Virtualmente, il sistema SPAWHE non solo ha sconfitto il riscaldamento globale, è anche andato nello spazio senza combustibili ed energia nucleare. Lasciando perdere i politici, i miliardari e gli economisti, che non possono entrare in dettagli specificamente tecnici e scientifici, io mi preoccupo dei silenzi della scienza che come la giustizia dovrebbe essere al di sopra delle parti. Non dalla parte di chi gli versa lo stipendio ogni mese.

Luigi Antonio Pezone