

Let's talk about the responsibilities of floods and other even more serious responsibilities.

I reproduce the following article in its entirety: "Defending the environment and the territory from floods by producing energy". Posted Feb 13, 2017, on my website <http://www.spawhe.eu/defend-the-environment-and-territory-from-floods-by-producing-energy/>, also reported on my facebook page, probably also on LinkedIn and Academia edu. Here is the full text:

Earthquakes are not caused by man, but we can defend enough well with the earthquake-resistant buildings. But in the floods there is much human responsibility, because we do not do prevention, and because we use energy systems that promote climate change, and so even floods.

I speak not only of fossil energy, always under attack and always attested on 'Eighty percent of world energy, but I also speak of hydroelectric generation, which is the queen of renewables, which is very expensive to build dams and reservoirs, but unfortunately in case of torrential rains, it produces more harm than good, because rainwater, finding the mountain reservoirs already filled, flock with greater speed in the plains.

The problem is not only Italian but worldwide, closely linked to the global state of the art in environmental protection, which can not advance because the state agencies do not know how to design globally and multinational procurement adapt happily to the same, having the insured work forever (Who makes and destroys never waste time). Even multinationals and

specialized companies that produce machines and plants provide the one that requires the public procurement market, improving performance, but not the systems. Other multinationals dealing commercial machines, that without rules, national and international, make their contribution to heat the planet, boilers, air conditioners air coolers and so on. We do not speak of environmental performance and energy efficiency of industrial plants, which certainly cannot be higher than the public state. Also they adapt happily to respect specific regulations, not global, fearing higher costs to bear. Instead, the global power systems solved at source at least 80% of the environmental problems, without cost to private companies.

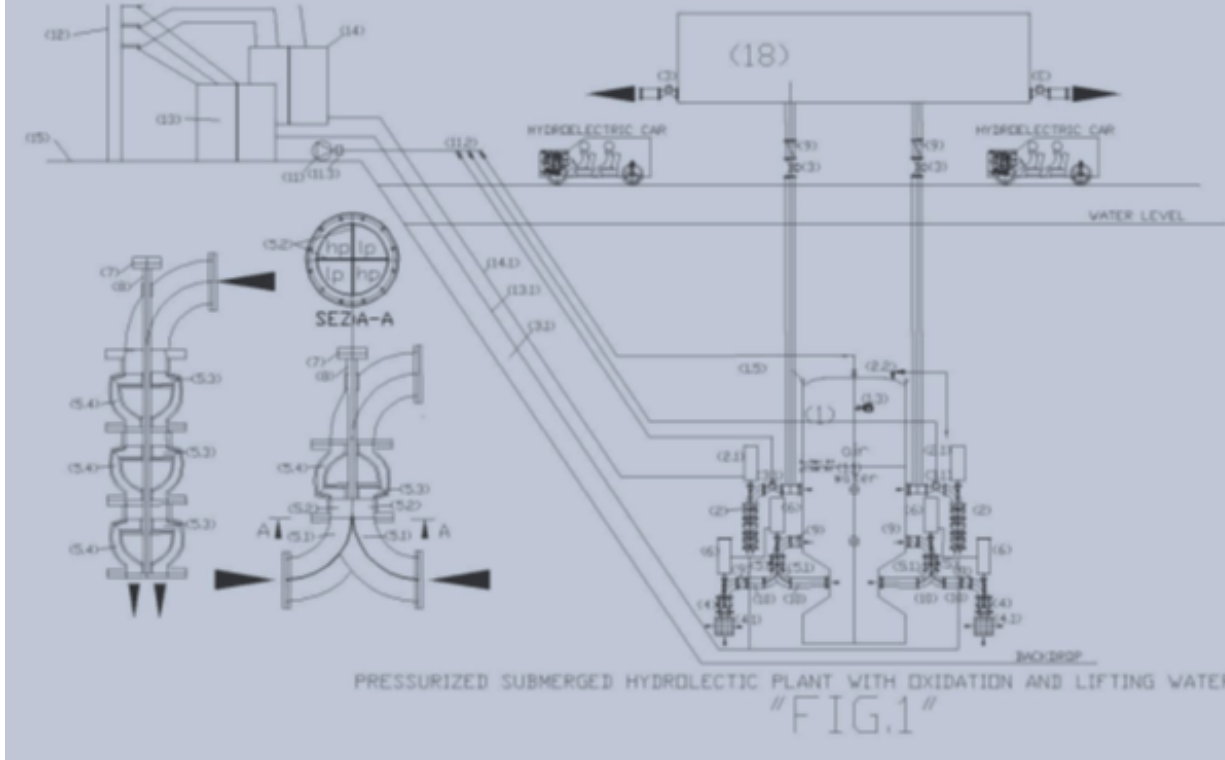
In this global context of environmental protection, where all shine for specific skills and none for global expertise, it happened to a pensioner who has installed public and private systems, of all types, teach the public and to multinational institutions, as They could put together the environmental and energy plants rationally. In this presentation we talk about a single application. The other can be found on <http://www.spawhe.eu> website. E 'was hard work, but necessary, because the interests of hand, scientific, economic policy, involving all sections of society, and no one can be expressed freely, as a pensioner. I am sure that among the many competent people share these projects but they can not publicly express their consent not to get in contrast to those who pay their salaries.

Figure 1 (in file downloaded from the web) shows the energy alternative to fossil energy and the current hydropower, which is called "Pressurized Submerged Hydropower" that needs no dams and even flooding the mountain valleys, and compared to fossil energy, It does not need fuel. It can achieve in all the lakes and rivers (realizing many of the side calmly wells to water courses) that are subject to flooding, producing energy at costs much lower than traditional coal and

hydropower, requiring no great works.

<http://www.spawhe.eu>

Defend the environment and the territory by producing energy.



This solution, energy and protective environment, interacting positively with the environment, also by oxidizing the polluted water. In fact, the submerged pressurized systems using compressed air for pressurizing the submerged tank. The compressed air volume does not vary, because in the pressurized tank enters and leaves the same amount of water, therefore, the compressed air trapped in the upper part of the pressurized tank behaves like a spring, but the effect of the principle of Dalton on partial pressures of the gases and Henry on the solubilization of the gases, we have an important effect of the oxygen solubilization due to the pressure of the air cushion. This entails an increase in purifying water self capacity, without increasing the cost of production of electricity, which are already lower than all other energy invented by man. However, the dissolving of a part of air in

the water only decreases the volume of the air cushion (which is reset by a compressor), not pressure. Therefore, the spring that pushes the water out without cost from the tank continues to operate.

This important renewable energy solution, purifying and for environmental prevention is possible because the invention of the pumps with the dual separate power supply (5), which will allow continuous internal recycle to the accumulated volume of water. Which, based on the fact that water is not compressed, balancing the buoyancy in suction and discharge of the pump, therefore, not only it allows you to circulate water with very little prevalence and very little electricity, but also to include, through the second suction mouth, inside the impeller, low pressure water, which replaces the expelled from the air cushion. (In the current autoclaves, not fed with the pumps with the dual separate power supply until to the impeller, water can enter only winning the pressure of the air cushion, with an immense energy expenditure, therefore the current autoclaves only serve to decrease the number of starts of the pump motors and mitigate the disruption phenomena of variable motion). Under the new system, we get around the pressure of the air cushion with water entering in the tank and exploit the same pressure to out with more energy by supplying the turbine (2).

In the case of floods, When the water of the river or lake rises to an alarm level, gradually, we reduce, the production of energy by the turbine and divert water to the basin (18) that transfers it into security zones specially prepared low while maintaining the water level of the river or lake that create alluvial dangers.

Practically, in the year 2017, if we had already replaced all thermal power plants with "the Mini Hydroelectric power stations Pressurized Submersible" we would have no fear of floods and at the same time, we would have treated water everywhere. Because these systems, from an economic standpoint

cost much less fossil energy and technical and scientific point of view, are more than logical, and can be made of any size and quantity along the water courses, you have to wonder why for which there are not even the reasons why these hydropower solutions that I'm carrying out for a couple of years, only collect silences around the world, without a single euro of funding. Meanwhile, they continue to waste resources in old energy and new, who cannot compete in any way for cost-effectiveness and environmental usefulness of pressurized waterpower solutions. Not surprisingly, in the same design, on the shore of the basin are represented two hydroelectric car. In fact, since, when we produce energy from the designed circuit it does not come out nor water, nor compressed air, this system can be used to motorize all land vehicles, marine and air. But, obviously, for existing thermal engine manufacturers, that the advent of the industrial age have invested in fossil energy, it is not convenient change technology, as for pumps manufacturers, not convenient to change the pumps in lifting equipment, until when in the international regulations, public interest, does not oblige private builders to build hydroelectric and thermal engines in place of ones and pumps with double separate power up the impeller instead of existing pumps.

The global engineering of power equipment and water treatment together exceeds all expectations also from the economic point of view, because it does not waste any resource physics and chemistry of the elements used. This showed the SPAWHE system without a euro of private or public financing, entering into the details of environmental and energy design, while using the same scientific principles and the current state of the art in machine construction. In fact, in the design of a purification plant and energy, every technical detail involves a choice between the public interest and the private sector, or between the local and the global interest. The set of details carry the complete system that can define local system if it tackles a single problem and global system if it tackles

many problems. If the world's environmental and energy authorities were competent, they would have realized that to protect the planet, the health of humans and animals, in the end, the global system, as well as more efficient, it is always more economical of the partial purification and energy plants that not exploiting the synergies between more systems, waste resources, first materials and energy transport costs.

The world's authorities of science, politics and economy what expect to assume their responsibility? The authorities of the past have had no choice. If they were wrong, they have extenuating circumstances, because the protective energy solutions of environment, not cumbersome, not fuel, had not yet been invented. These solutions, relieving the balance of payments of countries like Italy, not producers of fossil fuels, would make available immense availability of wealth, even to prevent the damage of earthquakes, reinforcing homes and historic monuments.

But the of the submerged hydroelectric pressurized energy, in particular, while being interactive with the environment will cost even less than the simple extraction and refining and transportation of oil. So, the authorities of science, politics and economics, before funding new energy, calls renewable, just because they do not emit CO₂, but have very low yields large dimensions, high cost, and high environmental impacts, and are not interactive, must think about it very well.

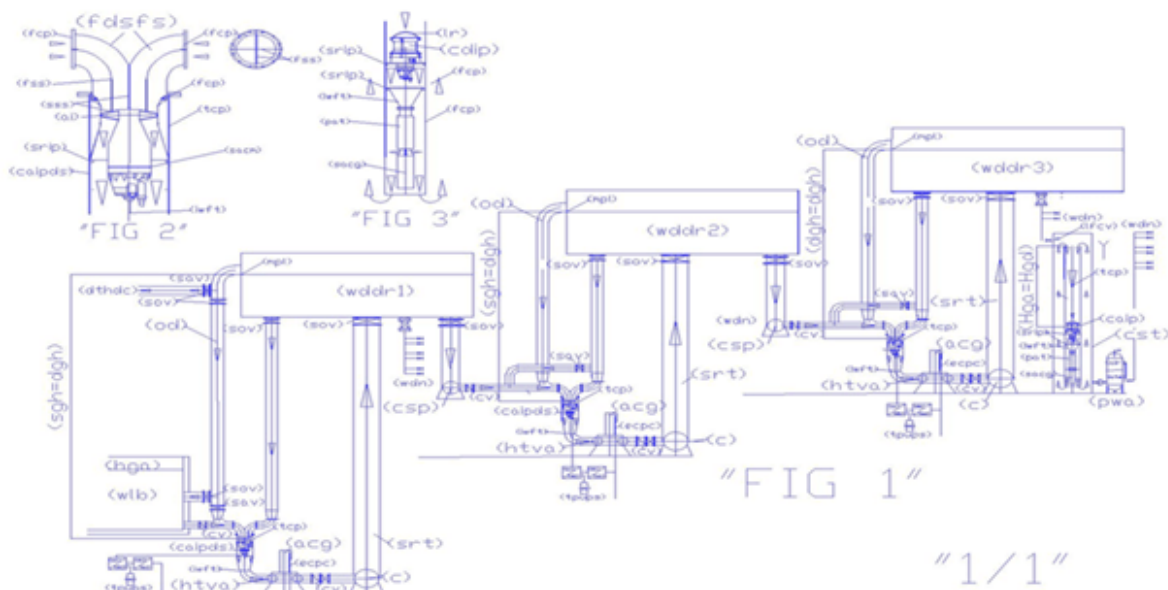
Those who hope to get into the history of humanity, as a scientist, politician and economist will be remembered negatively for failing to recognize the usefulness of global energy systems, purifying and protective of the environment, as they are part of history scientists who invented the atomic bomb, the politicians who have created wars and economists that have created the current gap between rich and poor. The wealth of humanity is the science and technology applied globally in the interest of common.

If the powerful, by the way, do not put scientists and engineers together to find common solutions, it is said that such solutions can be hidden forever. Spawhe showed that with patience and perseverance even one technical, with no money, can rebuild logical paths, which require more specialization. The half scientific truths are like the lies. Sooner or later they will discover and also the universal science that we have handed the unsuspecting fathers of science, loses prestige. The real scientists should not allow this.

Best Regard.

Luigi Antonio Pezone

I haven't changed a single comma from the article described above, published on February 13, 2017, but I can't help but return to this topic while our beautiful region of Emilia Romagna is still partially submerged by water on May 24, 2023, with fifteen confirmed deaths, 15,000 evacuated, six billion damages estimated provisionally, while people begin to shovel mud to save what can be salvaged in homes, businesses, roads and countryside, unfortunately in the vain hope that the phenomenon will not repeat itself. I believe that only by immediately changing the world's energy sources can this hope become concrete.



With this simple scheme, hydroelectric energy could be produced throughout the year in the plains where agricultural crops are grown, keeping the level of rivers and lakes to a minimum without using mountain basins, which favor floods.

Legend of the drawings Fig 1: (ac) air compressor; (acg) alternating current generator; (ai) axial impeller; (C) collector; (caipds) capsid axial intubated pump with dual suction; (cfca) connection for fast fill compressed air; (csp) connection systems pipe; (cst) containment system tube; (cv) check valve; (dgh) delivery geodetic height; (dthdc) deviation towards hydraulic drainage canals; (ecpc) electrical current produced cable; (fcp) flange for coupling to the pump; (fdsfs) flanged dual supply and flow separator; (fss) flow separator in sheet steel; (htva) hydraulic turbine with vertical axis =; (iwft) inlet water to feed turbine; (lf) lift ring; (lfcv) level floating control valve; (mpl) probe of the minimum or maximum level (pat) pump as turbine; (ptr) pressure tested reservoir; (od) overflow discharge; (pwa) pump with autoclave; (sav) supply additional valve; (sacg) submersible alternating current generator; (sacm) submersible alternating current motor; (sfff) special flange with four feeds; (sgh)

suction geodetic height; (sov) shut-off valve; (sovfa) shut-off valve with flow adjustment; (sph) suction piezometric height; (srip) supporting ring for intubate pump; (srt) supply reservoir tube; (sss) shaped sheet steel; (sv) safety valve; (tcp) tube containing the pump; (tpups) three-phase UPS; (wdn) water distribution network; (wddr) water distribution and disconnection reservoir. (wsdr) water disconnection reservoir.

In these days of heated televised debates by civil protection experts, geologists, urban planners, politicians, environmentalists, the only aspect that has been overlooked is precisely the one denounced by the undersigned, over six years earlier, which is that of producing fixed sustainable energy and mobile, preventing the negative effects of global warming. While multinationals continue to sell gas, oil and energy, taxpayers and victims of environmental disasters pay for the damages.

We all agree that wild overbuilding favors flooding but what no one says above all is the fact that we have made a mistake in the fundamental principles of global water and hydroelectric management. As I also wrote in the article above, I have always maintained that it was a big mistake to accumulate water in mountain basins in order to produce electricity with the hydraulic jump. The works carried out to accumulate water in these basins have had very high costs to build dams of immense dimensions and also of smaller dimensions which have done nothing but increase the speed and flow rate of the water during heavy rains. It should be obvious to admit that when reservoirs in the mountains are already full to prevent summer droughts, floods become even more disastrous. This is the case of the floods in Emilia-Romagna, which occurred while all the farmers were worried about the very low water levels of the lakes and rivers of the plains. Unfortunately, it is not bad luck that haunts the world's farmers. Above all, it is public and private science that jointly established the primary sources of world energy

and purification systems. Global warming, droughts, floods have been legally made possible by governments and multinationals that have chosen the wrong energies to advance the scientific and technological state of the earth. It is no coincidence that the experts of the governments of the multinationals and those interviewed by television in May 2023 did not notice the absence of submerged compressed hydroelectric energy, which already six years earlier had the enormous possibility of keeping the waters of rivers low and of the lakes by transferring them to other artificial basins in the same plains, not consuming energy but producing it, throughout the year without wasting water resources. If necessary, these systems could also irrigate dry soils even in winter. But as I wrote above, if in the aforementioned article I symbolically indicated the cars that worked with compressed hydroelectric energy, I wanted to make readers understand that with compressed hydroelectric engines in the near future there could be a great revolution of all systems purification and energy and also of transport, including agricultural tractors, which in the near future could work with compressed hydroelectric energy, making world agriculture ever more sustainable.

However, to seriously address environmental problems, in addition to repairing the damage caused, it is necessary to enter into environmental and energy solutions and immediately ban the energies that produce CO₂ but also steam. So both fossil and nuclear energy. I don't use my own words, but an article extracted from the following internet page: <https://skepticalscience.com/translation.php?a=19&l=17>

Water vapor is the predominant greenhouse gas. The radiative flux of water vapor caused by its greenhouse gas characteristic is around 75 W/m² while CO₂ makes a contribution of 32 W/m² (Kiehl 1997). This proportion is confirmed by measurements of infrared generation returning to the earth's surface (Evans 2006). Water vapor is also the one

that makes the main contribution as a positive feedback to the earth's climate system and is also the main cause of why the temperature is so affected by changes in CO₂ concentration. Unlike other external forcings such as CO₂ that can be added to the atmosphere, the level of water vapor is a function of air temperature. Water vapor is transported into the atmosphere through the evaporation process, the extent of which depends on the temperature of the oceans and the air, being governed by the Clausius-Clapeyron formula. If excess water is introduced into the atmosphere this condenses and returns as rain or snow within a week or two. Similarly, if a certain amount of humidity is withdrawn from the atmosphere, evaporation will restore the "normal level" in a short time. Water vapour, being directly related to temperature, is also a positive feedback factor and is in practice the main positive feedback factor of the climate system (Soden 2005). As the temperature increases, evaporation increases and more water vapor accumulates in the atmosphere. As a greenhouse gas, water vapor absorbs heat and warms the air which in turn promotes further evaporation. When CO₂ is added to the atmosphere, being a greenhouse gas in turn, it has a warming effect, and therefore causes more water to evaporate and heat the air, reaching a higher stable threshold. Warming due to CO₂ therefore has an amplifying effect. What is the magnitude of this amplification? Without other feedbacks, a doubling of the CO₂ concentration would cause the planet's temperature to rise by about 1°C. The water vapor feedback for its part causes the CO₂ warming to roughly double. When other feedbacks are included (e.g. albedo reduction due to melting ice) the overall warming from a doubling of CO₂ is around 3°C (Held 2000). The amplifying effect of water vapor has been observed in the form of global cooling following the eruption of Mount Pinatubo (Soden 2001). The cooling caused the atmosphere to become drier, which in turn amplified the decrease in temperature. The cited climatic response of about 3°C is also confirmed by numerous experimental studies that have examined how the climate has responded to various forcings that

occurred in the past (Knutti & Hegerl 2008). Satellites have detected an increase in atmospheric water vapor of about 0.41 kg/m² per decade since 1988. An evidence and attribution known as a “fingerprint”, which has been used to identify the cause of the increase in water vapor levels in atmosphere (Santer 2007). Fingerprint because it presupposes the adoption of rigorous statistical tests to search for possible explanations of the change in certain properties of the climate system. The results of 22 different climate models (virtually the world’s largest climate models) were combined and found that the recent increase in water vapor over the entire oceanic environment of the planet is not due to solar forcing or a gradual recovery following the eruption by M. Pinatubo in 1991. The primary cause of the “humidification of the atmosphere” has been identified with the increase in CO₂ produced by fossil fuels. Both theory and experimental observations and climate models taken together show that the increase in water vapor is around 6-7.5% per degree Celsius of warming in the lower atmosphere. The observed changes in temperature, humidity and atmospheric circulation combine in a physically coherent way. When skeptics cite water vapor as the prevalent greenhouse gas, they are actually referring to the same positive feedback that makes Earth’s climate so sensitive to CO₂ as well, thereby confirming the evidence that the warming is man-made. global.

The above article, although not updated with current data, demonstrates that water vapor and the amount of CO₂ in the atmosphere influence each other and their increase in the atmosphere is caused by man-made terrestrial plants. If we consider that the percentage of CO₂ in the atmosphere before the industrial era was 278 ppm and today it is 420 ppm, we can deduce that the volume of vapor both in the atmosphere has increased in even greater proportions, because, in addition to fixed and mobile thermal plants, there are also nuclear power plants, which do not emit CO₂, but huge quantities of steam.

Unfortunately storms and water bombs produce them, above all the excess of steam, which having a density about 60 times higher than air, with the same flow rate of the climatic events that trigger the initial processes (difference in temperature and pressure between air currents), is the amount of vapor present in the atmosphere that produces a much higher amount of kinetic energy which discharges in a few minutes quantities of water that could be discharged in much longer times.

These phenomena cannot be fought by allocating billions of dollars or euros to repair the damage, but above all by changing the way of designing the plants of the future scientifically and technologically. The solutions that will have to be implemented must be the best ever, starting from primary energy sources, which must be renewable and which must have the best yields in all respects. Among these sources, very strangely, in 2023, the ideal energy source has not yet been included in all aspects of efficiency and economy, which is compressed hydroelectromagnetism, which could also take us into space without producing a single gram of polluting substances or even steam, producing cold the electricity needed.

Therefore, I am forced to publish also in this article the nursery rhyme of spawhe.eu which summarizes the long purification and energy process that would allow zero emissions of CO₂ and steam, apart from natural evaporations at the earth's temperature.

"The cleaning of fossil energy published in <https://www.spawhe.eu>, to be efficient, should be based, above all on inorganic chemistry that is able to absorb CO₂, producing carbonates in the water, so that they counteract the acidification of the oceans and global warming. To speed up the processes and reduce the energy costs that would have involved the circulation of very large quantities of water necessary to neutralize the very large quantities of CO₂ emitted by the

current thermal power plants and heat engines, it has gradually been transformed technologically into solutions of less space by exploiting the principles Pascal and Henry. In fact, I realized that on planet Earth, all the activities that nature produces through organic and inorganic chemistry, photosynthesis and the carbon cycle can be increased in speed without any need to use thermal, nuclear energy and current renewables. It is sufficient only to increase the operating pressures of the systems, modify the circulation pumps and make the machines work differently. In fact, natural interactive systems expel, with the times required by nature, the elements extraneous to natural cycles, due to accidental polluting phenomena, including direct and indirect thermal effects due to volcanic explosions, to natural fires that have always existed on the planet. The current industrial activities of men have multiplied exponentially the elements extraneous to natural cycles, therefore nature is no longer able to restore interactive balances. Obviously, this is my truth and in the entire website, I explain how, in my opinion, we should have created global plants that purify both fumes and water at the same time before they go to pollute the soils, rivers, lakes and seas. Having not done this in any country in the world, it has not been possible to advance the state of the art of purification to make it known to other countries. Therefore, the advancement of the state of the global purification art has not occurred. Consequently, it was not even possible to notice that the water circulation pumps, if we make them work in the direction of gravitational force, by placing them in series with the turbines, we could extract the energy directly from the environment. Having not done this, it was not possible to realize that the water circulation pumps, if in addition to making them pump in the direction of gravitational force, we modify them on the suction side and make them another inlet clearly separated from the main one up to the same impeller, we can always use the same water to create energy because we use one feed to recycle the water from the upper basin and the other feed to

introduce into the same impeller the water discharged from a turbine fed by falling water from the same upper basin. Not having done this, it was not possible to think that by replacing the upper basin with a pressurized autoclave with compressed air, it being understood that we use a turbine connected to the outlet of the autoclave, we can recover the water drained from the turbine and insert it back into the autoclave, whose pressurized water is recycled with the same impeller of the pump by means of the second supply. In this way, with the same water and the same compressed air, we would have produced a current generator that extracts energy from the environment, with quite small dimensions. Having not done this, it was not possible to further reduce the dimensions of this current generator by increasing the operating pressure of the autoclave in order to be able to mount it on cars and trucks, on agricultural tractors. Not having done this, it was not possible to think that the overall dimensions can still be reduced by using submersible pumps as turbines mounted directly in cylindrical tubes that would act as autoclaves. Therefore, these groups could be used to be inserted directly into the wells to raise the water and at the same time oxygenate the aquifers which today are polluted by agricultural fertilizers, herbicides and pesticides and fecal coliforms. In fact, we know that part of the air that pressurizes the autoclave dissolves in the water according to Henry's principle, purifying the water for free. Not having done this, it was not possible to think that the overall dimensions could be reduced even further. Even miniaturized and instead of purifying the water from the wells we could purify the human blood, placing two small autoclaves side by side that would replace the right and left ventricles, creating energetically autonomous artificial hearts that would feed the systemic circuit that oxygenates the brain and the lungs to lengthen the life of the 'man. Having not done this, it was not possible to think that pressurized cylindrical autoclaves can be incorporated an external cylinders containing water at atmospheric pressure, outside of which

sliding tracks of permanent magnets mounted on transmission chains driven by motors can be made electric at variable revolutions that would produce an electromagnetic flux of variable intensity which would produce induced currents in a solenoid outside the same water tank. Therefore, we could produce in this tank a linear electromagnetic thrust force according to Lorentz's law at the ambient temperature, without fuel that could be added to the reaction thrust of Newton that would be produced by propellers driven by electric motors always commanded by generators. of current that produce the primary hydroelectric energy, fed by submersible pumps used as turbines placed inside the central reservoirs. Not having done this, it was not possible to replace the current thermal turbofans of aircraft to travel in the atmosphere and in space with energy extracted directly from the environment, it was not possible to create flying cars, nor submarines that move with the same system without fuel. It was not possible to make the ships travel without fuel, nor to mount the same system to make mobile barriers in the sea to defend ourselves from high waters. It was not even possible to think that in the space travel of the future we can add to the global linear motors an external steel tunnel connected to the turbo fan, where it will produce a higher vacuum higher than the surrounding space vacuum and connect this tunnel with a small vacuum pump to a thickening tank of the captured powders, which will be emptied periodically letting in the atmospheric air which will feed an electrostatic filter that will recover the powders that will be used together with the other interactive purification and energy plant inventions described on the website <https://www.spawhe.eu> to make humans survive even in space without suffering physiological damage due to the absence of atmospheric pressure, gravity, food resources and raw materials to build spare parts for the machines necessary for survival in space. In fact, atmospheric air and water will fill the space caravan wagons full of human beings and will be endlessly recycled, suitably replenished with artificial photosynthesis and carbon cycle, while general

gravity will be reinforced, becoming very similar. to the terrestrial one, electrostatically polarizing the paths of atmospheric conditioned air and recycled water in the interactive, energy and purification, compressed hydroelectromagnetic plants, still unknown to terrestrial science. Current science has forgotten that the primary fluid dynamic energy is produced by the flow rate for the pressure and density of the fluid itself. Therefore, the best solution to produce clean energy at low cost and in infinite quantities is: to use compressed air as an energy source (which is not consumed) and water as an energy carrier (which with the use of new pumps with separate double power supply up to the impeller, can recycle it indefinitely by exploiting the maximum pressure of the compressed air and the maximum density of the water at the same time. In the simple formula of fluid dynamic energy mentioned above, no heat source is needed. This is the biggest mistake in world science and nobody wants to correct it.”

However, despite the silences collected by public science and that of multinationals, today that we are in May 2023, compressed hydroelectric energy has grown further, transforming itself into compressed hydroelectromagnetic energy and could even take us into space without fuels and nuclear energy. It is no coincidence that this energy is the one that costs less than all the other energies existing on the planet; it is no coincidence that it is the only energy that is not consumed; it is no coincidence that it is the only energy that can add together the thrust of Newton and Lorentz to overcome the obstacle of the gravitational force; it is no coincidence that these two thrusts cannot be added to the other energies for many simple and elementary reasons, such as the dimensions, the masses involved, the auxiliary systems involved to purify and cool the energy produced. In fact, it is essential to produce primary energy cold because the electric and electronic circuits cannot bear temperatures higher than those on earth. On the other hand, the human body

cannot tolerate higher temperatures either.

This ruling class, which supports each other all over the world regardless of political colors, does not realize that the dams and reservoirs in the mountains for the purpose of producing trivial electricity with hydraulic jumps have produced more disasters than benefits. Probably, if compressed hydro-electromagnetism, which is still unknown to terrestrial science, had been understood in time, neither the first and second world wars nor the colonial wars would have broken out to get to the conquest of the wrong energy sources, which produced the global warming. Probably, we would not have had the atomic bomb exploded on Hiroshima, the Chernobyl disaster and the Fukushima disaster.

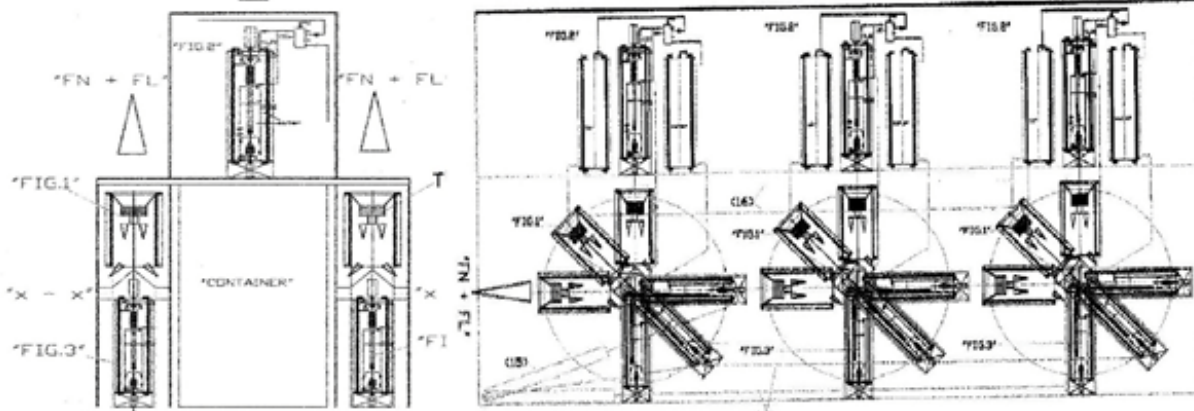
Why do governments, science and corporations prefer the current reality of global warming? Why don't the trade unions, trade associations, environmental associations, land reclamation and protection consortia show any curiosity to verify these solutions? Are they still waiting for manna from heaven today? If public and private science had wanted to produce low-cost fluid-dynamic energy to produce clean electricity for a long time, it could have used the compressed air pressure and water as an energy vector statically in one direction because the force that produces the primary energy in a turbine is given by the flow rate of the fluid for the passage section for the density of the energy carrier. The temperature of the energy carrier does not serve to produce electricity but only to increase energy costs, purification costs and consequently also the masses and systems themselves which cannot be able to infinitely recycle the energy source and the energy carrier as it is possible with atmospheric air and water. We can't wait for aliens from another planet to explain these things to us. Certainly, if they arrive from another planet similar to the Earth they will use the same system, otherwise, like us, at present, they would never have been able to add together the thrust of Newton and Lorentz to

get out of their planet and navigate in space with a primary energy which it is consumed and can also be breathed by aliens as well as humans. These cannot be very different from us if their planet has developed the same biological life as the Earth.

The figures shown below seem like science fiction, but they could be achieved in a very few years, with small modifications to existing technologies, if we immediately abolished the thermal energies that produce steam and CO₂ which are not compatible with the earth's environment. Is it possible that science has not understood this? I don't think so, because science has understood much more complicated things than myself. To have small personal advantages, she simply sided with the powerful and the multinationals that created global warming and the unequal distribution of world wealth.

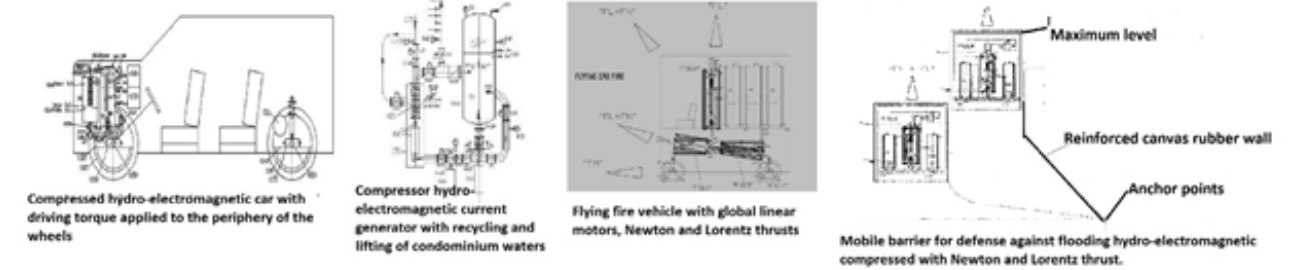
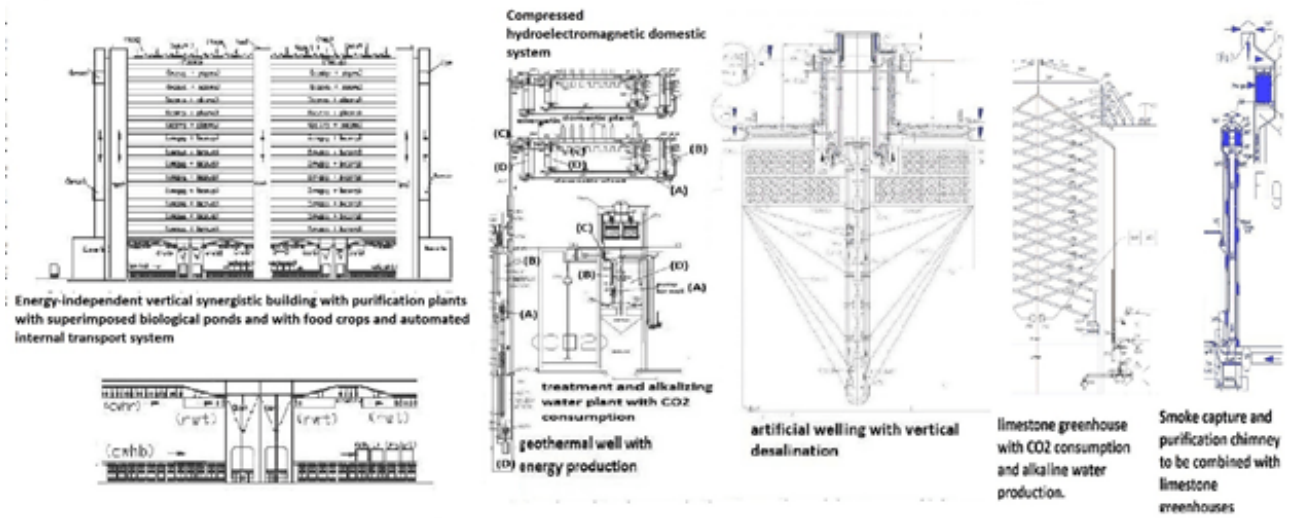
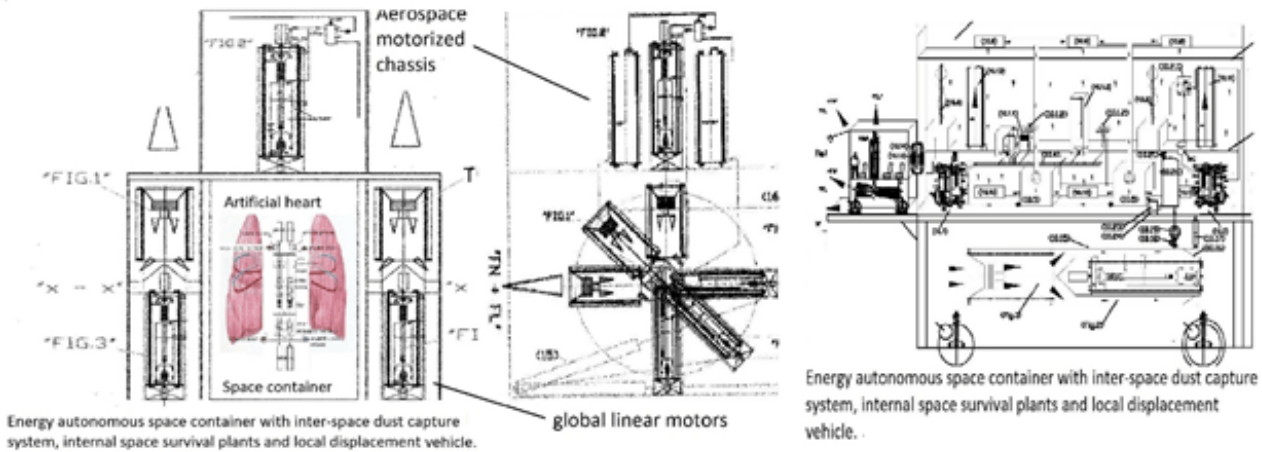
<http://www.spawhe.eu> AEROSPACE AND SUBMARINE TRANSPORT SYSTEM WITH INTERACTIVE PRIMARY AND INDUCTIVE LINEAR MOTORS

The aeronautical and spatial evolution can not happen with the fuel rockets and aerodynamics, but with the interactive linear motors and the thrusts of Newton and Lorentz associated.



We have developed good technologies but wrong the fundamental principles of energy and purification, which to be efficient and sustainable must be interactive, as they are in natural systems. But interactivity in anthropic fossil energy systems cannot take place due to the absence of the spaces and ingredients necessary to close the cycles that open. In nuclear plants it is even worse for the same reasons, also producing radioactive waste. The current renewables are bulky, discontinuous and have very low yields. Powerful and sustainable energy, which derives directly from the thickening of the atmospheric air produced by gravitational force, has never been produced. This would exploit the Pascal principle that expands the pressure in all directions for free, that of Torricelli that produces free kinetic energy at the outlet of the water pressurized by the air, that of Venturi that allows you to enter free water in low pressure in a throttling of a pressurized circuit or in the center of an impeller of a recycling pump, if a separate additional supply is created, due to the effect of the depression which creates an increase in the speed of the water in the constriction or in the center of the impeller of a pump recycling. For the principle of impenetrability of the bodies, the same amount of water that enters the circuit in excess is expelled free of charge from the system's overflow, and can supply a hydraulic turbine by always recycling the same amount of water. This simple system that has never been used in current hydroelectric plants. The undersigned used it but only virtually, not having been believed by science and world entrepreneurs. The same system has used it, always virtually in pressurized circuits with an autoclave, increasing operating pressures, reducing the overall dimensions to mount it also on means of transport, including planes and space ships. In the latest inventions, the dimensions have been reduced to allow them to enter man's wells and chest, to purify aquifers and human blood for free. In fact, by Henry's principle, water or blood acquires a greater quantity of oxygen every time they pass through the autoclave. The reduced shape, by incorporating the pressurized tank into the atmospheric pressure tank, allows to make external sliding tracks of permanent magnets and a solenoid that produces the induced currents that allows the development of linear motors even in air and space transport means outside the tank, as described in two different patent filings, which deal in a different way with the way to add Lorentz's thrust to Newton's. Therefore, compressed hydroelectric energy connects directly with electromagnetism which has made enormous technological progress and reduced the dimensions and weights of traditional electrical engineering. The two systems together create the "interactive global linear motors" that extract primary energy from nature with energy yields hundreds of times higher than thermal energy. In fact, the energy absorbed by the circulation pumps does not change by increasing the operating pressure because they work with the balanced pressures in suction and delivery, however, the primary energy produced by the current generators will multiply by the operating pressure that we will be able to support with future technological advancement. Unfortunately, the undersigned, having never seen any of his interactive inventions financed, no longer believes in world public and private institutions that deal with the environment and energy. In the latest patent publication, he proposed readers to create an S.P.A. with the name SPAWHE, referring to the website // www.SPAWHE.eu, which reports most of the undersigned's environmental and energy inventions. But the real problem is who should finance this S.P.A.? In fact, environmental and energy interactivity has not entered any world university. Yet it is not difficult to understand that electromagnetism, if not supported by powerful, clean, sustainable and space-saving primary energy, cannot exceed the current state of the art.

Luigi Antonio Pezone.



FROM FOSSIL ENERGY CLEANING TO SPACE EXPLORATION WITHOUT FUEL AND NUCLEAR ENERGY WITH [HTTPS://WWW.SPAWHE.eu](https://www.spawhe.eu) by Luigi Antonio Pezone

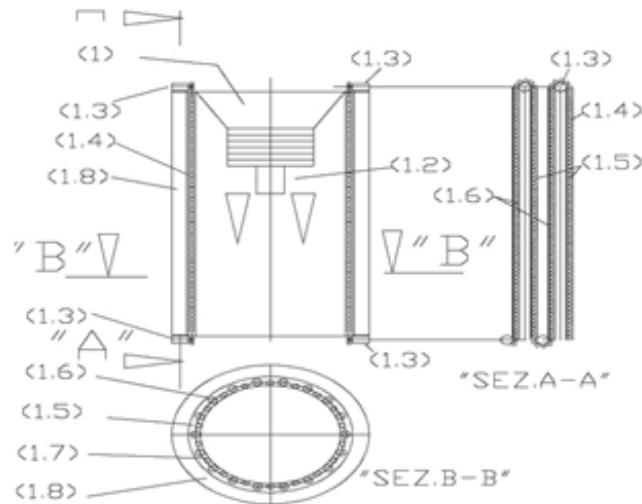


Fig. 1, Modified electric turbofan with Newton and Lorentz thrust:

(1) Electric turbofan; (1.2) variable speed motor controlled by inverter; 1.3 inverter controlled variable speed motor for magnet movement; (1.4) transmission chain complete with permanent magnets; (1.5) open sliding track for chain with permanent magnets; (1.6) closed and magnetically insulated sliding track for chain with permanent magnets; (1.7) air gap; (1.8) solenoid external to the turbofan in a metal housing;

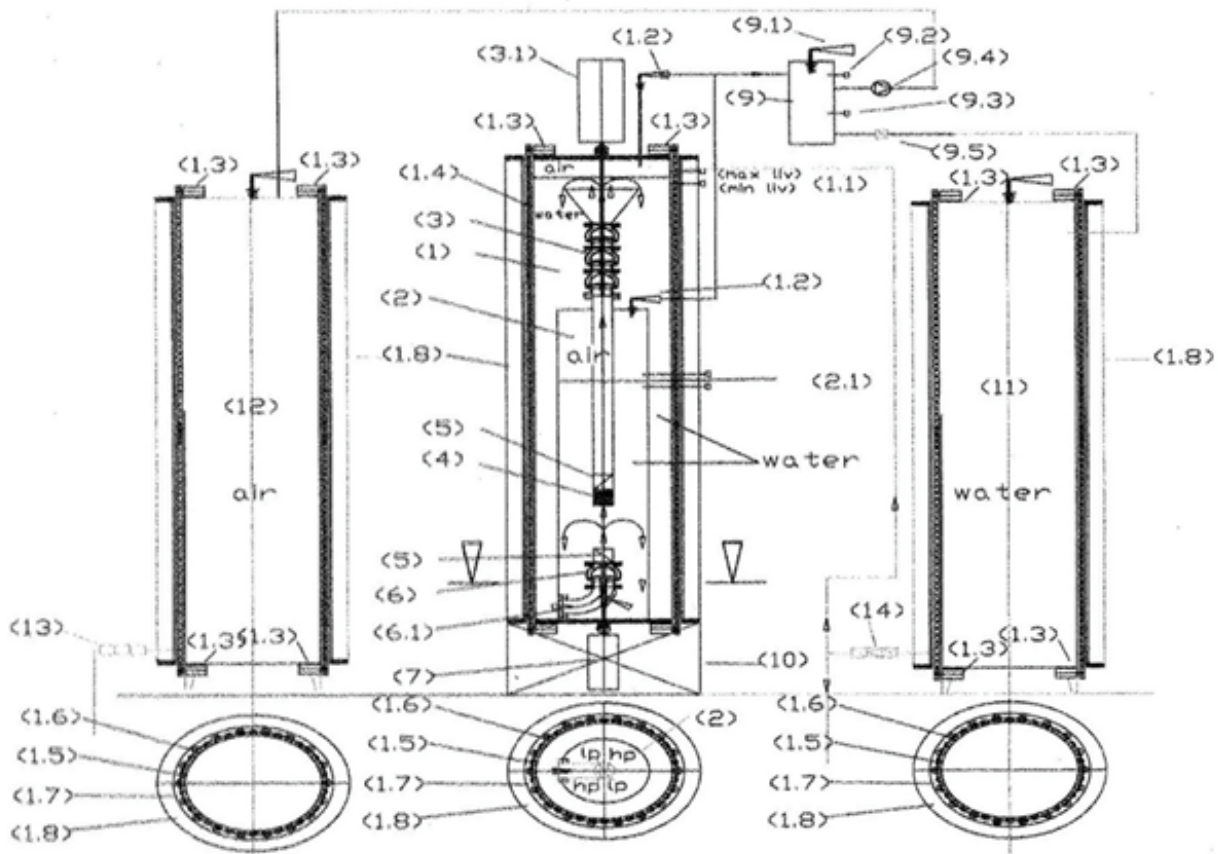


Fig. 2. Plant for the production of compressed hydroelectric primary energy with Lorentz electromagnetic thrust, complete with air and vapor recovery scheme and modified water and compressed air tanks for the production of electromagnetic thrust:

(1) external water tank at atmospheric pressure; (1.1) level regulator with capacitive probes; (1.2) safety valve with conveyed air discharge; (1.3) variable speed motor with gear wheel for transmission chain; (1.4) transmission chain of permanent magnet transport; (1.5) open sliding track for chain with permanent magnets; (1.6) closed and magnetically insulated sliding track for chain with permanent magnets; (1.7) air gap; (1.8) solenoid external to the external water tank in a metal housing; (2) high pressure tank; (2.1) level regulator with capacitive probes; (2.2) safety valve with conveyed air discharge; (3) pump used as a turbine; (3.1) alternating current generator; (3.2) pump motor coupling joint; (4) suction filter and anti-air bubbles; (5) check valve; (6) pump with double separate power supply up to the impeller; (6.1) double curve with crossed separator partitions in low pressure (lp) and high pressure (hp); (7) variable speed motor controlled by inverter; (8) pump motor coupling joint; (9) air and steam recovery tank; (9.1) safety valve; (9.2) pressure switch; (9.3) water level probe; (9.4) mini electric compressor; (9.5) water drain solenoid valve; (10) system support frame. (11) modified water tank with production of electromagnetic thrust; (12) modified compressed air tank with electromagnetic thrust production, (13) shut-off and pressure adjustment group for compressed air; (14) shut-off unit with primary tank feed pump (1).

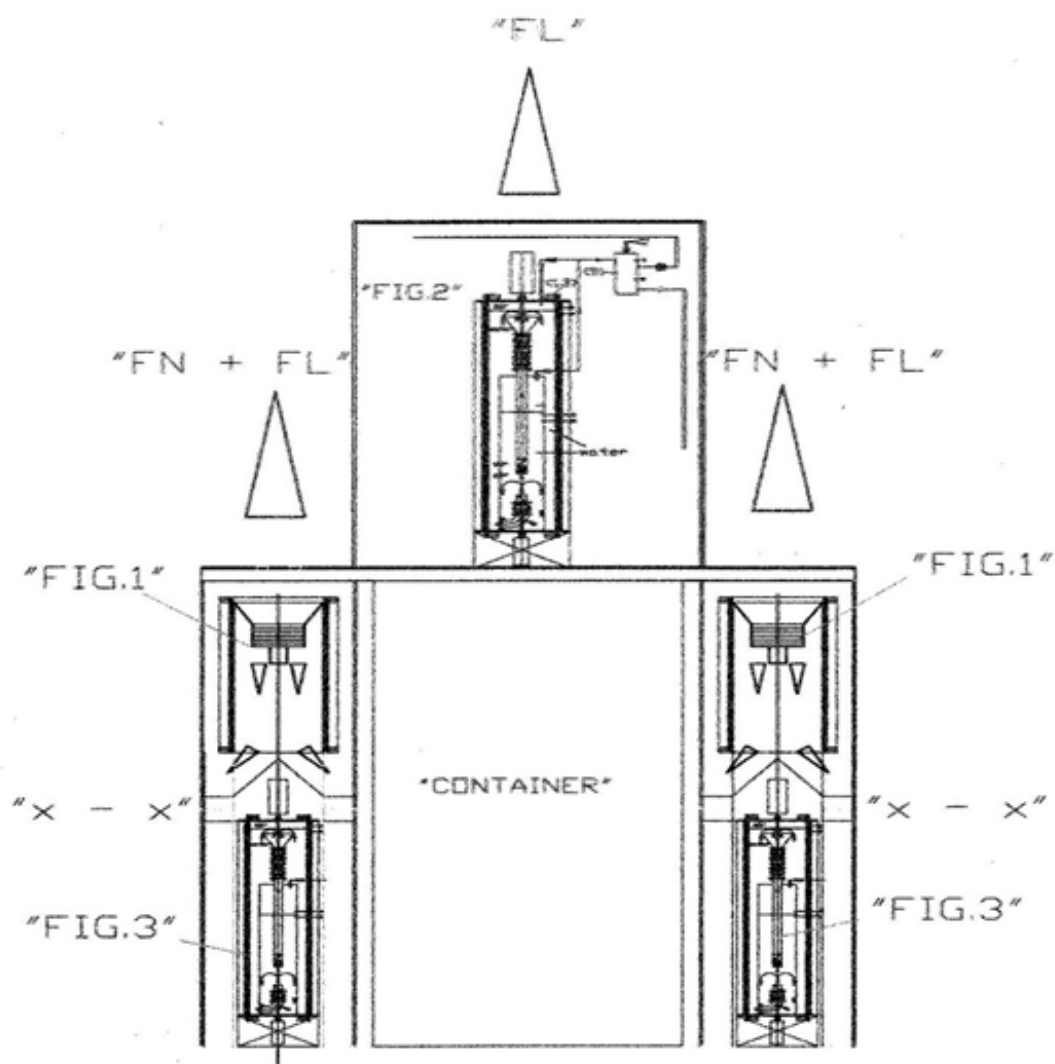
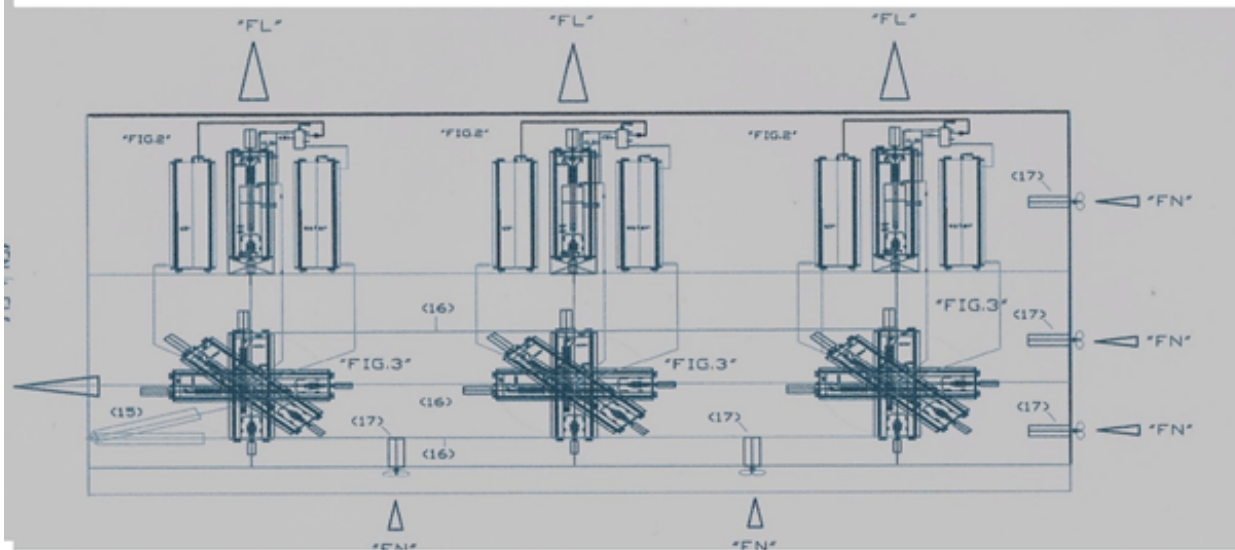


Fig. 4: Cross section of a generic land and space transport vehicle: This diagram shows the figures concerning the components used to make the Lorentz thrust (FL), the Newton thrust (FN) and the position of the containers interchangeable inside the transport frame (T) and the rotation axis of the primary and induced global linear motor (X - X)

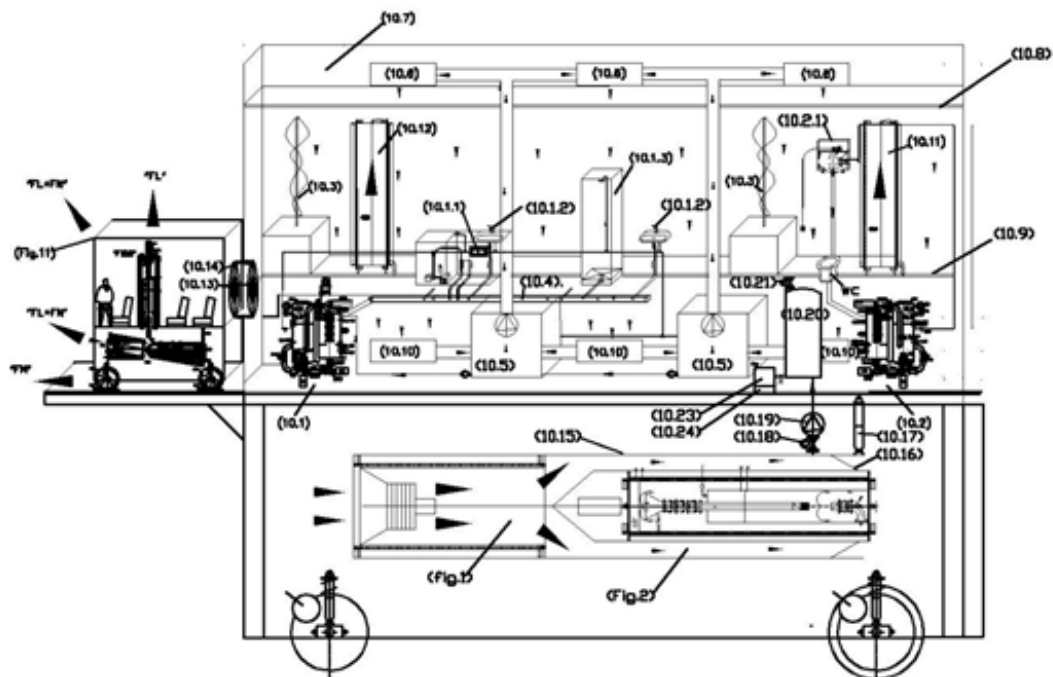
<http://www.spawhe.eu> AEROSPACE AND SUBMARINE TRANSPORT SYSTEM WITH INTERACTIVE PRIMARY AND INDUCTIVE LINEAR MOTORS



Figures 7 show the longitudinal section of a generic submarine transport vehicle, which is very similar to the aerospace system, in that it transports watertight containers to the ocean floor. The difference consists in the fact that also the external frame (T) which contains the lateral primary linear motors can be hermetically closed. Just keep the Newton and Lorentz thrusts separate, making the first with external propellers connected to the electric motors (17) located inside the frame. The submarines will not need to empty and fill the sealed chambers with water to adjust the depth of navigation because the weight will be balanced by the force of Lorentz and Newton according to the formula already mentioned $P = m * (a - aL - aN)$, where "AL" is the acceleration artificially produced with the Lorentz force and "aN" that produced by the reaction force of Newton. The submarines of the future will be much faster, cheaper and safer than the current submarines and will be able to descend to greater depths than the current ones. The legend is not reported being it is already reported in figures 2 and others used, to which the electric turbo fans which have been replaced by normal marine propellers (17) has not been reported. The electromagnetic thrust is produced entirely with the solenoids external to the fluid dynamic systems that also produce primary energy.

;

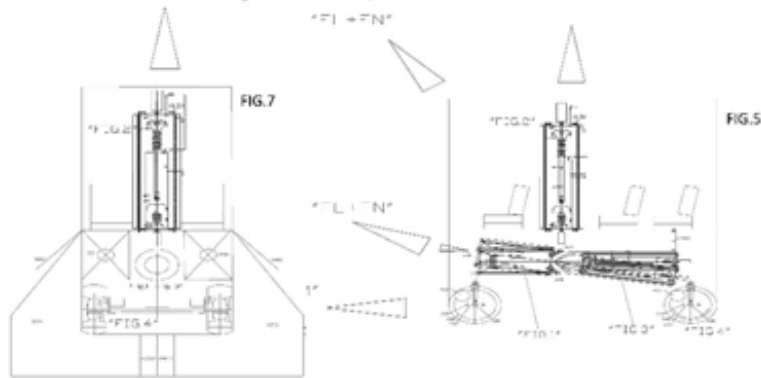
SPACE CONTAINERS WITH GLOBAL LINEAR MOTORS, INTERSTELLAR DUST CAPTURE SYSTEM AND INTERNAL SURVIVAL SYSTEMS. [https: www.spawhe.eu](https://www.spawhe.eu)



"FIG.10"

(10.1) domestic water purification plant; (10.1.1) ultraviolet disinfection system; (10.1.2) drinking water withdrawal point; (10.1.3) shower; (10.2) toilet waste water treatment plant; (10.2.1) toilet drain pan; (10.3) hydroponic cultivation; (10.4) waste water collection channel; (10.5) purification, humidification and air recycling system; (10.6) electrostatically polarized air inlet vents into the environment; (10.7) ceiling air distribution plenum; (10.8) regenerable filter ceiling in steel straw; (10.9) gridded floor with air passage; (10.10) electrostatically polarized air intake vents; (10.11) water reserve tank with external solenoid and vertical circulation of permanent magnets to produce Lorentz thrust; (10.12) compressed air reserve tank with external solenoid and vertical circulation of permanent magnets to produce Lorentz thrust; (10.13) Airtight passage porthole; (10.14) electromagnetic flexible metal bellows with external vacuum-tight gasket; (10.15) external connection steel tunnel between the electric turbofan fig1 and the compressed hydroelectric primary energy production plant of fig.2; (10.16) truncated conical sector closure of the interstellar dust collection tunnel by means of a steel rope which runs in rings external to the closing cone; (10.17) electric actuator for activating dust collection closure; (10.18) shut-off solenoid valve; (10.19) electric vacuum pump; (10.20) high vacuum dust collection tank; (10.21) air inlet solenoid valve at atmospheric pressure; (10.22) solenoid valve for interstellar dust output; (10.23) electrostatic filter; (10.24) removable container for interstellar dust; (Fig. 11) interstellar local displacement vehicle.

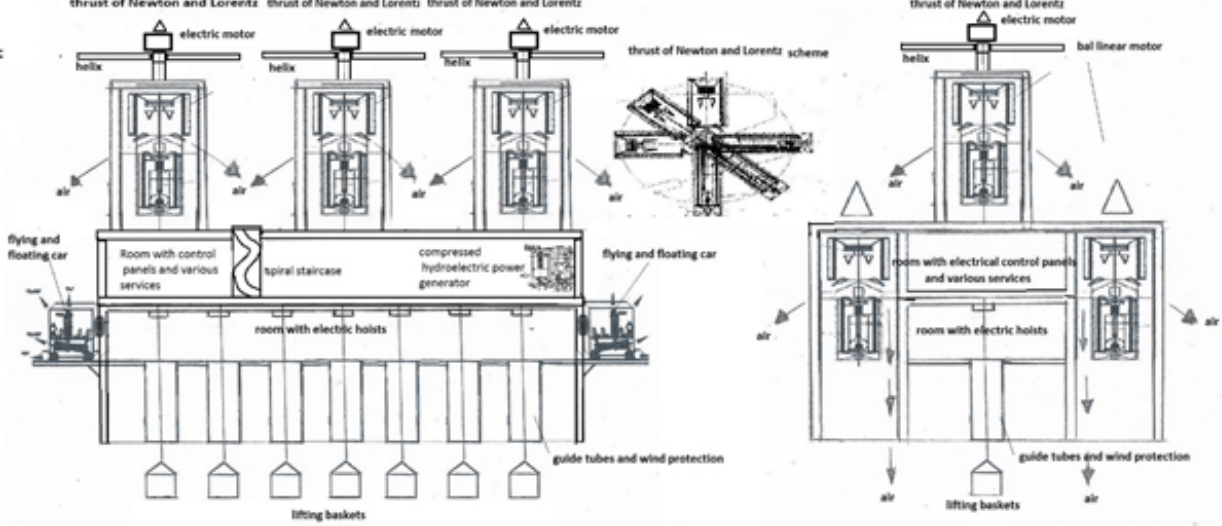
The car's evolution can not happen with the internal combustion engines and batteries, but with interactive linear motors and the thrusts of Newton and Lorentz associated.



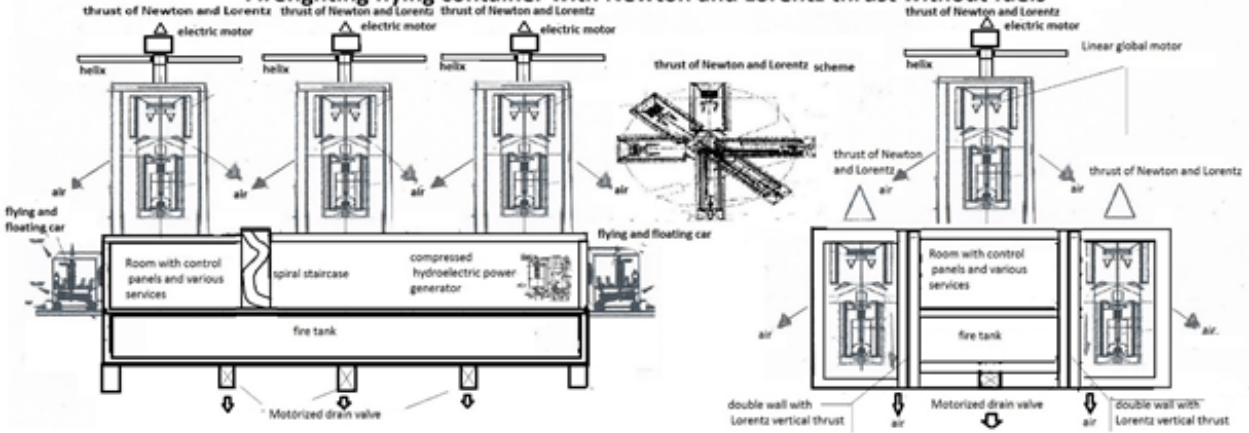
We have developed good technologies but wrong the fundamental principles of energy and purification, which to be efficient and sustainable must be interactive, as they are in natural systems. But interactivity in anthropic fossil energy systems cannot take place due to the absence of the spaces and ingredients necessary to close the cycles that open. In nuclear plants it is even worse for the same reasons, also producing radioactive waste. The current renewables are bulky, discontinuous and have very low yields. Powerful and sustainable energy, which derives directly from the thickening of the atmospheric air produced by gravitational force, has never been produced. This would exploit the Pascal principle that expands the pressure in all directions for free, that of Torricelli that produces free kinetic energy at the outlet of the water pressurized by the air, that of Venturi that allows you to enter free water in low pressure in a throttling of a pressurized circuit or in the center of an impeller of a recycling pump, if a separate additional supply is created, due to the effect of the depression which creates an increase in the speed of the water in the constriction or in the center of the impeller of a pump recycling. For the principle of impenetrability of the bodies, the same amount of water that enters the circuit in excess is expelled free of charge from the system's overflow, and can supply a hydraulic turbine by always recycling the same amount of water. This simple system that has never been used in current hydroelectric plants. The undersigned used it but only virtually, not having been believed by science and world entrepreneurs. The same system has used it, always virtually in pressurized circuits with an autoclave, increasing operating pressures, reducing the overall dimensions to mount it also on means of transport, including planes and space ships. In the latest inventions, the dimensions have been reduced to allow them to enter man's wells and chest, to purify aquifers and human blood for free. In fact, by Henry's principle, water or blood acquires a greater quantity of oxygen every time they pass through the autoclave. The reduced shape, by incorporating the pressurized tank into the atmospheric pressure tank, allows to make external sliding tracks of permanent magnets and a solenoid that produces the induced currents that allows the development of linear motors even in air and space transport means outside the tank, as described in two different patent filings, which deal in a different way with the way to add Lorentz's thrust to Newton's. Therefore, compressed hydroelectric energy connects directly with electromagnetism which has made enormous technological progress and reduced the dimensions and weights of traditional electrical engineering. The two systems together create the "interactive global linear motors" that extract primary energy from nature with energy yields hundreds of times higher than thermal energy. In fact, the energy absorbed by the circulation pumps does not change by increasing the operating pressure because they work with the balanced pressures in suction and delivery, however, the primary energy produced by the current generators will multiply by the operating pressure that we will be able to support with future technological advancement. Unfortunately, the undersigned, having never seen any of his interactive inventions financed, no longer believes in world public and private institutions that deal with the environment and energy. In the latest patent publication, he proposed readers to create an S.P.A. with the name SPAWHE, referring to the website // www.SPAWHE.eu, which reports most of the undersigned's environmental and energy inventions. But the real problem is who should finance this S.P.A.? In fact, environmental and energy interactivity has not entered any world university. Yet it is not difficult to understand that electromagnetism, if not supported by powerful, clean, sustainable and space-saving primary energy, cannot exceed the current state of the art.

Luigi Antonio Pezone.

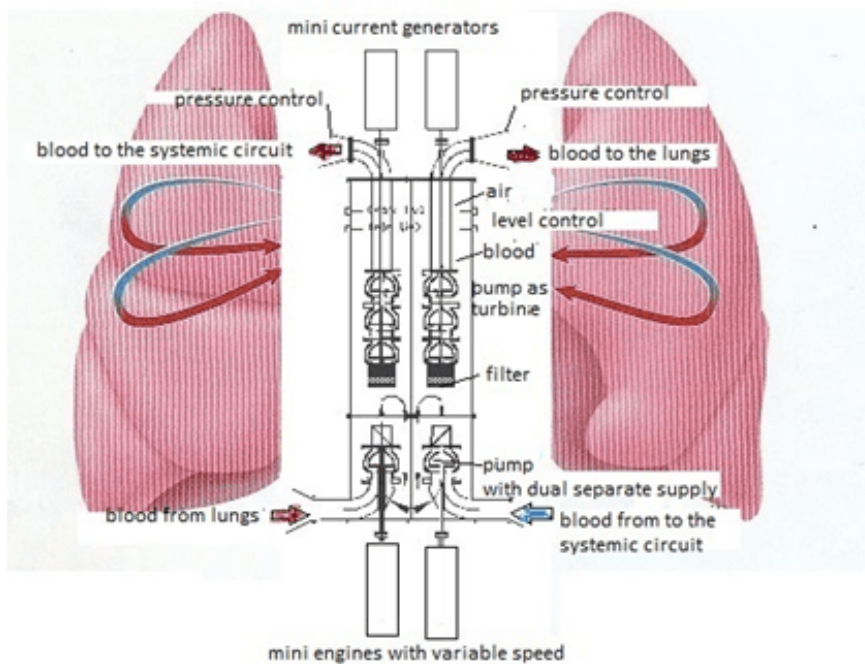
FLYING container for the rescue of migrants with Newton and Lorentz thrust without fuel



Firefighting flying container with Newton and Lorentz thrust without fuels



ARTIFICIAL HEART OXYGENATOR OF BLOOD, ENERGETICALLY AUTONOMOUS.



The artificial heart of man, proposed in this patent deposit, closes the circle of sustainable energy based on the only physical principle possible in every remote corner of the Earth: the bypass of the force of gravity and of the elastic pressure of the air that it can be realized everywhere, even in the man's chest, using pumps with the double supply separated until to the impeller, which science, industrialists and world legislators pretend to ignore in order not to admit that they have wronged the entire industrial and economic development. Everything would have been simpler, cleaner and cheaper if this invention had taken place a hundred years earlier, as it could have been. The artificial human heart is the miniaturized version of the autoclave system, already reduced, to make it enter the wells' shirts, to purify the water producing energy. Entering the chest of the man to purify the blood producing the energy needed by the brain is not much different from expected for the wells. They serve two mini parallel autoclave systems that replace the right and left atria ventricles. The two pumps that feed them, with the double supply separated until to the impeller, allowing the balance of the hydrostatic thrust in suction and delivery, allow to get the blood coming from the systemic circulation in the mini autoclave on the right and the one coming from the lungs in that left, bypassing the compressed air pressure. This system works autonomously because the mini autoclave ejects at the same instant the quantity of blood equal to the one that enters, due to the principle of impenetrability of the bodies, through a mini pump used as a turbine connected to a direct current generator. The energy spent by the pump motor is about a tenth of the energy produced by the generator. This allows us to have enough energy available to produce the amount of compressed air necessary to the autoclave and the management of an electronic control unit that with a three-word voice command: "rest, normal, fast" manages the flow and the blood pressure according to the physical activity that it carries out. Although it is the air pressure that circulates the blood in the pump used as a turbine, since the circulation is one-way, apart from air solubilized in the blood with purifying effects, there is no other consumption of compressed air because it is exploited statically and not even electricity to produce it. Although it is the air pressure that circulates the blood in the pump used as a turbine, since the circulation is one-way, apart from the solubilized air in the blood with purifying effects, there is no other consumption of compressed air and electric energy. As published on <http://www.spawhe.eu>, this solution was found by myself after many years spent trying to improve the purification systems of water and air and many patents filed in vain. However, the study served to ascertain that world science has identified single and incomplete scientific principles, which used singly have polluted and warmed the planet. Only with the invention of the pumps with the double power supply separated to the impeller, the undersigned has found the key of the problem. In fact, through it, the dynamic fluid used cold between water and air, especially compressed, would have produced energy protecting the environment, consuming only moderate wear of materials, with low operating temperatures, and air pressures used statically, which would circulate the incompressible liquid. This is the true principle of terrestrial energy that, unfortunately, has not been legislated by world science, which still ignores it, hoping that in addition to myself, no one notices it. Too late. They would have to admit their mistakes, before this energy, despite their silences, also entered the human heart, were, not only it can extend the life of man for many years. But when the other organs are too old, the brain system and the artificial heart. It may also be transferred into an artificial body, which we now call robots, but governed by the human brain and the accumulated knowledge throughout life that will continue to grow even after the death of the body. Reality can overcome fantasy because in no science fiction film this form of human survival has been hypothesized. If the human soul exists it is contained in the brain and its knowledge. It will not be humiliating for anyone to survive thanks to an artificial heart, cybernetic, and some syrup specially designed by nutritionists to be solubilized in small autoclaves that will replace the ventricular atria. When we are ready to do this. We will also be ready to conquer the infinite space. Not before. With our very short current life, we cannot go very far. (<http://www.spawhe.eu/artificial-heart-oxygenator-of-blood-energetically-autonomous/>).

In the article "Spawhe's nursery rhyme and the website map", there is the complete list of the articles and the main inventions of the undersigned published in Italian and in English

<https://www.spawhe.eu/la-filastrocca-di-spawhe-e-la-mappa-del-sito-web/>. I conclude this article as I concluded the previous article

<https://www.spawhe.eu/flying-containers-for-rescuing-migrants-and-extinguishing-fires-without-using-fuel/>.

Paradoxically, today that the scientific and technological state of the art has grown, the job of inventors should be easier. Instead, for those not linked to economic and political centers of power, it has become very complicated due to conflicts of interest between public inventors, multinationals, governments and legislators. Only in this way can we explain the reasons why the simple and linear inventions on the cleaning of fossil energy and subsequently those of hydroelectricity without the hydraulic jump and still later, compressed hydroelectricity and still after compressed hydroelectromagnetism which can allow Newton's thrust to be added together to revolutionize aeronautical and space transport as well. Only in this way can we explain the reasons why intellectual copyrights are not recognized only to inventors, which are also recognized to those who write a fairy tale, a song or a musical score. Only inventors are asked to pay maintenance fees on granted patents even if they do not find public and private lenders or even those who buy the patents. Only inventors are asked to pay to legally oppose patents that have not been granted, as if the mere patent filing did not constitute an official document of the intellectual invention having taken place. Which side are the United Nations that manages the WIPO (world intellectual property organization) on? This famous world organization has not noticed that the sectors in which I have worked as an inventor have slept for two hundred years without anyone inventing anything to first unify the water and air

purification cycles and then the energy ones. In fact, neither unified purification cycles nor interactive energy cycles exist yet. For the world's public and private ruling class, global warming is as if it didn't exist. They continue to send billionaire rockets into space without bothering to add together the thrust of Newton and Lorentz or even to create human habitat in space wagons at atmospheric pressure with the recycling of water and atmospheric air. Isn't it strange that in my solutions, water and atmospheric air are also the only indispensable elements for realizing sustainable energy processes that will take us into space without fuels and nuclear energy? When will the world's billionaires who finance these operations realize that the real science to go into space must start from the artificially created chlorophyll photosynthesis in space wagons? If they really have business sense let them use their money better. Only finance ARTIFICIAL INTELLIGENCE, ARTIFICIAL HEART OXYGENATOR OF BLOOD ENERGETYCALLY AUTONOMOUS and sustainable inventions WITHOUT FUEL AND NUCLEAR ENERGY.

Luigi Antonio Pezone