

Open letter to Sir Leonard Valentinovich Blavatnik, for information to Mr Bill Gates and Mr Elon Musk regarding environment and energy.

Premise

Since this is an open letter, I believe a premise is necessary, out of respect due to the people unwittingly involved.

On December 23rd I received the following short letter:

Good day, My names are Leonard Valentinovich, You are among the selected people to receive DONATION from my company (Access Industries), if you are in interested in receiving financial donation, kindly write back to me for more details.

You can also read more about me via the link below

https://en.m.wikipedia.org/wiki/Len_Blavatnik

Warm Regards

President(Access Industries)

Sir Leonard Valentinovich Blavatnik

The reason why I am also involve Mr Bill Gates for information can only be understood by reading a previous open letter of mine published on 10.06.2016: <http://www.spawhe.eu/open-letter-to-mr-bill-gates-on-energy-miracle/>.

The reason why I also involve Mr Elon Musk for information can only be understood by reading a previous open letter of mine

published on 01.02. 2021:

Open letter to Mr. Elon Musk who promised 100 million dollars to those who manage to capture CO2 from the atmosphere.

Description

Due to the fact that I write articles that are very critical of the institutions that do not finance my environmental and energy inventions, I receive many letters from fake financiers, who instead of helping me, try to extort money from me. I responded to the letter above in generic way, sending the following response:

Dear Editor, or organization of national and international conferences and competitions, or investor, or benefactor, I think that today's consumer society has created global warming because it has only used specific skills, never global ones. It continues to do so despite, today, with small changes to the technologies developed, it would be possible to trigger interactive energy and purification processes that would make the current commercial, fossil, nuclear and renewable energies useless and obsolete, which by carrying out specific cycles, thermal, nuclear, solar, wind turbines, cannot interact interactively with the surrounding environment in order not to produce unwanted polluting effects, or the simple production of heat and steam which in any case represent a serious global problem. Nor can they solve the problem of transporting energy sources and the electricity itself produced to the points of use of the energy. Current world development would be very different and more sustainable if science and the current ruling classes had learned to directly extract clean primary energy (the one that must be transformed into electricity) directly from the environment. Unfortunately, as simple and elementary as the processes are, it seems that the entire world ruling class, including the scientific one, do not understand that this is the only solution that would allow us

to simultaneously solve the environmental, energy and short-term sustainable development problems without waiting for the current world ruling class to provide us on a silver platter with the new ecological transition based on new nuclear power and hydrogen transformed into fuel, thus completing ruining the planet from an environmental point of view and accentuating even more so the gap between rich and poor, since such energy undoubtedly comes at a cost. I, who in my life have always been a designer and installer of industrial and environmental anthropic systems, adapting to exploit existing technologies, had to wait until retirement to design industrial and environmental anthropic systems according to God's science, favoring natural processes. Which initially entailed a greater energy cost due to the greater circulation of water necessary for purification and energy purposes. From the beginning I had chosen fluid dynamic processes instead of the thermal ones that other public and private inventors of the present and past have chosen. My simple and elementary logic was and still is based on the fact that global warming cannot be fought by continuing to produce heat, since in terrestrial industrial and environmental work processes, it is rarely necessary to exceed the boiling temperature of water. Electrical energy itself does not need heat to be produced. It costs much less if produced cold, avoiding the subsequent cooling and purification costs that the use of fuels entails. Especially in mobile anthropic plants, purification is an impossible problem to solve, while heat prevents the Newton and Lorentz thrust from being added together. The latter, on planet Earth, unlike the universal one, can only be produced cold with the current induced in copper wires protected with insulating paints that cannot withstand temperatures higher than ordinary terrestrial ones, and the same water that boils it cannot be used correctly as an energetic, electrochemical and electromagnetic carrier. Therefore, there exist on planet Earth an incredible series of scientific design errors that no one wants to correct and these errors are affecting all sectors of human

activity, including public health and the race towards sustainable space exploration which require inventions that exploit the principles oxidative interactors of human blood to extend human life (artificial heart oxygenator of blood) and global linear engines that add together the thrust of Newton and Lorentz, still hindered today by the silence of science at the service of political and economic powers. While, legislators, at the service of the same powers, favor commercial inventions, disadvantaging sustainable intellectual ones that need to experiment with truly alternative solutions which, based on scientific paradoxes, such as those of Pascal (1623 – 1662): "pressure expands in all directions" and Venturi (1746 -1822): "increasing the velocity of a fluid decreases the pressure" are not easy to understand with physics and mathematics formulas. It is no coincidence that Pascal and Venturi were two Catholic priests who also dealt with science, uninterested in economic power. Today the Catholic Church no longer deals with science. To do charitable work he uses public contributions, private donations and invests, like everyone else, in global stock markets. The investigators have no doubts, many investments are speculative and ethically incorrect. The list of investments contrary to morality is long: Divided as follows: 198 million in shares, 61 million in futures and 8 million. one million ended up at TullowOil, an Irish oil company, banned from the United Kingdom and accused of having created an environmental disaster in Uganda, with toxic sewage spilled into the aquifers.

Personally, I am for a poor Church that does not flaunt works of art, closer to the poor and defenseless and I appreciate the work that the current Pope Francis is doing, who is slowly bringing out hidden truths that would never have emerged without his courage and the courage of the suburban priests who continue to live among the poor and defenseless. The only thing the current church lacks is scientific in-depth analysis which, compared to the past, has decreased instead of

increasing, leaving the field free to terrestrial temporal powers. Words condemning pollution and the generic invitation to sustainable solutions are not enough. It is necessary to go into the details of the solutions taking inspiration from terrestrial nature as the undersigned did in the SPAWHE nursery rhyme, vastly exceeding the current scientific and technological state of the art. Unfortunately, without economic means and experimental laboratories nothing can be demonstrated. If even world churches invest their savings in world stock markets, the true search for sustainable development will always remain a mirage for future generations.

I read from Wikipedia that Sir Leonard Valentinovich Blavatnik's capital is approximately 29.6 billion dollars, while the personal wealth of Mr Bill Gates, according to Money.it magazine, is approximately 104 billion dollars, that of Mr Elon Musk according to the motorionline.com magazine, it is 187 billion in capital. I wonder how many demonstrative prototypes of my purification and energy solutions could be made with a small drop of such wealth and how many could be made with the capital that the world churches and the United Nations have at their disposal. I'm not talking about definitive investments but only about very small prototypes, on a small scale, to verify how they work. The United Nations, in addition to organizing the annual COPs, also manages the laws and regulations on the intellectual and industrial property of inventions, encouraging the trade of commercial patents between public and private bodies without verifying whether scientific and technological alternatives and a different system exist. of designing anthropic plants, to bring all the countries of the world to the same level of development, to avoid the problem of migrants fleeing from misery, poverty and wars. I'm not complaining because no one paid me for my work as an inventor and for the filing fees they forced me to pay, even though I was dealing with social problems. I complain because the entire current society did

not want to experiment with my solutions for fear that they would work, demonstrating that the men of power of all times have always manipulated science, not financing inconvenient experiments for the preservation of their power. Considering that 99% of inventors are employed workers, as I was, before retiring to be an inventor, they certainly cannot dedicate their time to inventing inventions that cut across individual specializations. In fact, both the world that prepares people for work, and the world of work, to be efficient, are specialized in individual sectors and as an installer of anthropic systems, first industrial and then environmental for thirty-seven years, I have realized that above all in purification systems, not all open chemical and biological cycles can be closed in fixed systems and even more so in mobile systems. This elementary logic was not taught in any world school and therefore was not transferred to the world of work. To close the cycles within anthropic systems it is necessary to design the systems and the machines that work within them differently. This is the task of designers and inventors, especially public ones, who should correct the wrong inventions by private inventors, especially those of multinationals that produce large-scale fixed and mobile anthropic plants. After nine years of environmental proposals on cleaning up fossil energy, greeted with general silence by public bodies and multinationals committed together to improving thermal efficiency without changing the way the systems are designed, my inventions have made the leap in quality, coldly extracting clean energy directly from the environment. The silences that I had already collected between public bodies and multinationals have become even greater. On the other hand, if every citizen of the world extracts the clean energy they need, directly from the environment, without paying for it, what will the powerful people of the Earth live on? Strangely, the Catholic Church preaches not to worry but to look at the birds of the sky, which neither sow nor reap, nor gather into barns; yet the heavenly Father feeds them. Personally, I believe more in the saying "help yourself, God

will help you” and I believe I have been helped by GOD, otherwise I would not have been able to put together, in chronological order, without economic means, the purification and energy inventions different from the current ones, reported in the SPAWHE nursery rhyme starting from the underestimated scientific principles of Pascal and Venturi, who were men of faith. These two scientific paradoxes, without the use of particular technologies, would allow energy to be extracted directly from the environment for the simple fact that whoever created atmospheric air and water made them perfectly complementary from a scientific and technological in all physical, chemical, biological and electromagnetic aspects.

Studying these solutions, I realized who created the universe. had already predisposed physically, chemically, electromagnetically. the composition of compressible air and incompressible water at the temperature of the terrestrial environment, so that sooner or later, some terrestrial inventor would realize that all the other energy inventions invented by men are useless and counterproductive from an economic point of view. Faced with such perfection, I have become much closer to God, while the Catholic Church has become closer to the mechanism of the world stock exchanges, which also uses the artificial intelligence of quantum computers to accentuate the difference between the rich and the poor. In fact, none of my solutions have been taken into consideration by those who are developing artificial intelligence, but on the other hand, algorithms have been created that are able to accurately predict growing companies and those that will lose market share. In this way, world democracies will no longer be founded on real work but on speculation driven by those with global economic power. The rich will become richer and richer without working and the poor will become poorer and poorer, even if they kill themselves with work. It is no coincidence that none of my forty inventions have been tested in any country in the world.

It is no coincidence that the Catholic Church has also fallen into this trap, together with the trade unions and associations. I had already predicted something similar in this article published on 15.06.2015 <http://www.spawhe.eu/also-churches-and-associations-should-learn-to-design/> , In 2015 I had only had the first alternative energy intuitions, which would have led me to the conception of compressed hydroelectromagnetic energy. I would never have been able to conceive this type of energy without first solving the purification problems by exploiting the natural principles favored by the gravitational force. But at the beginning of 2024, we are still at the starting point because these insights were entrusted to a simple pensioner and not to a famous Nobel Prize-winning scientist. Yet, in my opinion, a Nobel Prize winner who does not know the world of industrial and environmental work in detail would never have thought of rationally connecting the work cycles together, as a simple system installer technician can do. It is precisely the scientific organization of work that must be global, which could allow us to resolve both the problem of global warming that we are experiencing, and the problem of migrants, and of wars between neighboring peoples, and religious conflicts. We are a very small planet in the immensity of the universe, only science applied impartially above the interests of governments and multinationals can allow true sustainable development for future generations, who instead risk premature extinction due to the great science that it does not know how to copy from the simple solutions that nature has already created without the use of any technology. the task of the inventors was and is only to increase the speed of fluid dynamic processes which also bring with them electromagnetic ones without fuels and nuclear energy and without the transport of energy from one place to another. Because even the simple transport of electrical energy negatively interferes with the natural ion exchange between the Earth's surface and the ionosphere which electrically and electromagnetically regulates the climatic conditions of planet Earth, intervening directly on the

regular progress of chlorophyll photosynthesis and the carbon cycle that functioned perfectly before the start of the industrial era. My latest articles published on the occasion of COP 28 talk precisely about these topics but it seems that no one has read them, as on the other hand, the entire SPAWHE nursery rhyme which is nothing more than a long series of sustainable inventions proposed by a simple pensioner who does not belong to the academic, political, economic or entrepreneurial world. Unfortunately, silence on my solutions is general, since in the current economy, the world stock exchanges are in charge and indirectly public science also works for multinationals that produce only commercial and incomplete inventions. This is the reason why no world power center has experimented with the sustainable inventions contained in the SPAWHE nursery rhyme, which should be considered a world heritage site, against the current deviated powers, to allow the conservation of the natural environment, not against the technological development, but with the help of slightly modified technology, as amply demonstrated in my lapsed patent filings and published articles. In my life as a designer and installer of industrial and environmental plants, I learned about the strengths and weaknesses of these plants and in my subsequent life as an inventor independent of the political, economic and entrepreneurial centers of power, I selected the best scientific principles, the best and cheaper technologies. I assembled them differently from how they are currently assembled because this is my job, which unfortunately I couldn't do as an employee. It is obvious that I have displeased almost all the world's centers of power, but my goal was not to obtain their consent, but to do my part to leave a better world for future generations.

All my work experience would have been useless if, as a retiree, I had not synthesized, selected, and virtually assembled an alternative development model to the current one. For this reason, I created my website <https://www.spawhe.eu>, where everyone can access my inventions and published articles

for free. Clearly, having never received public or private funding and having never paid the maintenance fees for the patents granted to me, according to current national and international laws, my patents are worth nothing on a legal level. This doesn't matter. What is important is that the scientific truth still comes out even if I had made some mistakes. Therefore, I will be able to all publishers who do not ask me for money to publish my articles published in chronological order on the following article entitled:

“spawhe's nursery rhyme and the map of the website <https://www.spawhe.eu>”.

The chronology shown in the map is important, since what was published later could not exist without the existence, at least virtual, of what was invented previously. Therefore, my solutions may seem like science fiction while we are still fighting, in vain, against global warming with blunt weapons due to the wrong energies that produce more harm than good, making us pay dearly for the well-being in the environments in which we live to the detriment of all the surrounding environments. With the current world energies, the scientific and technological state of the art has reached a dead end. At most, it can still earn a few points of efficiency, while the direct extraction of clean primary energy from the environment, as written in my last articles (<https://www.spawhe.eu/from-the-theory-of-general-relativity-to-the-general-artificial-terrestrial-interactivity-unwanted-by-governments-and-multinationals/>, <https://www.spawhe.eu/world-governments-that-reject-the-extraction-of-clean-energy-from-the-environment-reject-a-perennial-scientific-windfall-from-the-sky/>) represents an authentic scientific windfall that perennially falls from the sky at the request of individual energy users who will become producers of energy at any latitude, longitude and altitude of the Earth, this being extracted directly from the gravitational force, from atmospheric air and from incompressible water, in fixed and

mobile installations. This state of the art can never be achieved with current terrestrial energies, which is why my systems seem like science fiction and could even take us into space because this type of energy is infinitely recyclable. It could also extend human life with my artificial human blood oxygenator heart far more than any other scientific perspective based on traditional medicine, cardiology and neurology. It is clear that I felt the moral duty to design these solutions even if no one has ever paid me to do it and no one has ever encouraged me to go ahead. I hope that you publishers too make a small exception to your profit rules so that scientific truth comes out in the interest of future generations. The more you publish my articles for free, the more possibilities there will be to improve the lives of future generations, including your children and grandchildren. Even if I had made some design errors that I could not verify due to the absence of economic means and experimental laboratories, it would still be the first step to find out where my errors are. The current silence is only institutional silence against the scientific manna that could fall free from heaven in favor of everyone, including those who do not deserve it. I enclose with this letter the map of the website <https://www.spawhe.eu> and the list of articles that you can download in pdf and publish. If you want the word version of any article, I'll send it to you immediately. In the meantime I would like to point out my latest articles which, not by chance, has the following titles: <https://www.spawhe.eu/cop-28-the-usual-conference-of-global-scientific-hypocrisy-like-the-twenty-seven-previous-cops/>. <https://www.spawhe.eu/cop-28-science-has-not-understood-that-planet-earth-could-be-energetically-autonomous-without-fossil-fuels-and-nucleated-energy/>

I don't pay publishers and I don't participate in conferences because no one has ever paid me for my work as an inventor and none of my inventions have been created. I work for future generations, anyone is free to publish my articles or

dissociate themselves.

Best regards

Luigi Antonio Pezone

As you can see, I sent to Sir Leonard Valentinovich the same letter that I send to publishers who ask me for articles to publish or conferences to participate in, also adding the words investor and benefactor at the end. Then, reading the profile of the person concerned on Wikipedia, who is truly a very important person, I had second thoughts and sent a more specific response to the same address (l_valentinovich@myyahoo.com), out of respect due to the important person of the entrepreneurial world, which I did not know, being a modest worker. This reply came back to me as an unknown address and I thought that in this case too, as I suspected, it was a letter written by a false benefactor. At this point, I decided to transform my response letter into an open letter, as already done on some previous occasions published on my website (<https://www.spawhe.eu>). I think it is necessary for readers to understand the conditions in which inventors who do not belong to public institutions and multinationals, who collaborate with each other also work through one-way patent trading (from public bodies to multinationals). While private inventors would have to pay filing fees, maintenance fees and expenses for legal appeals without finding interlocutors and financiers, even if they deal with serious environmental, energy and health problems, as in the case of the undersigned.

This is the substance of the letter sent to the address copied from the email received (l_valentinovich@myyahoo.com) which turned out to be unknown, but by transforming it into an open letter, I further expanded some concepts.

Dear Sir Leonard Valentinovich Blavatnik, I now respond to your donation offer to me. My previous letter that I sent to

you was a generic letter, which I send to the publishers who would like to be paid to publish my articles and to the organizers of the conferences in which I do not participate since I would have to participate at my own expense at least in the costs of travel and accommodation in the places where the congress takes place. My activity as an inventor from an economic point of view is at a total loss, but this does not mean that my inventions are not good from a technical and scientific point of view, especially in the latest published articles

(<https://www.spawhe.eu/cop-28-the-usual-conference-of-global-scientific-hypocrisy-like-the-twenty-seven-previous-cops/>, **<https://www.spawhe.eu/cop-28-science-has-not-understood-that-planet-earth-could-be-energetically-autonomous-without-fossil-fuels-and-nucleated-energy/>**, I found authoritative confirmations from many scientists that planet Earth is energetically autonomous with perfectly clean electrical and electromagnetic energy, created by the ion exchange between the Earth's surface and the ionosphere. Without this energy there would be no life on Earth. This energy has always been renewed through atmospheric disturbances and lightning which were perfectly under control before current terrestrial inventions. Today, they are no longer under control because we have made mistakes in both the purification and energy systems. My solutions developed independently from the studies, research and experiments of the many meteorological scientists who have understood the functioning of global terrestrial energy, have the merit of having used interactive purification and energy systems between water and air that purify each other using gravitational force and atmospheric air as an energy source and water as an energy carrier. Therefore, with these elements available in every corner of the Earth we can cold produce all the energy we need without producing CO2 and steam which are responsible for current climate changes. Strangely, the entire world of science is silent on my solutions and equally, strangely, I receive several letters from false donors who, before granting me the

donation, ask me to pay a few hundred euros to complete strange notarial or administrative procedures which convince me that it is a question of a false donation, therefore, I am forced to renounce the alleged donation. Until now it has never happened to me that the donor has unblocked the procedure by anticipating the necessary expenses. Therefore, I never received any donations and could not test any of my inventions practically. With my modest pensioner's income I have limited myself only to paying the filing costs, not those of the annual maintenance of the patents foreseen by the current laws, as I consider them unfair, since I have never proposed commercial inventions but ones of public social utility. However, even if I wanted to pay them I couldn't pay them. I limited myself to publishing them on my website and making them available for future generations and anyone who wants to publish them without demanding payment. I have never asked for donations from public or private entities but I have declared myself available to collaborate or personally create demonstration prototypes, with public or private bodies if anyone is interested in my collaboration while I am still alive. What I believe is important is the verification of the scientific truth, without which it is not possible to correct the wrong inventions that are producing climate change. Since my inventions are of public utility, I cannot remain indifferent to those who offer me donations, but only declare that I will use this donation to ascertain the scientific truth in everyone's interest. Despite such claims, so far I have only received fake donations. In the case in question, I do not think that it is up to the undersigned to declare false a priori a person who presents himself with the name of one of the most important entrepreneurs in the world. Until proven otherwise, I reply to anyone who offers me an unsolicited donation that I will use their money to ascertain the scientific truth and not for personal use.

I attach to this letter two recent false donations

République de France
Ministère de la Justice de Légalisation

Droits humains

Tribunal de la Première Instance de Paris

GABINET LEGAL

N ° 87 425 - 235 MJLDH / TPIC / EMMQ
MAITRE NOTAIRE: XAVIER ROUX
PAYS: France, VILLE: PARIS
37 IMPASSE DES BOUIS RESIDENCE
THE CADES 34380 VIOL-LE-FORT



ACTE DE DONATION

Je soussigné (e): FRANCOISE TAMOU née le 27 janvier 1942.
Declare avoir accordé définitivement, sans conditions préalables, les fonds d'une valeur de **420.000 euros** au sein de la Banque **BNP PARIBAS** à **PEZONE LUIGI ANTONIO** née le 13/06/1949 à Pietramelara.
Le bénéficiaire devient alors propriétaire desdits fonds, qu'il peut disposer à sa convenance. Je n'aurai aucune réclamation contre l'homme nommé **PEZONE LUIGI ANTONIO** Nationalité **italienne**.
La donatrice n'a pas d'enfants, est définitivement privée du bien et ne peut pas vouloir récupérer ce qu'elle a donné. Contrairement à la volonté qui peut être révoquée à tout moment; un cadeau est irrévocable
Je l'ai dit et déclaré ma main gauche sur le cœur devant le procureur et la justice que **PEZONE LUIGI ANTONIO**, conformément à l'article (4 Loi 77-995 du 12/18/77) devient mon principal bénéficiaire.
Liquidation du cadeau et les articles suivants: **943 931 932 944 953 960 1076** du Code civil, la loi n ° **2006-728 du 23 juin 2006, article 9**) À compter de ce jour et après la certification par le tribunal de première instance de Paris, **PEZONE LUIGI ANTONIO** a le plein pouvoir d'utiliser cet écrit de don pour retirer ces fonds et, en tout lieu et en toute circonstance, présenter cette loi sur les dons de retirer des fonds en payant toutes les taxes applicables. Je certifie que les informations fournies sur la base de cet acte sont valables et authentiques, en foi de quoi je vous présente cet acte de donation qui sert ce que de droit.

NB : Article 01958/0215 du Code Penal de la Constitution française: le beneficiare doit payer les frais de constitution judiciaire qui sont necessaire et obligatoire, un cout fixe de **280€**

DONATRICE
FRANCOISE TAMOU



MJLDH-fr.GOV.2017/AP

NOTAIRE
P. LE PRESIDENT,
ROUX XAVIER

ME XAVIER ROUX
NOTAIRE A LA COUR SUPREME CONSEILLER JURIDIQUE
MANDATE ACCREDITES AUX AFFAIRES
FINANCIERES I REP FRANCAISE

Fait à Paris le **04/12/2023**
BENEFICIAIRE
PEZONE LUIGI ANTONIO

Vu, Signé et approuvé
Paris, le: **04/12/2023**

République de France
Ministère de la Justice de Légalisation

Droits humains

Tribunal de la Première Instance de Paris

GABINET LEGAL

N ° 87 425 - 235 MJLDH / TPIC / EMMQ
MAITRE NOTAIRE: XAVIER ROUX
PAYS: France, VILLE: PARIS
37 IMPASSE DES BOUIS RESIDENCE
THE CADES 34380 VIOL-LE-FORT



ACTE DE DONATION

Je soussigné (e): FRANCOISE TAMOU née le 27 janvier 1942.
Declare avoir accordé définitivement, sans conditions préalables, les fonds d'une valeur de 420.000 euros au sein de la Banque BNP PARIBAS à PEZONE LUIGI ANTONIO née le 13/06/1949 à Pietramelara.
Le bénéficiaire devient alors propriétaire desdits fonds, qu'il peut disposer à sa convenance. Je n'aurai aucune réclamation contre l'homme nommé PEZONE LUIGI ANTONIO Nationalité italienne.
La donatrice n'a pas d'enfants, est définitivement privée du bien et ne peut pas vouloir récupérer ce qu'elle a donné. Contrairement à la volonté qui peut être révoquée à tout moment; un cadeau est irrévocable
Je l'ai dit et déclaré ma main gauche sur le cœur devant le procureur et la justice que PEZONE LUIGI ANTONIO, conformément à l'article (4 Loi 77-995 du 12/18/77) devient mon principal bénéficiaire.
Liquidation du cadeau et les articles suivants: 943 931 932 944 953 960 1076 du Code civil, la loi n ° 2006-728 du 23 juin 2006, article 9) À compter de ce jour et après la certification par le tribunal de première instance de Paris, PEZONE LUIGI ANTONIO a le plein pouvoir d'utiliser cet écrit de don pour retirer ces fonds et, en tout lieu et en toute circonstance, présenter cette loi sur les dons de retirer des fonds en payant toutes les taxes applicables. Je certifie que les informations fournies sur la base de cet acte sont valables et authentiques, en foi de quoi je vous présente cet acte de donation qui sert ce que de droit.

NB : Article 01958/0215 du Code Penal de la Constitution française: le beneficiare doit payer les frais de constitution judiciaire qui sont necessaire et obligatoire, un cout fixe de 280€

DONATRICE
FRANCOISE TAMOU



MJL DH-fr.GOV 2017/AP

NOTAIRE
XAVIER ROUX

ME XAVIER ROUX
NOTAIRE A LA COUR SUPREME CONSEILLER JURIDIQUE
MANDATE ACCREDITES AUX AFFAIRES
FINANCIERES I REP FRANCAISE

Fait à Paris le 04/12/2023
BENEFICIAIRE
PEZONE LUIGI ANTONIO

Vu, Signé et approuvé
Paris, le: 04/12/2023

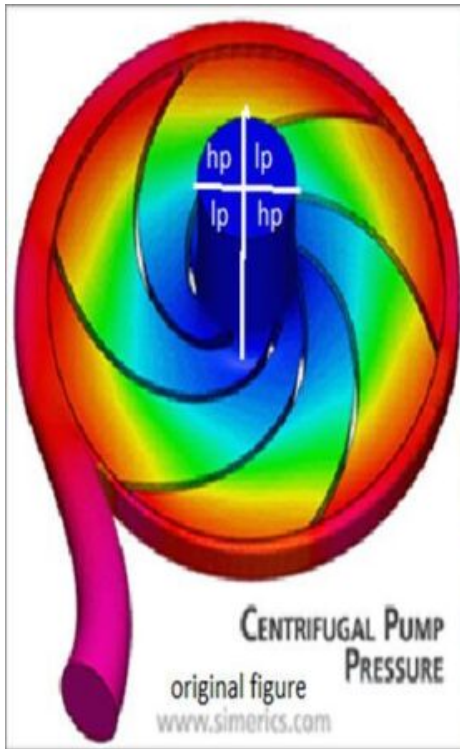
As I have written in several published articles, I have nothing against oil as a resource of the planet, and I would

have nothing against the use of fuels to produce energy, if the scientific and technological level of the state of the art on Earth were able to neutralize all the side effects that such use produces in the surrounding environment (thermal, chemical, biological, acoustic). In fact, I have also proposed an alternative use of the oil resource. One of my most important inventions, which no one has financed, is called "Artificial Welling". This invention could at least triple current world food production at very low costs. This important invention could never be achieved without petroleum derivatives. In fact, the production of natural fish currently occurs through natural welling which occurs only in 5% of the surface of the oceans which correspond to the coastal areas, where sea waves create currents which allow the carbonates deposited in the seabed to rise to the surface producing the phyto plankton which allows the development of zooplankton. To create artificial welling it is necessary to create artificial islands dedicated to fishing and tourism offshore the oceans, far from earthquakes and tsunamis. Probably with this solution we could also solve the problem of migrants, giving them the opportunity to find a job and a home. My solutions on that topic are described in the following articles and patent filings:

10.06.2016 <http://www.spawhe.eu/floating-system-with-extruded-polyethylene-pipes-ribbed-reinforced-and-filled-with-polystyrene/> , 10.06.2016 <http://www.spawhe.eu/floating-system-hydroelectric-desalter-extractor-of-calcium-and-carbon-from-marine-deep-water/>.

What I, as a former designer and installer of anthropic industrial and environmental systems and today an inventor, do not approve of, is above all the nuclear evolution that is making its way in the world ruling class. Albert Einstein was against the division of the atom and I agree with him because with current technologies at low costs we can obtain everything needed for scientific and technological progress.

In some cases, we can limit ourselves only to the excitation of atoms. Just think of the invention of laser beams which are having very important applications in the industrial and medical fields, especially in surgery. However, I believe that the most popular, simple and important inventions for humanity are those of the undersigned which are based on the scientific paradox discovered by Giovanni Battista Venturi of the speed of fluids which reduces the pressure at bottlenecks until the fluid enters pressure another fluid with different physical or chemical characteristics that find many applications in the medical, industrial, environmental and energy fields. I personally used this scientific paradox to design, as stated above, the artificial welling which with very low costs could at least triple the world's power supply capacities and in a subsequent phase, I used the same principle to invent the pump with the double separate power supply up to to the impeller which allows a low pressure fluid to be introduced into the high pressure recycling circuit to purify the water and produce clean electrical energy indefinitely by exploiting the static pressure of a normal autoclave in fixed and mobile systems and producing clean electrical energy all infinite at the temperature of the Earth's environment, without fuels and nuclear energy. To understand this miraculous invention it is sufficient only to understand how centrifugal pumps work by observing the drawing below.



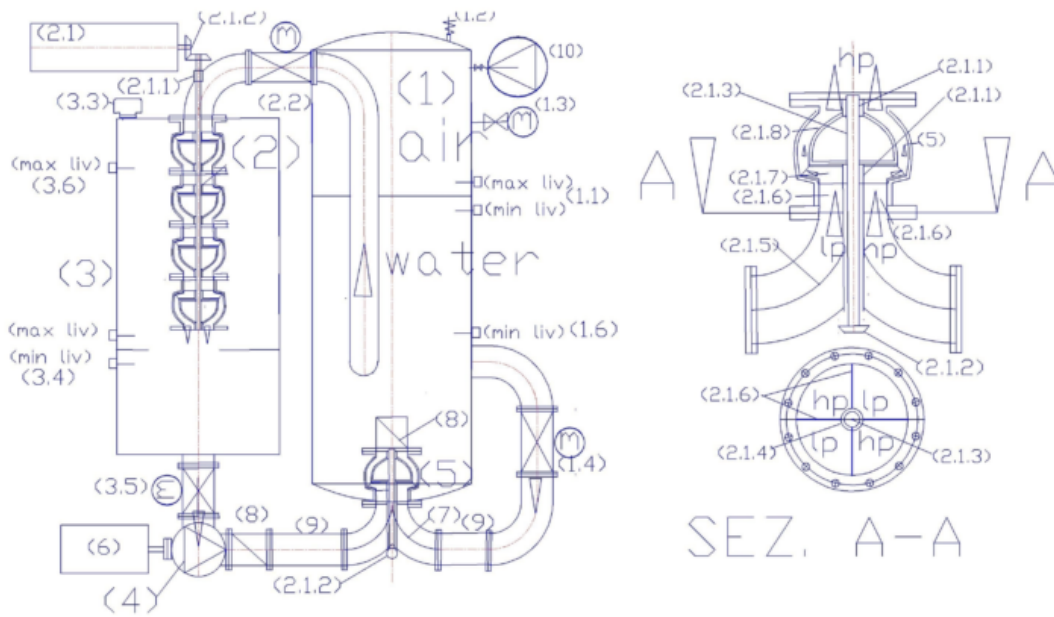
hp = high pressure = alta pressione
 lp = low pressure = bassa pressione

<http://www.spawhe.eu/relativity-and-technology-in-the-new-hydroelectric-energy/>

In the pumps, the centrifugal force, having radial direction, creates a depression capable of attracting the liquid intubated, external to the pump. The low pressure area is at the center of the impeller, is called "eye of the pump" is colored in blue on the attached drawing and corresponds to the input of water into the impeller. In the green zone begins the pressurization of the liquid, which is completed in the red zone. It 'clear that if we feed a pump with two flow rates equal but different geodetic heights, we have a considerable energy saving because it is the water from the upper reservoir, which can be recycled, to raise the water from the lower basin, by means of mixing water and the expansion of the greater pressure that happens in green and red area. Obviously, with this solution, they do not serve multistage pumps and motors of great power, but single-stage pumps with double flow and small power engines , dimensioned for water recycling, and not for lifting. If we divide the two flow rates in four areas, arranged diagonally, also we balance the forces on the bearings. Each sector is always powered with the same water, but the rotation of the impeller allows the flow sequence on the same blade so that the one with greater hydrostatic pressure to push the one with lower pressure. In essence, it is what happens in multistage pumps but with lower costs in the construction of pumps, motors and absorbed powers. But the dual supply pumps, coupled to the turbines also allow the production of energy with the recycling and the water lifting. However, it seems that the pumps with dual power does not affect the authority of the environment, the pump manufacturers and investors in general. They find not investors.

Nelle pompe, la forza centrifuga, avente direzione radiale, crea una depressione capace di richiamare il liquido intubato, esterno alla pompa. La zona di depressione è al centro della girante, è chiamata "occhio della pompa" è colorata in blu sul disegno allegato e corrisponde all'ingresso dell'acqua nella girante. Nella zona verde inizia la pressurizzazione del liquido, che si completa nella zona rossa. E' evidente che se alimentiamo una pompa con due portate uguali ma battenti diversi, abbiamo un notevole risparmio energetico perché è l'acqua del bacino superiore, che può essere a riciclo, a sollevare l'acqua del bacino inferiore, per mezzo della miscelazione dell'acqua e l'espansione della pressione maggiore che avviene nella zona verde e rossa. Ovviamente, con questa soluzione, non servono pompe multistadio e motori di grande potenza, ma pompe monostadio con portate doppie e motori di piccola potenza, dimensionati per il riciclo dell'acqua, non per il sollevamento. Se dividiamo le due portate in quattro settori, disposti in diagonale, equilibriamo anche le spinte sui cuscinetti. Ogni settore è alimentato sempre con la stessa acqua, ma la rotazione della girante consente la successione dei flussi sulla stessa pala in modo che quello con maggiore pressione idrostatica spinga quello con minore pressione. Nella sostanza, è quello che avviene nelle pompe multistadio ma con minori costi nella costruzione delle pompe, dei motori e delle potenze assorbite. Ma le pompe con doppia alimentazione, abbinata alle turbine consentono anche la produzione di energia con il riciclo e il sollevamento delle acque. Tuttavia, sembra che le pompe con la doppia alimentazione non interessino le autorità dell'ambiente, i costruttori di pompe e gli investitori in generale. Esse non trovano investitori.

<http://www.spawhe.eu/the-energetic-miracles-of-pumps-with-separated-double-supply-until-to-the-impeller/>

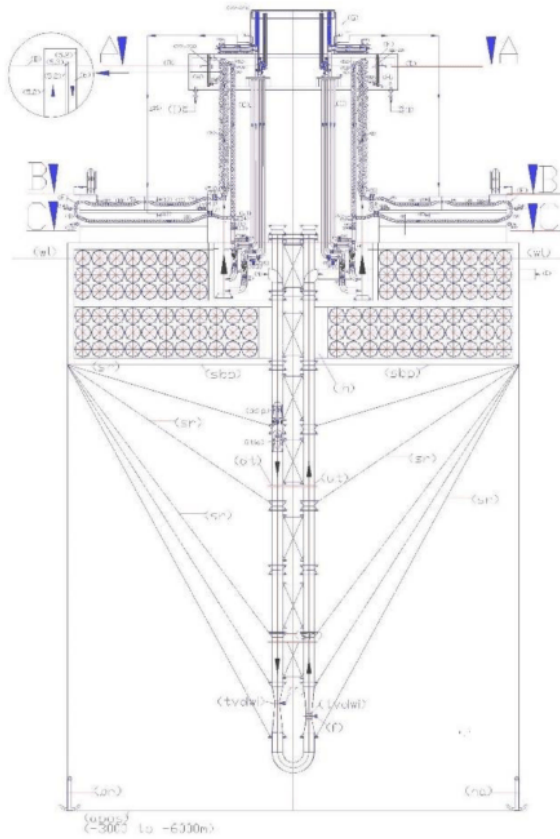


PRESSURISED RECIRCULATING HYDROELECTRIC GENERATOR FOR INDEPENDENT MOTORIZATION WITHOUT FUELS OF AUTO, TRUCKS, BUS, TRAINS, SHIPS, AIRCRAFT.

Legend : (1) autoclave pressurized tank; (1.1) level regulator with capacitive probes; (1.2) safety valve; (1.3) manometer with shut-off valve; (1.4) motorized valve flow control with position transmitter; (1.5) pressure or flow transmitter; (1.6) minimum level probe in the start system; (2) pump used as a turbine (pat); (2.1) alternating current generator; (2.1.1) bushing with sealing ring; (2.1.2) angle diverter with conical gears; (2.1.3) transmission shaft; (2.1.4) transmission shaft protection tube (2.1.5) double curve with septa crossed separators in low pressure (LP) and high pressure (hp); (2.1.6) septa separators of flow; (2.1.7) closed type; (2.1.8) Diffuser of the pump; (2.2) motorized valve to supply turbine with flow adjustment; (3) water transit tank at atmospheric pressure and containment pat; (3.1) motorized valve to feed pressurized water network; (3.2) motorized valve bypass supply at low pressure; (3.3) air valves; (3.4) Water level control with capacitance probes; (3.5) motorized valve for water supply at low pressure; (3.6) maximum level probe in the start system; (4) electric pump to supply in low pressure (5) electric pump with double separate supply until the impeller; (6) pump drive motor, with variable speed, controlled by an inverter; (8) check valve. (9) flow diverter stub pipe; (10) electrocompressor;

ARTIFICIAL WELLING

THE INTERACTIVE SYSTEM TO COMBAT ACIDIFICATION OF OCEANS PRODUCING DISSALATIONS, ENERGY, FOOD AND WORK.

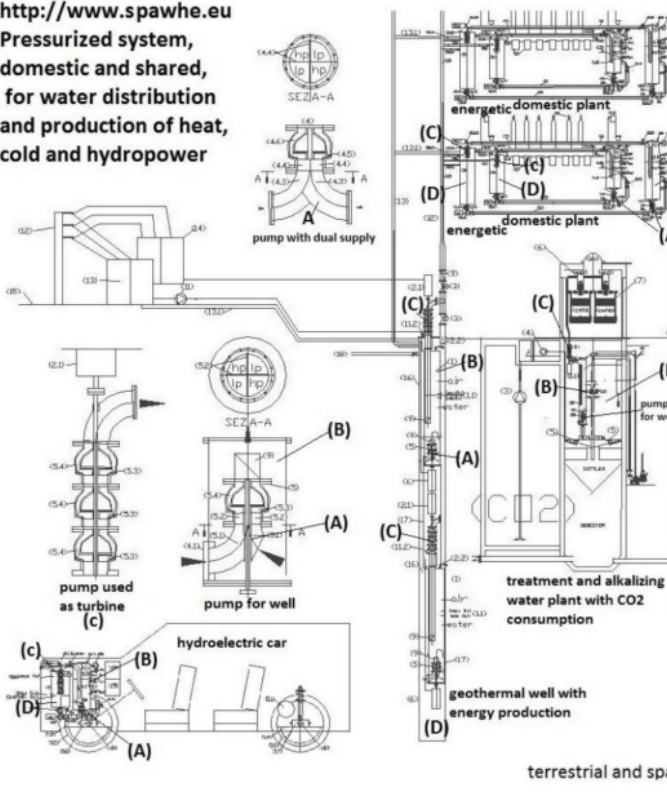


The state of the art in the development of desalination and demineralization treatment of marine and brackish water has been affected, along with industrial systems, purification, energy, food and protective of the environment, the absence of synergies between the pumps and hydraulic turbines and from the incorrect approach with the gravitational force, which must not be won by the hydraulic lifting but sustained, with one-way movement of water, especially in the gravitational direction, in the sea, in large basins, in open tanks. With simply overturned pumps coupled to the turbines can produce low-cost all the energy you need; continuing the descent and ascent of water in deep waters, for the venturi effect, we can suck and lift small percentages of deep water with high calcium and carbon percentage solubilized in them, that arrived at the surface, producing phytoplankton and alkalinity, increasing the abundance of fish and combating acidification and global warming; while on the floating platform, made with extruded and ribbed tubes made of low density polyethylene, blown in them polystyrene foam to make them unsinkable, with the triple synergy between the dual fuel pumps, turbines and the marine water recycling, by applying known hydraulic principles for centuries, as that of communicating vessels, the laws of Bernoulli and Pascal, placing, strategically, the electric double suction pump between a high positive hydraulic head and the turbines, we can desalinate large quantities of water, simply transforming a vertical tube in a ionic exchanger and recycling pipes and mixing in the energy producers, while the anionic and cationic synthetic resins, circulating contained in perforated polyethylene spheres as sieves. These spheres, floating climbing ion exchanger and descend for gravity emptying water in downhill tubes. By means of diverters change the path compared to the flow to be immersed in the washing tanks and regeneration of the resins, and reinserted again, indefinitely, in ion exchange circuit without interruption of the desalination cycle and energy production and without costs for heating the water or replace the membranes. If we want to exploit the immense riches of the sea, floating solutions have no alternative. The systems must be designed supported from above, since it cannot exist electromechanical equipment that can work to the abyssal depths. The sustainability of global systems is not only based on high technologies and special materials but above all on the physical basic principles, chemical, hydraulic and mechanical. The first problem that could face this solution is to provide a home and a job to migrant peoples fleeing war and hunger.

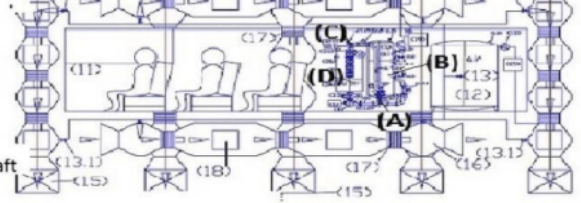
FLOATING SYSTEM, HYDROELECTRIC, DESALTER, EXTRACTOR OF CALCIUM AND CARBON FROM MARINE DEEP WATER.
<http://www.spawhe.eu>

COMPRESSED AIR IS MORE POWERFUL AND ECONOMIC OF HYDROGEN

<http://www.spawhe.eu>
**Pressurized system,
 domestic and shared,
 for water distribution
 and production of heat,
 cold and hydropower**

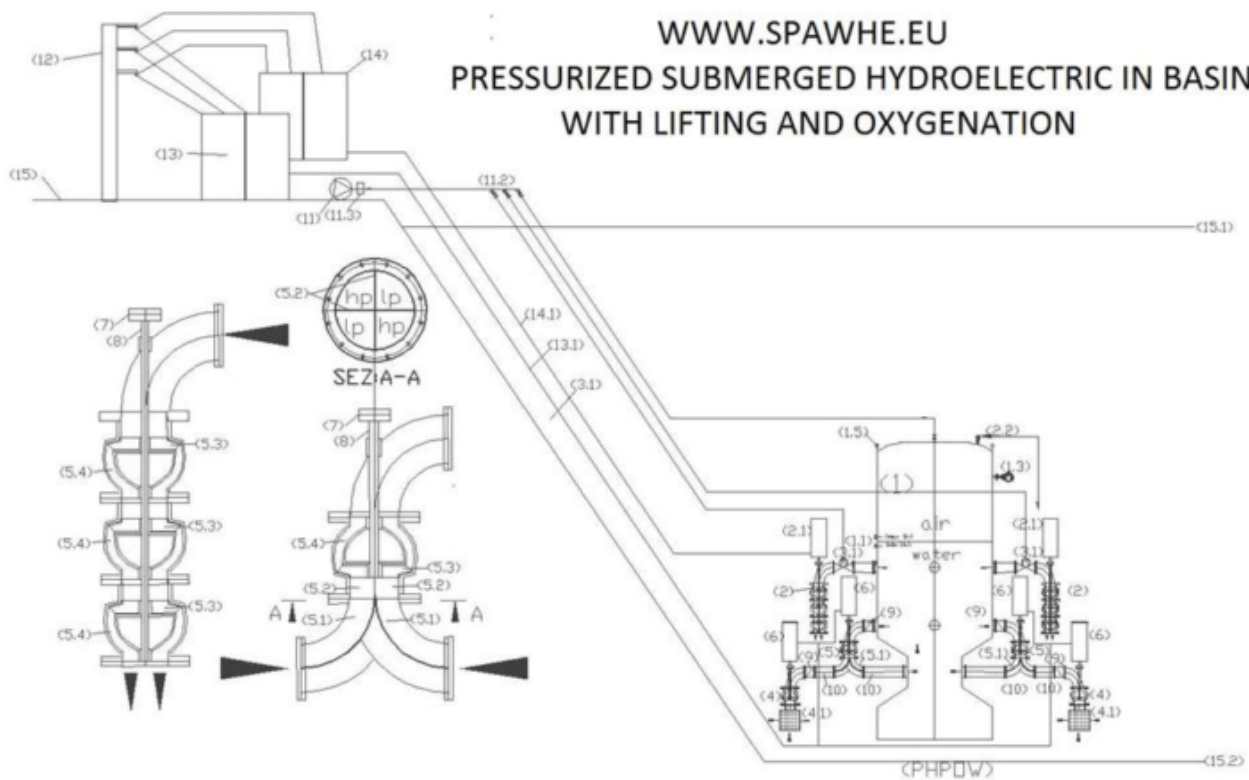


What is hydrogen in transport? Hydrogen is a chemical energy vector, which is used to produce mechanical energy through the combustion chamber of an almost common thermal engine, or reacted with oxygen to instantly produce the electrical energy needed to push an electric motor. Therefore, there are two types of hydrogen engines:
 HICEV: acronym for Hydrogen Internal Combustion Engine Vehicle, as a vehicle with hydrogen-powered internal combustion engine.
 FCEV: acronym of Fuel Cell Electric Vehicle, where hydrogen is used for the immediate production of electricity that feeds the electric engine.
 In both cases hydrogen (which is not found in nature but must be produced, with high costs, extracting it from fossil energy or water electrolysis) to be used on transport means must be compressed due to low energy density on a volumetric basis, and distributed by plants specially designed and diffuse throughout the territory. It must be transferred to high pressure (700 bar) on means of transport and consumed to produce energy in the aforementioned HICEV and FCEV systems. Instead, compressed air does not cost anything and is not consumed, because it uses only the static pressure, working like a spring (<http://www.spawhe.eu/hydroelectric-power-auto-with-torque-peripheral-to-the-wheels/>, <http://www.spawhe.eu/aerospatial-pressurized-hydroelectric-transport-system/>): the energy produces water or hydraulic oil that have a medium density eight hundred times higher than air and 10,000 times higher than hydrogen, it circulates using the principles of Pascal and Torricelli, which feed a pump used as a hydraulic turbine connected to an alternator. The discharged fluid from turbine is inserted back into the pressurized recycle circuit with the compressed air by means of the pump with the separate dual supply until the impeller, which is the most powerful energy invention of all time, although it is also the simplest: just modify a pump with an existing closed impeller (for other less powerful applications, open impellers are also good). As a result we do not need an expensive hydrogen distribution network nationally and globally, because we have an almost infinite autonomy of exercise, consuming only the air that dissolves in the liquid by the principle of Henry. Moreover, the compressed air can be used under any pressure for other purifying and energetic uses, as shown in the attached figure. The world's ruling class has lost its mind since the advent of the industrial era, wanting to charge the energy that costs nothing to users at all costs. For this reason I do not claim industrial property on compressed hydropower, but I expect the world to recognize the copyright that is recognized by all authors of works of intellect and when in the world science and justice will work together in the interests of all.

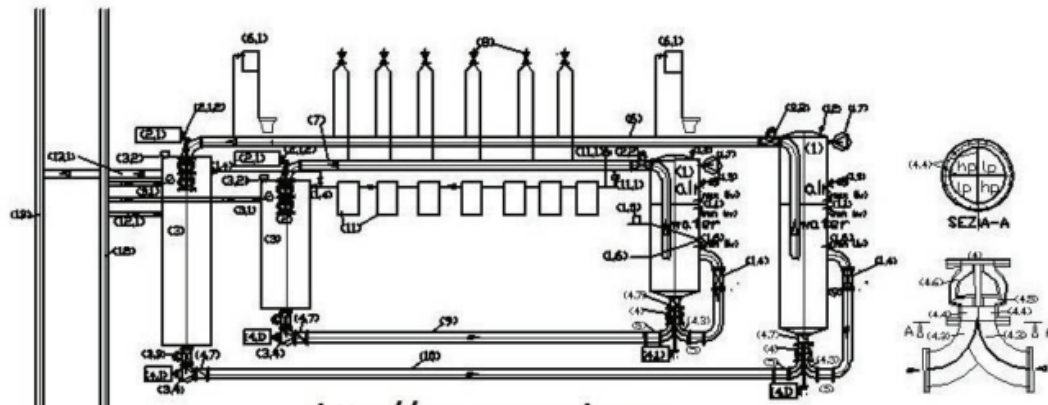


terrestrial and spacecraft

PRESSURIZED SUBMERGED HYDROELECTRIC IN BASINS WITH LIFTING AND OXYGENATION



With the second separate supply until the inside of the impeller, it is possible to introduce water at low pressure in the pressurized tank. Since water cannot be compressed, the same amount is excreted in high pressure by the cushion of air through a tube that feeds a turbine, transforming the energy of static pressure into dynamic and producing electricity. The compressed air volume does not vary, therefore the air behaves like a spring, but due to of the principle of Dalton on the partial pressures of the gases and Henry on the solubilization of the gases, neglecting the effect of nitrogen that is neutral and of the other gases that are in negligible percentages, we have an important effect of the oxygen solubilization due to the pressure which increases proportionally according of the same. This involves an increase in capacity of water purifying, without increasing the cost of production of electricity. Considering that to state of the art pressurized water power does not exist, it is clear that this invention involves huge economic and environmental benefits. If with the pump with double separate supply introduce polluted water into the pressurized tank, we can produce energy while we clean instead of consuming energy. We can realize submerged pressurized water power plants in the depths of lakes and seas. But the same application can be produced in a reduced version even in small treatment plants. All the hydraulic systems, including those depurative, of the future will be able to produce energy because the power of compressed air always allows to have residual energy to be exploited in a turbine and all will be with the water recycling, because the recycling of water by the pumps with the dual separate supply allows to circumvent the force of gravity and the pressure. The compressed air will be used as an accumulator of energy that disperses only the part of the energy due to the components that dissolve in the water chemically. This dispersion in global systems, which are also depurative, cannot be considered a loss of yield. With this invention we move towards the elimination of energy costs and multiplies environmental protection.

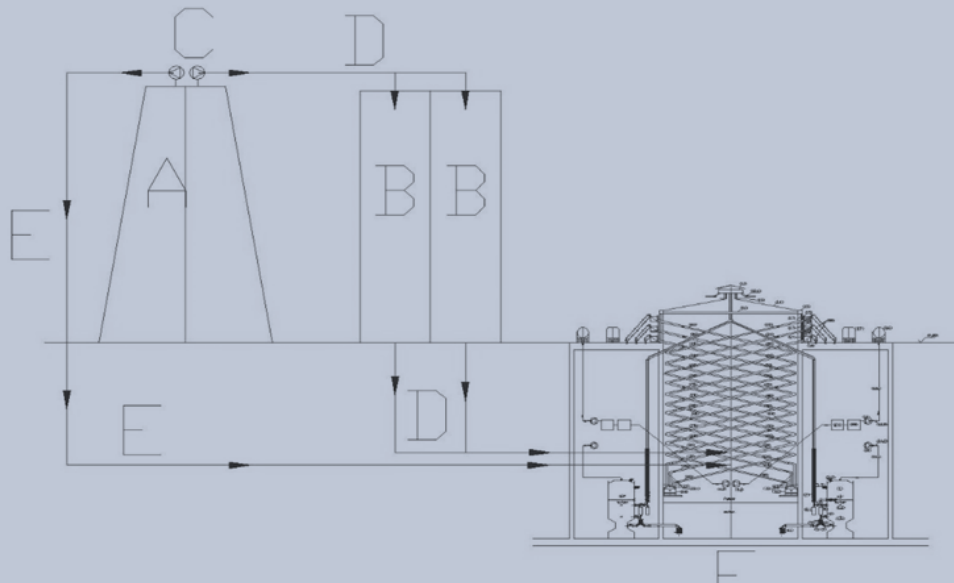


<http://www.spawhe.eu>

Domestic pressurized system for hydraulic distribution and and production of heat, cold and hydropower

I think it can all become energy producers, abolishing the bills to pay not only for the electricity but also for heating, because in the condominiums and apartments we can produce all the energy whom serves with hydropower pressurized which can produce energy and exchange heat with the ground even at the poles, the Arctic and Antarctic, where there are the famous polar night that lasts six months with conditions weather prohibitive. Probably, it has arrived the perfect energy, only with the impartial reasoning of those who are not tied to any economic power and has no money for the trials. But using rational systems already tested by nature, which only required the expertise to industrialization with modern technologies, since the current energies, do not use synergies. They are all incomplete and in competition with each other. Let's start with the most common one: The fossil energy has not solved the problem of CO2 emissions. Nuclear energy has not solved the problem of waste disposal. Organic farming is confined solely to emit organic CO2 instead of the fossil. The photo voltaic energy and wind power, are bulky, low performance, discontinuous and require materials that are already running low for the construction and energy storage. Hydropower has not solved the problem of water recycling, it requires great works, with large investments. In many cases creates more harm than good: torrential rains, finding water basins already full, produce floods. Today there is responsibility of all states on the current environmental degradation sovereign. Even the United Nations, which in 2001 produced a document called "Coding Project on the responsibility of states for internationally unlawful acts" signed by almost all sovereign states, are not free from crimes of omission. The joints of responsibility of global public officials, for myself, have created and create more damage of the eco-mafia. Which they may be identified and convicted, while the half scientific and technological truths, half-cleansings, half energies is difficult to locate them. You can unmask only with the most complete alternative projects. But who has the power to develop more comprehensive plans of governments and multinationals? Myself as a designer and inventor could only put on paper how, in his view, should generally be designed plants that should never be only purifying and never just energy. Politics, economics, philosophy alternatives are important, but do not prove anything. All problems, even those social resolve with the transparency of studying, which must be complete, leaving no pending cycles, especially public ones, should be the guide and example for private studying. Why the public and private powerful continue to fund, develop technologically advanced solutions, but still incomplete, and lacking of a global logic in all sectors? The industrial Taylorism taught to the undersigned in many years of work that a great series product can be produced in many different ways, but only one is the best: One that use better the industrial organization and the maximum automation. When I tired of the big industry has moved to work in the environmental sector, I have noticed that the environmental and energy Taylorism was never born. Therefore, things are not done in the best way, but worse. If it was born, It would change everything, how did SPAWHE, unfortunately, only virtually, being only the web site of a pensioner with no money. He would still taught the industrial Taylorism that the internal combustion engine on transportation could not be mounted, not being able to close the carbon cycle according to the rules required by the nature. There would be an exchange of positive experiences between industry and the environment, instead of the current exchange code of silence to hide their mistakes. You can find the new way to produce low-cost and cleanly electric power, heat and cold in the apartments and condominiums in all seasons and all hours and in every place of earth on <http://www.spawhe.eu/pressurized-domestic-hydraulic-energy-system/>. For a long time I seek public and private partners to achieve together this great adventure.

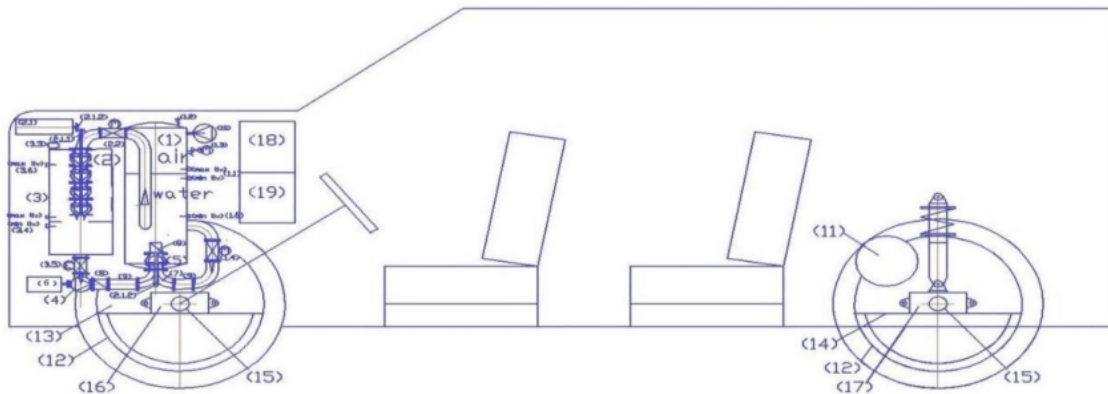
CALCAREOUS GREENHOUSES FOR FUMES AND DUST PURIFICATION SERRE CALCAREE PER DEPURAZIONE FUMI E POLVERI



The Figure shows the connection scheme to the world's most polluting thermal plants. Where A represents a blast furnace, incinerator, cement plant, a large thermal power plant, an oven for the production of lime. B represents the current filtration system of plants A which clearly are not sufficient to purify globally. C are the fumes and dust extraction fans. D and E, are the paths of the dust up to the inside of the calcareous greenhouse F, which purifies them by consuming the CO₂ the SO_x and NO_x contained in the fumes while producing compressed hydroelectric energy.

La Figura mostra lo schema di collegamento agli impianti termici più inquinanti al mondo. Dove A rappresenta un altoforno, inceneritore, cementificio, una grande centrale termica, un forno per la produzione della calce. B rappresenta l'attuale sistema di filtrazione degli impianti A che chiaramente non sono sufficienti a depurare globalmente. C sono i ventilatori di estrazione dei fumi e delle polveri. D ed E, sono i percorsi delle polveri fino all'interno della serra calcarea F, che li depura consumando il CO₂ i SO_x e NO_x contenuti nei fumi mentre si produce energia idroelettrica compressa.

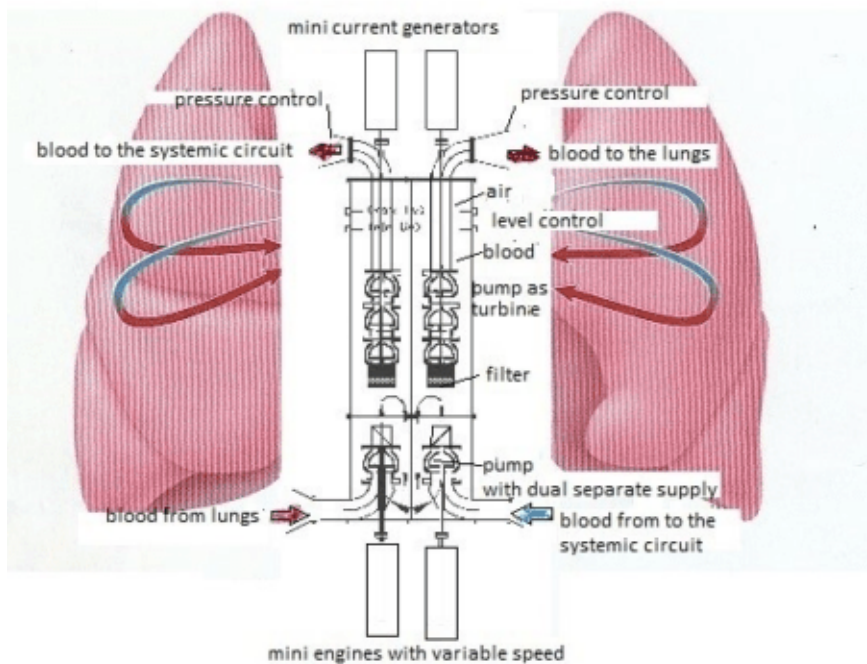
CAR WITH HYDRO POWER ENGINE



<http://www.spawhe.eu/hydroelectric-power-auto-with-torque-peripheral-to-the-wheels-novit%C3%A0/>

Legend: (1) autoclave pressurized tank; (1.1) level regulator with capacitive probes; (1.2) safety valve; (1.3) manometer with shut-off valve; (1.4) motorized valve flow control with position transmitter; (1.5) pressure or flow transmitter; (1.6) minimum level probe in the start system; (2) pump used as a turbine (pat); (2.1) alternating current generator; (2.1.1) bushing with sealing ring; (2.1.2) angle diverter with conical gears; (2.1.3) transmission shaft; (2.1.4) transmission shaft protection tube (2.1.5) double curve with septa crossed separators in low pressure (LP) and high pressure (hp); (2.1.6) septa separators of flow; (2.1.7) closed type; (2.1.8) Diffuser of the pump; (2.2) motorized valve to supply turbine with flow adjustment; (3) water transit tank at atmospheric pressure and containment pat; (3.1) motorized valve to feed pressurized water network; (3.2) motorized valve bypass supply at low pressure; (3.3) air valves; (3.4) Water level control with capacitance probes; (3.5) motorized valve for water supply at low pressure; (3.6) maximum level probe in the start system; (4) electric pump to supply in low pressure (5) electric pump with double separate supply until the impeller; (6) pump drive motor, with variable speed, controlled by an inverter; (7) double curve with septa crossed separators in low pressure (LP) and high pressure (hp); (7.1) septa to flow separators; (8) check valve. (9) flow diverter stub pipe; (10) electrocompressor; (11) self braking engine with variable revs (11.1) sprocket gears; (12) wheel rim; 12.1 ring gear; (13) motorization support of front wheel; (14) motorization support of rear wheel; (15) stationary shaft; (15.1) bearing; (15.2) wheel rim mounting flange; 15.3 brake disc; (16) front Axle; (17) rear axle; (18) electric command and control panel; (19) heat pump for summer and winter air conditioning.

ARTIFICIAL HEART OXYGENATOR OF BLOOD, ENERGETICALLY AUTONOMOUS.



The artificial heart of man, proposed in this patent deposit, closes the circle of sustainable energy based on the only physical principle possible in every remote corner of the Earth: the bypass of the force of gravity and of the elastic pressure of the air that it can be realized everywhere, even in the man's chest, using pumps with the double supply separated until to the impeller, which science, industrialists and world legislators pretend to ignore in order not to admit that they have wronged the entire industrial and economic development. Everything would have been simpler, cleaner and cheaper if this invention had taken place a hundred years earlier, as it could have been. The artificial human heart is the miniaturized version of the autoclave system, already reduced, to make it enter the wells' shirts, to purify the water producing energy. Entering the chest of the man to purify the blood producing the energy needed by the brain is not much different from expected for the wells. They serve two mini parallel autoclave systems that replace the right and left atria ventricles. The two pumps that feed them, with the double supply separated until to the impeller, allowing the balance of the hydrostatic thrust in suction and delivery, allow to get the blood coming from the systemic circulation in the mini autoclave on the right and the one coming from the lungs in that left, bypassing the compressed air pressure. This system works autonomously because the mini autoclave ejects at the same instant the quantity of blood equal to the one that enters, due to the principle of impenetrability of the bodies, through a mini pump used as a turbine connected to a direct current generator. The energy spent by the pump motor is about a tenth of the energy produced by the generator. This allows us to have enough energy available to produce the amount of compressed air necessary to the autoclave and the management of an electronic control unit that with a three-word voice command: "rest, normal, fast" manages the flow and the blood pressure according to the physical activity that it carries out. Although it is the air pressure that circulates the blood in the pump used as a turbine, since the circulation is one-way, apart from air solubilized in the blood with purifying effects, there is no other consumption of compressed air because it is exploited statically and not even electricity to produce it. Although it is the air pressure that circulates the blood in the pump used as a turbine, since the circulation is one-way, apart from the solubilized air in the blood with purifying effects, there is no other consumption of compressed air and electric energy. As published on <http://www.spawhe.eu>, this solution was found by myself after many years spent trying to improve the purification systems of water and air and many patents filed in vain. However, the study served to ascertain that world science has identified single and incomplete scientific principles, which used singly have polluted and warmed the planet. Only with the invention of the pumps with the double power supply separated to the impeller, the undersigned has found the key of the problem. In fact, through it, the dynamic fluid used cold between water and air, especially compressed, would have produced energy protecting the environment, consuming only moderate wear of materials, with low operating temperatures, and air pressures used statically, which would circulate the incompressible liquid. This is the true principle of terrestrial energy that, unfortunately, has not been legislated by world science, which still ignores it, hoping that in addition to myself, no one notices it. Too late. They would have to admit their mistakes, before this energy, despite their silences, also entered the human heart, were, not only it can extend the life of man for many years. But when the other organs are too old, the brain system and the artificial heart. It may also be transferred into an artificial body, which we now call robots, but governed by the human brain and the accumulated knowledge throughout life that will continue to grow even after the death of the body. Reality can overcome fantasy because in no science fiction film this form of human survival has been hypothesized. If the human soul exists it is contained in the brain and its knowledge. It will not be humiliating for anyone to survive thanks to an artificial heart, cybernetic, and some syrup specially designed by nutritionists to be solubilized in small autoclaves that will replace the ventricular atria. When we are ready to do this. We will also be ready to conquer the infinite space. Not before. With our very short current life, we cannot go very far. (<http://www.spawhe.eu/artificial-heart-oxygenator-of-blood-energetically-autonomous/>).

<http://www.spawhe.eu> FLYING AND FLOATING CARS WITH INTERACTIVE GLOBAL LINEAR MOTORS, THRUST OF NEWTON AND LORENTZ.

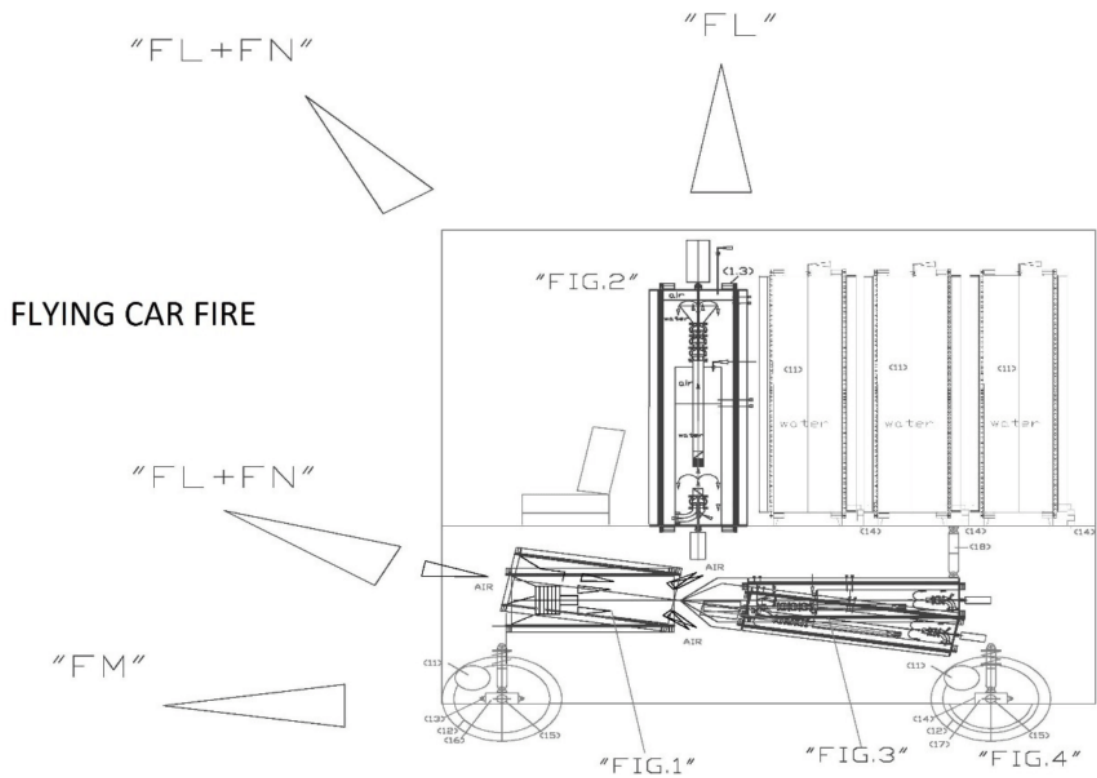
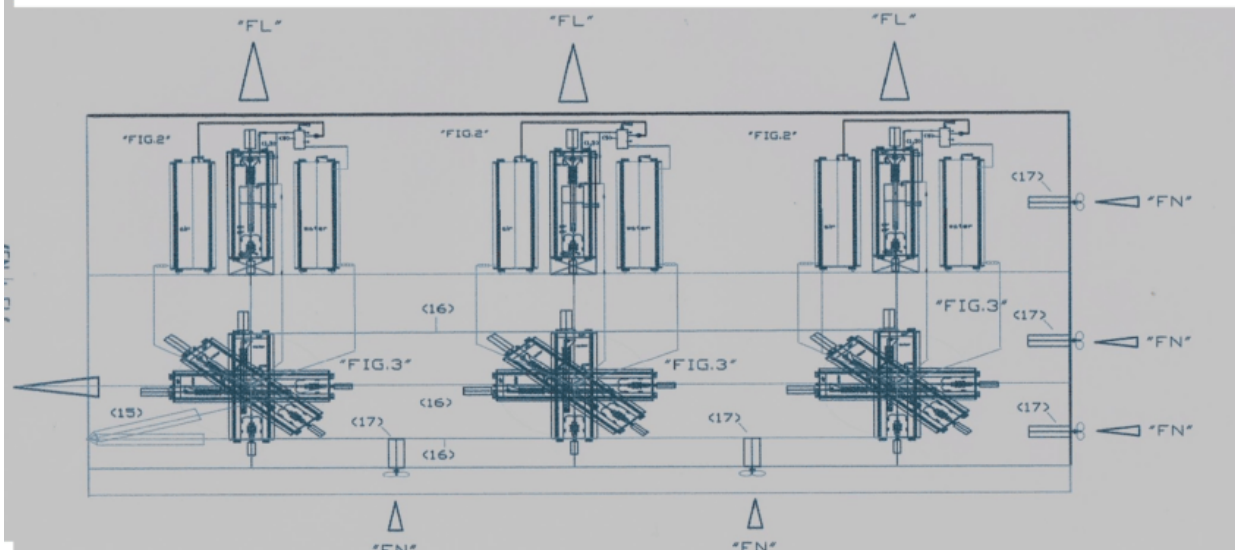


FIG. 6: Lorentz thrust (FL), Newton thrust (FN), drive thrust due to the wheels (FM), electric wheel motors (11), wheels (12), support support for the front wheel drive (13) and rear (14), front axle (16) equipped with an articulated frame to allow minimum turning radii, rigid rear axle (17), electric actuator (18) that changes the inclination of the global linear motor placed under the floor of the car (Fig 1+ Fig3) cylindrical water tanks (11) equipped with sliding tracks for the permanent magnets and external solenoids (1.8) and accessories (1.3,1.4, 1.5. 1.6,1.7) powered by the primary energy produced by the current generators (3.1) of both global linear motors (inside and outside the passenger compartment).

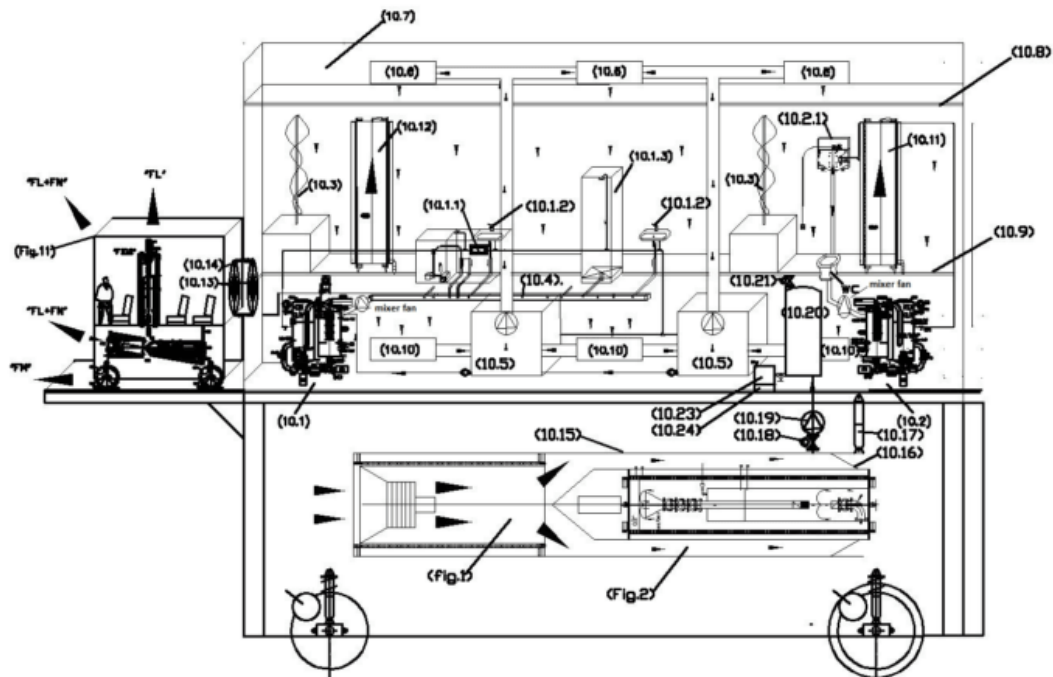
<http://www.spawhe.eu> AEROSPACE AND SUBMARINE TRANSPORT SYSTEM WITH INTERACTIVE PRIMARY AND INDUCTIVE LINEAR MOTORS



Figures 7 show the longitudinal section of a generic submarine transport vehicle, which is very similar to the aerospace system, in that it transports watertight containers to the ocean floor. The difference consists in the fact that also the external frame (T) which contains the lateral primary linear motors can be hermetically closed. Just keep the Newton and Lorentz thrusts separate, making the first with external propellers connected to the electric motors (17) located inside the frame. The submarines will not need to empty and fill the sealed chambers with water to adjust the depth of navigation because the weight will be balanced by the force of Lorentz and Newton according to the formula already mentioned $P = m * (a - aL - aN)$, where "AL" is the acceleration artificially produced with the Lorentz force and "aN" that produced by the reaction force of Newton. The submarines of the future will be much faster, cheaper and safer than the current submarines and will be able to descend to greater depths than the current ones. The legend is not reported being it is already reported in figures 2 and others used, to which the electric turbo fans which have been replaced by normal marine propellers (17) has not been reported. The electromagnetic thrust is produced entirely with the solenoids external to the fluid dynamic systems that also produce primary energy.

;

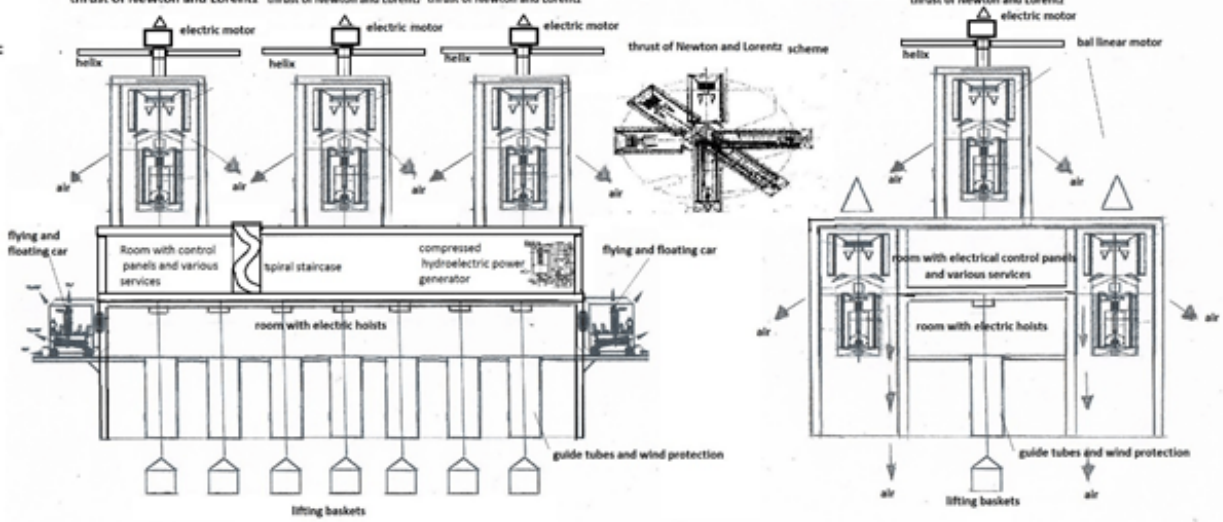
SPACE CONTAINERS WITH GLOBAL LINEAR MOTORS, INTERSTELLAR DUST CAPTURE SYSTEM AND INTERNAL SURVIVAL SYSTEMS. <https://www.spawhe.eu>



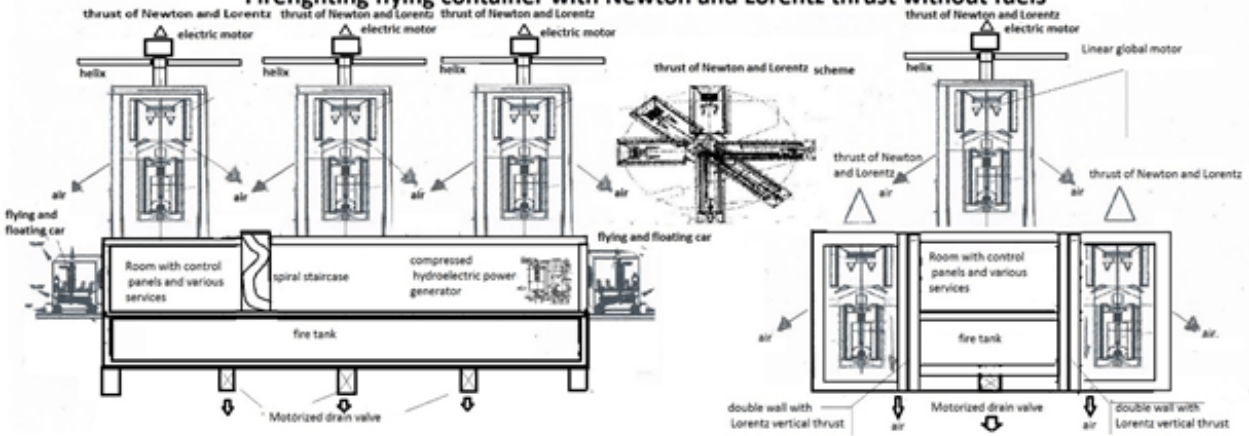
"FIG.10"

(10.1) domestic water purification plant; (10.1.1) ultraviolet disinfection system; (10.1.2) drinking water withdrawal point; (10.1.3) shower; (10.2) toilet waste water treatment plant; (10.2.1) toilet drain pan; (10.3) hydroponic cultivation; (10.4) waste water collection channel; (10.5) purification, humidification and air recycling system; (10.6) electrostatically polarized air inlet vents into the environment; (10.7) ceiling air distribution plenum; (10.8) regenerable filter ceiling in steel straw; (10.9) gridded floor with air passage; (10.10) electrostatically polarized air intake vents; (10.11) water reserve tank with external solenoid and vertical circulation of permanent magnets to produce Lorentz thrust; (10.12) compressed air reserve tank with external solenoid and vertical circulation of permanent magnets to produce Lorentz thrust; (10.13) Airtight passage porthole; (10.14) electromagnetic flexible metal bellows with external vacuum-tight gasket; (10.15) external connection steel tunnel between the electric turbofan fig1 and the compressed hydroelectric primary energy production plant of fig.2; (10.16) truncated conical sector closure of the interstellar dust collection tunnel by means of a steel rope which runs in rings external to the closing cone; (10.17) electric actuator for activating dust collection closure; (10.18) shut-off solenoid valve; (10.19) electric vacuum pump; (10.20) high vacuum dust collection tank; (10.21) air inlet solenoid valve at atmospheric pressure; (10.22) solenoid valve for interstellar dust output; (10.23) electrostatic filter; (10.24) removable container for interstellar dust; (Fig. 11) interstellar local displacement vehicle.

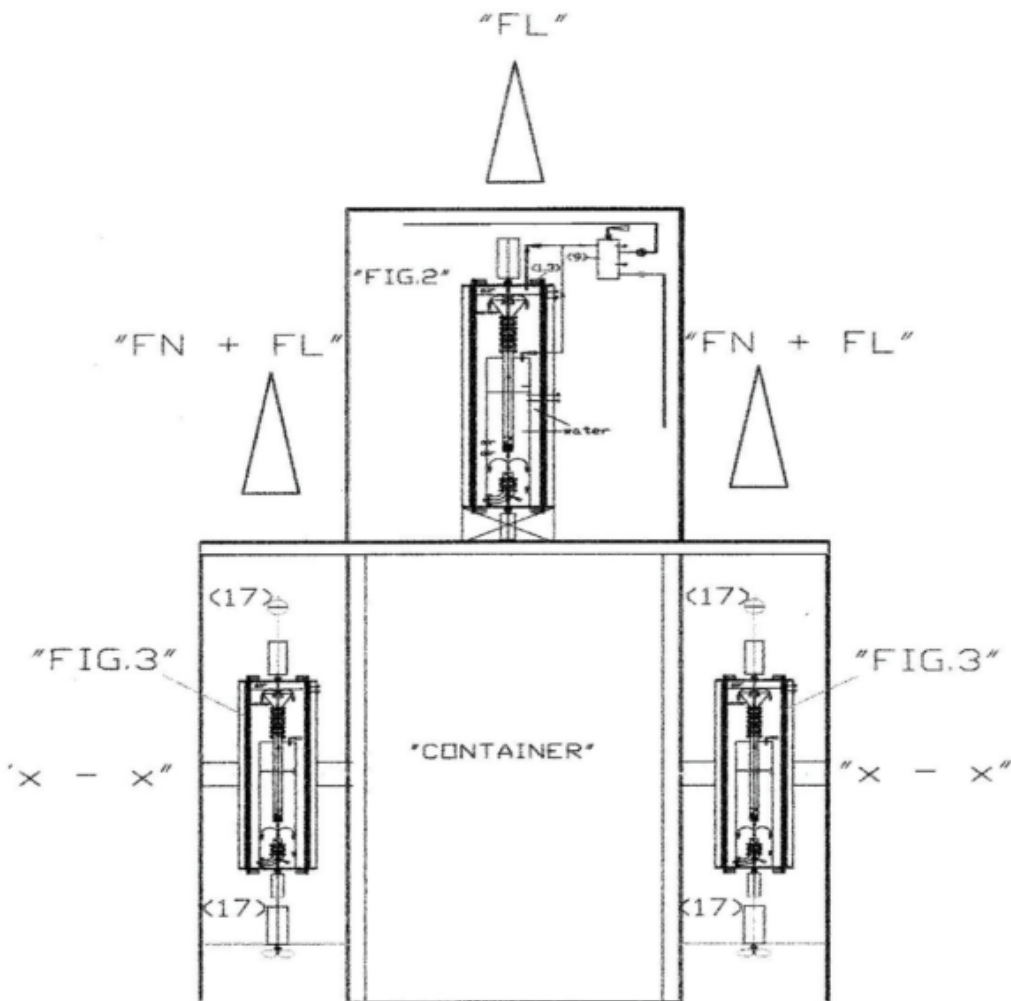
Flying container for the rescue of migrants with Newton and Lorentz thrust without fuel



Firefighting flying container with Newton and Lorentz thrust without fuels

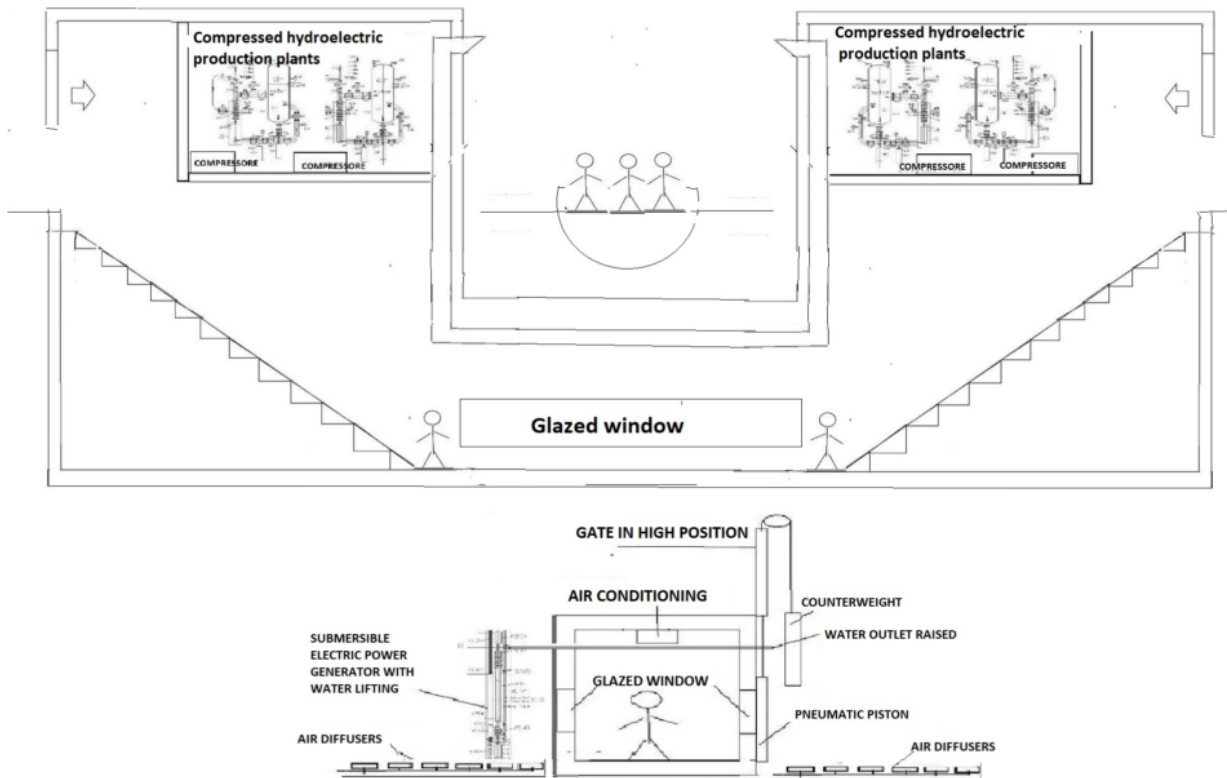


<http://www.spawhe.eu> AEROSPACE AND SUBMARINE TRANSPORT SYSTEM WITH INTERACTIVE PRIMARY AND INDUCTIVE LINEAR MOTORS



Figures 6 show the cross section of a generic submarine transport vehicle, which is very similar to the aerospace system, in that it transports watertight containers to the ocean floor. The difference consists in the fact that also the external frame (T) which contains the lateral primary linear motors can be hermetically closed. Just keep the Newton and Lorentz thrusts separate, making the first with external propellers connected to the electric motors (17) located inside the frame. The submarines will not need to empty and fill the sealed chambers with water to adjust the depth of navigation because the weight will be balanced by the force of Lorentz and Newton according to the formula already mentioned $P = m * (a - aL - aN)$, where "AL" is the acceleration artificially produced with the Lorentz force and "aN" that produced by the reaction force of Newton. The submarines of the future will be much faster, cheaper and safer than the current submarines and will be able to descend to greater depths than the current ones. The legend is not reported being it is already reported in figures 2 and others used, to which the electric turbo fans which have been replaced by normal marine propellers (17) has not been reported. The electromagnetic thrust is produced entirely with the solenoids external to the fluid dynamic systems that also produce primary energy.

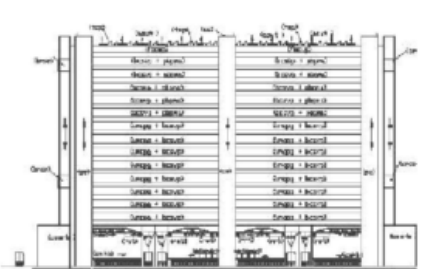
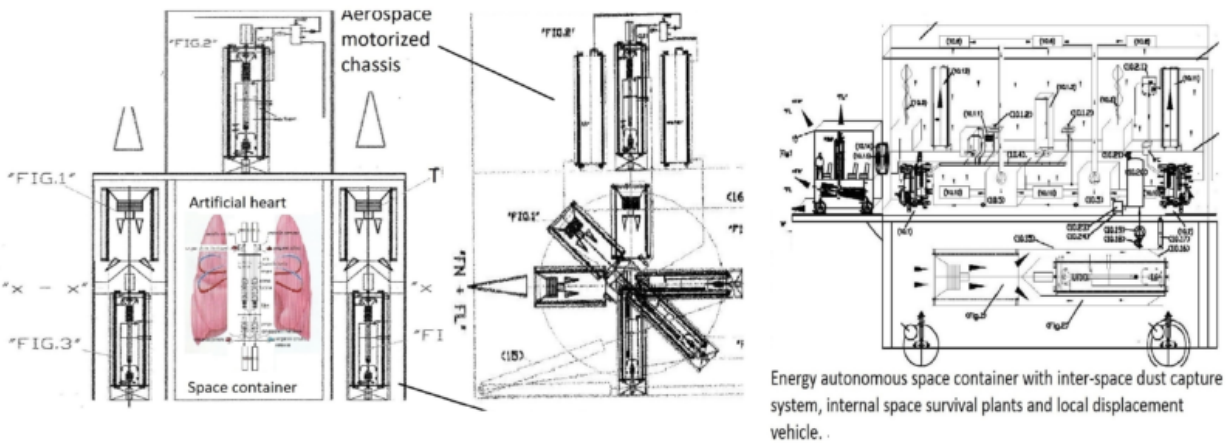
high water defense system for individual Venetian canals with view and oxidation of the seabed



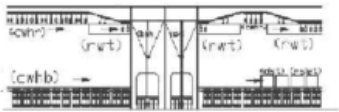
The drawing above extracted from the article <https://www.spawhe.eu/world-governments-that-reject-the-extraction-of-clean-energy-from-the-environment-reject-a-perennial-scientific-windfall-from-the-sky/>, schematically, shows how it could be possible to create submerged crossing tunnels, especially at the ends of individual navigable canals with small boats that are not disturbed in their navigation. The energy produced through the compressed hydro-electromagnetic current generators that can be created in the access compartments to the submerged tunnel and the submerged current generators can supply all the energy needed to power the street lighting of the lagoon city, power the compressors that power the diffusers of air, raise and lower the gates and raise and return to the sea the waters that manage to infiltrate through the seals of the bulkheads. Always with energy costs equal to zero as regards the extraction, refining, transport, purification processes of the energy produced. The only costs that the citizens of lagoon cities like Venice will bear will be those due to the wear and tear of the machines that will operate throughout the year to trigger the energy and purification processes which, as we

know, cannot take place on their own. These processes, as described in the title of this article are an authentic scientific windfall fallen from heaven still misunderstood by the current scientific advisors of world governments. Other than the investment and management costs that are charged to the Italian people by the monster of Venice. (each lift cost 272 thousand euros, while in 2021-2022 the costs dropped to 211 thousand euros per lift, thanks above all to improvements in procedures: for example, in the past it took 60 minutes to raise the gates, while now it takes 30).

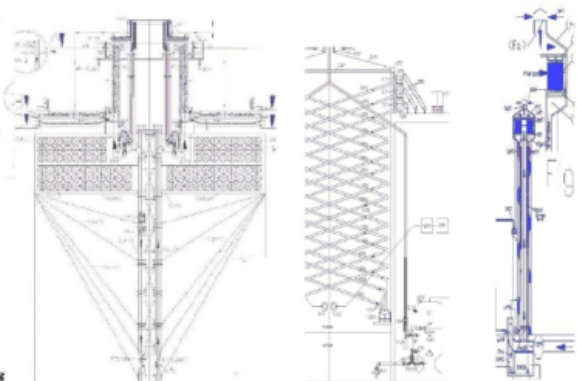
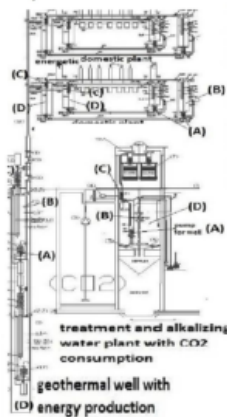
I have not filed this further environmental and energy solution as a patent because I don't believe that the current world institutions are capable of implementing these innovations, otherwise they would have also included my other forty previous inventions on these topics, which are still waiting for some country to create them , although, legally, no one, public or private, owes anything to the inventor, who has not paid the maintenance fees on the granted patents and has not made legal oppositions on the non-granted patents. It is clear that there is something very serious, that is not right, in the entire world ruling class.



Energy-independent vertical synergistic building with purification plants with superimposed biological ponds and with food crops and automated internal transport system



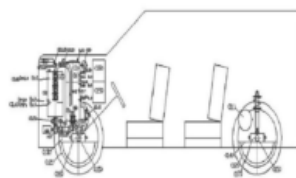
hydroelectromagnetic domestic system



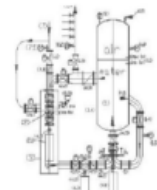
artificial welling with vertical desalination

limestone greenhouse with CO2 consumption and alkaline water production.

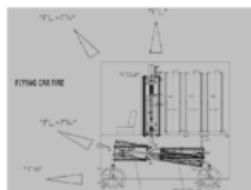
Smoke capture and purification chimney to be combined with limestone greenhouses



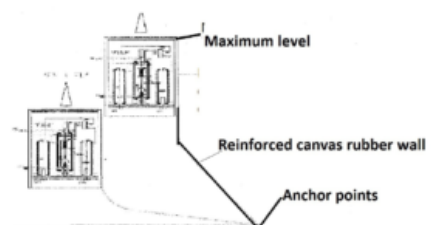
Compressed hydro-electromagnetic car with driving torque applied to the periphery of the wheels



Compressor hydro-electromagnetic current generator with recycling and lifting of condominium waters



Flying fire vehicle with global linear motors, Newton and Lorentz thrusts



Mobile barrier for defense against flooding hydro-electromagnetic compressed with Newton and Lorentz thrust.

COP 28. Science has not understood that planet Earth could be energetically autonomous without fossil fuels and nucleated energy.

<https://www.spawhe.eu> by luigi antonio pezone

Conclusions

The numerous figures reported in this article were extracted from the 111 previous articles reported on the website <https://www.spawhe.eu> which describe in detail an alternative development that has never occurred on planet Earth. So, one could infer that this website was created by the imagination

of the writer, that would be me. It is instead based on physical, chemical, biological principles, existing technologies, put together by the undersigned differently in existing anthropic plants to favor and trigger the natural interactive processes that would gradually lead to global purification and the extraction of the energy source and the ideal energy carrier, already identified by nature, which are nothing other than compressible air and incompressible water, conserve respectively in the gaseous and liquid state (i.e. at normal terrestrial temperatures and pressures), so as to be able to interact both in purification and energy processes with lower costs and no unwanted side effect. Unfortunately, this global system, which consumes neither the energy source nor the energy carrier, which are automatically renewed at the end of the processes, created entirely with air in the gaseous state and water in the liquid state, has not been understood by the current consumer society, which with combustion and nuclear energy have produced immense quantities of CO₂ and steam which, being greenhouse gases, have altered the entire Earth's climate balance. Unfortunately, on planet Earth, we have created a ruling class that profits from the current energy and purification systems and also profits from the reconstruction works essential to repair the damage caused by the increasingly frequent storms, floods, droughts and fires throughout the world. Therefore, in the current consumer society, the few rich are becoming richer and the many poor are becoming poorer.

In the following article <https://futurism.com/the-byte/scientists-warn-climate-collapse-2100> published in the journal BioScience, it says that a document warning that "life on planet Earth is under siege" as we continue to spiral ever faster towards environmental collapse has been co-signed by more than 15,000 scientists from 161 countries. I wonder what solutions these scientists propose other than the usual renewables which are worth nothing compared to interactive purification and energy

systems. I believe I have practically demonstrated that planet Earth, unfortunately, is governed by power lobbies, not only political and economic but also scientific and academic, otherwise at least some of these inventions would have had to have been tested and we would know if they work or not. published in the journal BioScience, it says that a document warning that "life on planet Earth is under siege" as we continue to spiral ever faster towards environmental collapse has been co-signed by more than 15,000 scientists from 161 countries. I wonder what solutions these scientists propose other than the usual renewables which are worth nothing compared to interactive purification and energy systems. I believe I have practically demonstrated that planet Earth, unfortunately, is governed by power lobbies, not only political and economic but also scientific and academic, otherwise at least some of these inventions would have had to have been tested and we would know if they work or not. It was useless to explain to bureaucrats graduated from Italian and European universities that perpetual motion does not belong to my culture as an inventor as it is simply useless, not being able to consume or even produce energy. My inventions are based on a long experience acquired in the installation of industrial and environmental systems which are imperfect in terms of organizational work, since they do not sufficiently exploit the interactive principles existing in nature, due above all to the gravitational force and electromagnetism that terrestrial science has been able to invent, but not adequately exploit to extract clean primary energy at atmospheric temperature and pressure. My activity as an inventor has focused, above all, on the fluid dynamics of water and air and terrestrial electromagnetism which has nothing to do with current renewables which are in any case mono-disciplinary commercial energies that are not able to exploit the gravitational force and terrestrial electromagnetism to connect to universal electromagnetism, to the point of adding together the Newton and Lorentz force which can only be added cold in fixed and mobile systems. In

fact, all my inventions are based on improving the contacts between water and air first at a purifying level and in subsequent inventions, on improving the force that water and air can produce together

coupled with terrestrial electromagnetism, which is very different from the universal one, being developed with permanent magnets, coils of wires protected with insulating paints, certainly not suitable for nuclear and thermal energy. These considerations of mine, which strangely, on planet Earth, no one seems to have made, could allow us to extract energy from the environment for free in every corner of the Earth, in small and large, fixed and mobile, fuel-free anthropic plants, nuclear energy and inefficient and cumbersome renewables, as explained extensively in my inventions and articles published on <https://www.spawhe.eu> . These considerations of mine, which strangely, on planet Earth, no one seems to have made, could allow us to extract energy from the environment for free in every corner of the Earth, in small and large, fixed and mobile, fuel-free anthropic plants, nuclear energy and inefficient and cumbersome renewables, as explained extensively in my inventions and articles published on. The old multinationals have produced global warming, also losing out economically. The new ones are equally wrong as they do not have the strength and interactivity to act where needed, when needed, in a simple and economical way, without industrial transformations, marketing and transport of energy. It is a global shame that not a single euro has yet been spent on planet Earth to experiment with interactive purification and energy solutions. Personally, I, who have lived over fifty years of current industrial and environmental experiences, am very disappointed by all the world institutions, without exception. However, I believe that planet Earth should be governed scientifically, because only science cannot make mistakes, as long as everything is tested and verified practically through prototypes demonstrating the efficiency of

the inventions before producing them in billions of specimens, as was done with the current inventions of multinationals. But also large public works such as dams which have produced more disasters than benefits. You can't accept anything sight unseen. This is why there are patents that describe to the relevant authorities how the invention will be created and how it works. But patents can have commercial production and public utility objectives. It is not difficult to identify the difference between commercial and public utility patents, yet, private inventors who deal with these types of problems are punished by legislators, to leave the field free to institutional inventors, who, as mentioned, by not paying filing fees and maintenance (paid by taxpayers), they only collaborate with multinationals, isolating inventors who try to do the work they should have done, without funding, laboratories and workshops to test interactive inventions, which are the only ones that could save the life of the planet, reduce the current gap between rich and poor, save many lives from climate disasters and even extend the human lifespan, because the human body also benefits from blood purification by means of an artificial heart that exploits the principles interactive. There needs to be a minimum level of coherence on the part of governments and the United Nations. Inventors dealing with environmental and social problems should not be required to pay fees in addition to the filing fee, which should be a symbolic fee. Even the United Nations should take on the burden of experimentation, in favor of all the countries of the world. This elementary logic does not exist in current government authorities and the United Nations. Peace is also and above all built with the right inventions in the right places. In fact, during climatic and seismic disasters, the first things that are missing are energy and clean water which would never be missing if water were the energy carrier and clean air and gravitational force were the primary source. of world energy, as the undersigned has proposed since 2015, while science itself, which makes useless appeals, has not said a word to ask for the

experimentation of interactive inventions. My proposal published on 28. 02. 2020. to create a joint-stock company to make up for the errors, omissions and wasted opportunities by science and the world's centers of power, up to now, has not raised even a single euro. <http://www.spawhe.eu/a-global-stock-company-against-errors-omissions-and-opportunities-wasted-by-science-and-world-power-centers/>.

For all these reasons I affirm that COP 28 cannot be anything other than the usual conference on scientific hypocrisy, like the twenty-seven previous COPs.

By pure coincidence? On 26.11.2023 at 8.25 pm I had just published the following article <https://www.spawhe.eu/cop-28-the-usual-conference-of-global-scientific-hypocrisy-like-the-twenty-seven-previous-cops/>, when I received a proposal to purchase my website. I responded to this proposal, the sender of which I do not disclose, in the following way: I cannot sell my website as it is inextricably linked to my inventions which were conceived in interest of the planet and of the entire world population, therefore my aforementioned proposal to create a joint-stock company experimenting with new solutions not tested until now is still valid. Those who believe in these proposals have the opportunity to buy the greatest number of shares, demonstrating that they truly want peace and general development. As I wrote in this article and in previous articles, the current United Nations which manages COPs, the intellectual and industrial property of patents, have spectacularly failed in their task, allowing the production of global warming, the unequal distribution of world wealth. Probably, even wars and the massacre of civilians and children, who are completely unrelated to the current power games, who in any case have scientific ignorance, because science cannot be wrong if it experiments with all the solutions, before producing them on a large scale, as it is

still doing with current inventions that are totally or partially wrong.

I want to add another quick note: Isaac Newton (1642 – 1726) said that what we know is a drop while what we don't know is an ocean. Today we can say that what we have learned is enough to better appreciate what men had in the pre-industrial era. Above all, thanks to Newton, we understood the difference between mass and force, since, The unit of measurement of force in SI is the newton, defined as the force that gives a body with a mass of 1 kg the acceleration of 1 m/s^2 . Considering that in the atmosphere at Newton's time we had small quantities of vapor in the atmosphere due to natural evaporations and today almost all the energies we produce emit vapor (nuclear, thermal, solar) and that the drops of water contained in the vapor have a mass 830 times greater than air, it should be obvious that atmospheric disturbances produce immensely more damage than they did in Newton's time. I think that if Newton were still among us he would have noticed, while the science of the last 150 years has not noticed anything and insists on producing steam even with the new ecological transition based on hydrogen transformed into fuel, new nuclear power, intensification of solar energy and electric cars that are not energetically autonomous, such as those proposed by the undersigned which would extract cold electrical energy directly from the environment like all land, marine, submarine, aeronautical and space means of transport. It should be clear that the most important invention of the undersigned is the "pump with double separate power supply up to the impeller" because it allows the creation of systems that transmit only the force, without the mass, combustion fumes, and steam, since the compressed air which is the energy source and the water which is the energy carrier, do not leave the system and are recycled endlessly. And since electrical energy is produced cold, it is perfectly compatible with coils of wires painted with insulating paints which also allow for the creation of the Lorenz thrust which is essential for

navigating in the atmosphere, in space and under the sea, without also polluting the atmosphere, space and the sea, after having polluted the Earth with the wrong energies. This invention is one of the most important of all time. But right now it's just the most thwarted invention of all time.

We must find the courage to eliminate all the wrong inventions and manage planet Earth with one government, one currency and all the religions we want, abolish all weapons of destruction and thermal and nuclear inventions. There is space and food for everyone on planet Earth if we learn to better extract energy from the environment without interfering with the normal electrical and electromagnetic functioning invented by the Creator of the Universe which regulates the temperature and climatic conditions of the Earth through a natural capacitor which exchanges positive and negative ions between the ionosphere and the earth's surface without the use of any technology. Terrestrial human electricity, invented by many scientists in the late 1800s and early 1900s, developed good technologies, but was unable to use the same energy sources used by the creator of the universe, which were none other than the same gravity discovered by Galileo Galilei and Newton, ionizable and compressible atmospheric air, and ionizable and incompressible water, without using fuels and nuclear energy. In fact, the Creator of the universe, although he also created nuclear energy, did not use it to air condition the earth. He used atmospheric air pressed by gravity as an energy source and incompressible water, with a density 830 times higher than air, as an energy carrier. The choices made by the Creator of the universe were not random. He wanted to protect living things. It was no coincidence that the undersigned, a simple technical designer and installer of industrial and environmental systems, copied from natural systems a different way of purifying by putting together the water and air cycles in covered systems that do not emit emissions pollutants in external environments, has switched to the production of electricity, always using the same elements

(water and air) pressurized differently in cycles open to atmospheric pressure or closed, with higher pressures in autoclaves, to first extract the primary energy, which it is used to produce the physical force, which creates the driving torque or the linear thrust necessary to move permanent magnets in an electric field which create the extracted induced current which is thus extracted directly from the environment, without fuels, nuclear energy and related costs of raw materials and the complexity of production plants.

Luigi Antonio Pezone