

The SPAWHE system can save Planet Earth from global warming, floods, droughts and fires.

Abstract

I recently launched a “Non-profit” fundraiser to save planet Earth from global warming, floods and droughts. I’m not crazy because I’ve been working on this topic for fifty-five years. Even though for the first thirty-seven years I didn’t know I was working on it. It all started by chance, when I was twenty years old, in 1970, and as soon as I graduated, as a mechanical expert, I was hired by Alfa Romeo and, again by chance, I was assigned to follow live the construction and assembly of all the production departments of the car plant in Pomigliano d’Arco in the province of Naples. In the following years, until 1987, I was in charge of the management and maintenance of the same plants. Again by chance in 1987 Alfa Romeo was bought by Fiat and granted resignations with incentives to those who wanted to change jobs. I loved my job but I was also eager to learn more about the environmental and energy systems under public jurisdiction. I took advantage of the incentive offered to go and work in a small company (ing. Caccavale S.r.l) that operated in Italy and Tunisia in the public sector of purification, water distribution and energy production, where I was responsible for the construction and assembly of mechanical, hydraulic and thermal systems until 2005. I had reached retirement age at fifty-seven and decided to spend the rest of my life inventing new purification and energy systems, combining the scientific organization of industrial work with environmental organization. For me, the results obtained were much higher than expected. But I also did not find interlocutors because public science does not

update at the same speed as industrial science and even the companies that work in these sectors innovate very slowly. This negative phenomenon is worldwide. Therefore all my inventions are still to be tested.

The dilemma between who discovered gravity between Galileo and Newton is well known. I say that it was Galileo but Newton made us understand it better. Who was right between Tesla and Edison on the efficiency between direct and alternating current. I say that Tesla was right, but not for the reason that everyone says that it would be the simplest to transport energy over a distance. It is not necessary to transport electrical energy over a distance, but only to better distribute the world's fresh water and from this, with the help of gravitational force and atmospheric air, through the simple inventions of the undersigned, we can extract from the environment all the energy we need, at all hours of the day and night, in every corner of the Earth, in fixed and mobile plants. Therefore, not only fossil and nuclear energy are wrong but also solar and wind energy. We don't even need electric cars because my hydroelectric car, patented in 2017, would have been completely energy autonomous and would have anticipated, just a few years later, the global linear motors patented, which could also take us into the atmosphere and space without fuels. This means that we are governed globally not by science but by scientific hypocrisy. Because global warming should not have been fought but prevented. And here I return to talk about the article I titled "Sorry for the delay" in which I apologized for being born in 1949, and for having spent sixty-five years inventing the correct way to produce electrical energy without heating the planet which is undoubtedly the hydroelectric system without hydraulic jump, which can be produced in every corner of the Earth, in fixed and mobile versions, with economic and environmental advantages for all humanity.

Description

I strongly believe in the professionalism and perseverance that each person must put into their work. For this reason I often write about my professional training, which is based more on the scientific organization of industrial and environmental work, which rarely coexist in the same person, since on planet Earth, everyone works in watertight compartments, both industrial and artisan companies, including academic scientific faculties, awarded with the most important Nobel prizes in the various scientific branches. Specializations are important to obtain the maximum performance from one's work. While, in my activity as an installer of industrial and environmental anthropic systems, I realized that the Earth's system works well only through the synergies between the various scientific and technological specializations. Therefore, even anthropic design is a specialization, probably the most important, in order to combat and prevent global warming of the planet, but also to realize the real economy. In fact, the Earth's climate is managed by nature, not by men. Before man invented industrial development, it worked perfectly. I, who have been installing industrial and environmental systems all my working lif

e, should have been the first to know, but no one ever taught me. I had to discover it by myself as a pensioner, but only after, for practical reasons, I had patented both the best systems for cleaning fossil energy (which no government or multinational on the planet has created) and the best systems for extracting already clean energy from the Earth's environment (also never created by any government or multinational on Earth). In fact, the system I invented for cleaning fossil energy is an interactive system that simultaneously involves the cycles of water and air polluted by industrial processes in artificial rains indoors on calcareous materials both in large thermal plants and in urban sewage systems and in final purifiers far from cities. As we know, these systems, described in detail on my website <https://www.spawhe.eu>, are part of the patents

filed from 2006 to 2014.

The order is descending, as described in the following article:

<https://www.spawhe.eu/the-spawhe-rhyme-and-the-map-of-the-website/>,

9)

30.11.2014 <http://www.spawhe.eu/the-water-and-energy-revolution-in-eight-global-projects-to-cool-the-planet-create-eating-and-work/>

8)

21.10.2014 <http://www.spawhe.eu/the-perpetual-energetic-motion-is-possible-in-the-fixed-and-mobile-versions/>,

7)

04.07.2014 <http://www.spawhe.eu/capture-cooling-purification-chimneys-ccpc-international-patent-n-patent-wo2014-076724-and-subsequent-invention-air-filtration-and-thermal-exchange-tower-aftet/>

6)

04.07.2014 <https://www.spawhe.eu/vertical-synergic-buildings-vs-b-for-co2-and-water-depuration-plus-biomass-production/>

5)

04.07.2014 <http://www.spawhe.eu/linear-synergistic-system-of-digestion-dehydration-and-composting-ldcc/>

4)

04.07.2014 <http://www.spawhe.eu/global-synergy-plants-for-depuration-biomass-production-and-thermoelectric-cogeneration/>

3)

28.02.

2013 <http://www.spawhe.eu/closing-the-anthropogenic-carbon-cycle/>

2)

28.11.

2007 <http://www.spawhe.eu/phosphor-removal-from-detergents-was>

tewater-and-greywater-recycling-system-for-flushing-toilets/

While patents and articles starting from 2015 talk about global energy and purification development.

99) 14.04.2022

<https://www.spawhe.eu/the-crime-of-omission-of-the-world-public-institutions-in-matters-of-the-environment-energy-and-health-which-favors-multinationals-synthesized-in-the-nursery-rhymes-of-spawhe-eu/>

98) 26.03.2022

<https://www.spawhe.eu/the-politics-of-terror-and-irrational-energy-of-nato-russia-and-china/>

97) 19.02.2022

<https://www.spawhe.eu/from-black-holes-to-the-uncertainty-principle-to-the-scientific-organization-of-work-unknown-by-science-and-by-the-authorities-on-earth/>

96) 27.11.2021

<https://www.spawhe.eu/fundraising-in-defense-of-life-according-to-the-spawhe-model/>

95) 13.11.2021

<https://www.spawhe.eu/the-g20s-and-cop2627-cannot-understand-what-science-has-not-yet-understood/>

94) 01.11.2021

<https://www.spawhe.eu/g20-of-the-year-2021-the-conference-of-who-should-save-the-planet-earth-by-immediately-starting-the-interactive-ecological-transition/>

93) 26.09.2021

<https://www.spawhe.eu/what-world-science-has-not-understood-is-the-difference-between-the-universal-primary-energy-and-the-terrestrial-one/>

92) 14.09.2021

<https://www.spawhe.eu/the-worldwide-misunderstanding-of-perpet>

ual-motion-that-has-affected-terrestrial-development-and-space-research/

91)

29.07.2021 <https://www.spawhe.eu/from-the-earth-beyond-the-moon-colonizing-space-with-compressed-hydroelectromagnetic-energy-unknown-to-terrestrial-science/>

90)

29.07.2021 <https://www.spawhe.eu/interstellar-dust-capture-system-and-space-environmental-plants/>

89)

22.02.

2021 <https://www.spawhe.eu/open-letter-accompanying-the-open-letter-to-the-new-president-of-the-italian-council/>

88)

12.02.

2021 <https://www.spawhe.eu/open-letter-to-the-new-prime-minister-of-the-italian-government-mario-draghi-in-the-field-of-environment-energy-and-public-health/>

87)

01.02.

2021 <https://www.spawhe.eu/open-letter-to-mr-elon-musk-who-promised-100-million-dollars-to-those-who-manage-to-capture-co2-from-the-atmosphere/>

86)

15.01.2021 <http://www.spawhe.eu/how-you-can-live-most-of-the-human-body-a-well-fed-and-well-oxygenated-brain-technological-scientific-system-of-survival-against-disease-disability-and-old-age/>

85)

27.10.

2020 <http://www.spawhe.eu/where-science-does-not-reach-the-scientific-organization-of-work-arrives-if-it-is-applied-globally/>

84)

28.

10.

2020 <http://www.spawhe.eu/the-great-gap-between-the-science-of>

-god-and-that-of-man-that-produced-global-warming-and-covid-19/

83) 23. 09. 2020 <http://www.spawhe.eu/the-greatest-crimes-against-humanity/>

82) 20.09.2020 <http://www.spawhe.eu/what-are-the-world-parliamentarians-for/>, <http://www.spawhe.eu/it/a-che-servono-i-parlamentari-mondiali/>

81) 14.06 2020 <http://www.spawhe.eu/a-small-italian-miracle-of-giuseppe-contes-government/>

80) 17.06.2020 <http://www.spawhe.eu/in-which-virtual-dimension-live-politicians-scientists-and-economists-who-do-not-know-the-terrestrial-reality/>

79) 20.05.2020 <http://www.spawhe.eu/open-letter-to-worldwide-publishers-in-the-time-of-covid-19/>

78) 28.04.2020 <http://www.spawhe.eu/no-unknown-viruses-will-kill-us-if-we-modify-mans-defenses/>

77) 23.04.2020 <http://www.spawhe.eu/covid-19-and-the-world-bag-losses-are-due-to-the-unknown-principle-of-body-impenetrability/>

76) 11.03.2020 <http://www.spawhe.eu/open-letter-to-the-patent-office-and-the-italian-government-in-the-time-of-the-coronavirus/>

75) 28.02.2020 <http://www.spawhe.eu/a-global-stock-company-against-errors-omissions-and-opportunities-wasted-by-science-and->

world-power-centers/

74)

31.01.2020 <http://www.spawhe.eu/flying-and-floating-cars-with-interactive-global-linear-motors-and-thrust-of-newton-and-lorentz/>

73)

31.01.2020 <http://www.spawhe.eu/aerospace-and-submarine-transport-system-with-interactive-primary-and-inductive-linear-motors/>

72)19.12.2019 <http://www.spawhe.eu/against-the-inefficiency-of-the-united-nations-and-governments-even-the-obed-of-widow-may-be-useful-to-protect-the-environment/>

71)

16.09.2019 <http://www.spawhe.eu/environmental-projects-and-replies-of-a-false-general-secretary-of-the-un/>

70)

3.09.2019 <http://www.spawhe.eu/the-global-warming-has-been-produced-legally/>

69)

30.05.2019 <http://www.spawhe.eu/the-interactive-energy-that-the-current-generations-do-not-understand-are-the-best-resource-of-future-generation/>

68)

15.04.2019 <http://www.spawhe.eu/the-omission-crime-is-the-daily-bread-of-sciences-bureaucrats-and-world-governments/>

67)

11.03.2019 <http://www.spawhe.eu/hydroelectric-greenhouses-for-the-purification-of-fumes-co2-and-water-with-natural-alkalinisation/>

66)

25.01.2019 <http://www.spawhe.eu/cop24-the-replies-that-miss-to>

-greta-thunberg-yellow-gilets-poor-countries-and-sustainable-inventions/

65)

10.12.2018 <http://www.spawhe.eu/someone-in-the-world-should-prohibit-the-incomplete-inventions-of-science/>

64)

30.08.2018 <http://www.spawhe.eu/development-and-the-environment-penalized-by-science-and-international-laws/>

63)

18.08.2018 <http://www.spawhe.eu/who-govern-the-world-the-sovereign-states-or-the-world-bag/>,

62)

11.06.2018 <http://www.spawhe.eu/the-world-public-debt-fraud/>

61)

31.05.2018 <http://www.spawhe.eu/artificial-heart-oxygenator-of-blood-energetically-autonomous/>

60)

30.05.2018 <http://www.spawhe.eu/sustainable-environmental-design-is-a-social-duty-of-world-institutions-mini-domestic-water-purification-system-with-hydroelectric-energy-production/>

59)

30.05.2018 <http://www.spawhe.eu/the-european-social-innovation-competition-lottery/>

58)

02.04.2018 <http://www.spawhe.eu/the-world-needs-political-scientists-and-judges-more-close-to-people-and-environment/>

57)

04.03.2018 <http://www.spawhe.eu/pct-it2016-000202-open-letter-to-w-i-p-o-and-the-international-legal-offices/>

56)

01.03.2018 <http://www.spawhe.eu/we-integrate-the-principles-of-energy-conservation-to-correct-the-serious-errors-of-science/>

55)

19.02.2018 <http://www.spawhe.eu/the-lost-civilizations-einsteins-thought-and-survival-energy/>

54)

29.12.2017 <http://www.spawhe.eu/compressed-air-is-much-more-powerful-practice-and-economic-of-hydrogen/>

53)

07.12.2017 <http://www.spawhe.eu/after-the-failure-of-cop23-it-is-needful-to-realize-prototypes-of-interactive-energy-before-cop24/>

52)

30.11.2017 <http://www.spawhe.eu/cop23-the-unthinkable-has-already-been-thought-with-interactive-energy/>

51)

10.11.2017 <http://www.spawhe.eu/cop-23-the-mysteries-of-the-interactive-energy-and-depurations-hided-by-the-institutions/>

50)

31.10.2017 <http://www.spawhe.eu/the-force-of-rational-scientific-global-reasoning-made-instant-by-instant/>

49)

30.10.2017 <http://www.spawhe.eu/a-new-development-model-with-interactive-energy-and-rich-floating-camps-built-in-oceans-with-petroleum-derivates/>

48)

30.09.2017 <http://www.spawhe.eu/the-world-revolution-of-transportation-unwanted-by-manufacturers-by-science-by-the-governments-and-others/>

47)

30.09.2017 <http://www.spawhe.eu/archimedes-was-wrong-but-the-s>

science-has-never-correct-him/, <http://www.spawhe.eu/archimedes-was-wrong-but-the-science-has-never-correct-him/>

46)

04.09.2017 <http://www.spawhe.eu/the-interactive-energy-inexhaustible-and-protective-of-the-environment-unwanted-by-science-and-governments/>

45)

20.08.2017 <http://www.spawhe.eu/if-science-was-been-globally-applied-current-energies-and-depurations-would-not-have-a-future/>

44)

04.08.2017 <http://www.spawhe.eu/learn-to-extract-better-energy-from-the-environment/>

43)

31.07.2017 <http://www.spawhe.eu/aerospatial-pressurized-hydroelectric-transport-system-with-turbofan-and-compressed-air-injection/>

42) 13.02.2017 <http://www.spawhe.eu/the-hoax-of-the-fight-against-global-warming/>

41)

13.02.2017 <http://www.spawhe.eu/defend-the-environment-and-territory-from-floods-by-producing-energy/>,

40)

10.02.2017 <http://www.spawhe.eu/the-fossil-energy-that-pollutes-costs-more-of-clean-energy/>

39)

14.01.2017 <http://www.spawhe.eu/hydroelectric-power-auto-with-peripheral-torque-to-the-wheels/>

38)

04.01.2017 <http://www.spawhe.eu/fighting-global-warming-extending-the-borders-of-perpetual-motion/>

37)

15.12.2016 <http://www.spawhe.eu/pressurized-domestic-hydraulic-system-producer-of-hydroelectric-energy/>

36)

25.11.2016 <http://www.spawhe.eu/cop22-failed-international-crime-of-states-not-punished-when-the-collapse-of-worldwide-economy/>

35)

15.11.2016 <http://www.spawhe.eu/marrakech-2016-is-there-a-conspiracy-or-is-only-scientific-technological-political-legislative-incompetence-which-increases-the-co2-in-the-environment/>

34)

11.11.2016 <http://www.spawhe.eu/pressurised-submerged-hydroelectric-plants-in-wells-with-lifting-and-oxigenation/>

33)

10.11.2016 <http://www.spawhe.eu/pressurised-submerged-hydroelectric-plants-in-basins-with-lifting-and-oxygenation/>

32)

31.08.2016 <http://www.spawhe.eu/pumps-and-turbines-with-separated-double-supply-until-to-the-impeller/>

31)

22.07.2016 <http://www.spawhe.eu/relativity-and-technology-in-the-new-hydroelectric-energy/>

30)

11.07.2016 <http://www.spawhe.eu/the-sustainable-future-of-environment-energy-food-and-labour-is-based-on-the-new-hydrology/>

29)

30.06.2016 <http://www.spawhe.eu/autoclave-system-for-water-pumping-hydroelectric-energy-producer/>

28)

10.06.2016 <http://www.spawhe.eu/floating-system-with-extruded-polyethylene-pipes-ribbed-reinforced-and-filled-with-polystyrene/>

27)

10.06.2016 <http://www.spawhe.eu/floating-system-hydroelectric-desalter-extractor-of-calcium-and-carbon-from-marine-deep-water/>

26)

10.06.2016 <http://www.spawhe.eu/vertical-desalinators-demineralizers-by-ion-exchange-with-hydroelectric-energy-production/>

25)

15.

04.2016 <http://www.spawhe.eu/where-is-the-science-and-where-hope/>

24)

10.06.2016 <http://www.spawhe.eu/open-letter-to-mr-bill-gates-on-energy-miracle/>

23)

09.12.2015 <http://www.spawhe.eu/the-future-of-energy-is-hydroelectric-but-not-the-present-hydro-power/>

22)

05.12.2015 <http://www.spawhe.eu/the-causes-of-the-failure-of-the-world-summit-in-paris/>

21)

30.11.2015 <http://www.spawhe.eu/the-water-and-energy-revolution-in-eight-global-projects-to-cool-the-planet-create-eating-and-work-2/>

20)

16.11.2015 <http://www.spawhe.eu/from-efficient-purification-to-sustainable-energy/>

19)

31.10.2015 <http://www.spawhe.eu/the-probable-reasons-for-the-l>

ack-protection-of-the-environment/

18)

16.10.2015 <http://www.spawhe.eu/global-synergy-plants-for-depuration-biomass-production-and-thermoelectric-cogeneration-gspdptc/>

17)

10.09.2015 <http://www.spawhe.eu/hydropower-plants-with-lifting-recycling-and-water-distribution/>

16)

22.06.2015 <http://www.spawhe.eu/open-letter-to-italian-patent-office-and-to-the-minister-of-economic-development/>

15)

06.2015 <http://www.spawhe.eu/also-churches-and-associations-should-learn-to-design/> **15.**

14)

11.06.2015 <http://www.spawhe.eu/energy-right-at-the-right-time-in-the-right-place-2/>

13)

03.06.2015 <http://www.spawhe.eu/second-open-letter-to-the-european-commission/>

12)

10.05.2015 <http://www.spawhe.eu/appeal-for-spawhe-on-the-occasion-of-expo-2015/>

11)

05.04.2015 <http://www.spawhe.eu/last-appeal-for-spawhe-before-the-expiration-of-international-patents/>

10)

16.12.2014 <http://www.spawhe.eu/it/lettera-aperta-ai-progettisti-e-imprenditori-italiani/>

Only after filing all the patents, in 2022, did I start

talking in my articles about the publications of other important climatology researchers who in the previous century had studied climate phenomena and denounced the problems, but had not proposed inventions, as the undersigned did, despite being at that time, almost ignorant of climatology. This means that the Spawhe system that closes all the cycles it opens in anthropic plants is universal and automatically leads to the global update of the world state of the art in all sectors of terrestrial climate and energy activities. The concept of energy saving on planet earth is completely wrong, since if we extract energy coldly from the terrestrial environment it costs nothing (apart from the wear and tear of the machines). The more we produce, the more we purify the environment using the Spawhe system. But science and the world ruling class continue to pretend not to understand this system, continuing to waste resources, to heat the planet and to destroy it with floods, droughts and fires. From which we cannot defend ourselves precisely because the technologies we have developed are not energy autonomous, are not efficient and, above all, fail in the face of great natural disasters and the stupid wars of men in power.

With the Spawhe system, virtually, I also went into space without fuels and nuclear energy. While on Earth we are destroying the environment and we cannot feed people. We need to go into detail about all the energy and purification solutions and update the state of the art daily and practically. Politics, philosophy, ideologies are important, but true progress can only be achieved with honest and selfless work for personal wealth. Today the most important inventions are hidden because they do not allow parasitic income on raw materials such as fuels, and minerals that we can do without, extracting clean cold energy directly from the environment at all hours of the day and night and at all latitudes and longitudes of the planet. Because water, air and gravitational force are the essential raw materials that can be recycled infinitely. The rest is technology that, developed

cold, is almost as recyclable infinitely.

The most recent articles, after 2022, speak, above all, of the hypocrisy of the world's ruling class that prevents correct scientific and technological development for obscure power games that they themselves cannot control because nature itself is rebelling in the face of senseless scientific and technological choices that continue not to exploit the natural cold scientific principles of the Earth, just to continue producing heat with new generation fuels, which even if they do not produce CO₂, however, have an economic cost, are consumed and produce steam that is even worse than CO₂ for the purposes of global warming. They do not even solve the transport of electrical energy, which also interferes, like steam, with the natural ion exchange between the Earth's surface and the ionosphere. It seems that terrestrial science, rather than inventing social inventions useful to humanity, works to create a humanity subservient to men of power and multinationals. Inventors who are outside this system cannot demonstrate the usefulness of their inventions, not finding public and private funding. I have noticed that scientific and technological inventions cannot even be financed by the "Non-profit" because it is excluded a priori that an inventor can think of a global purifying energy system on his own. No one takes the trouble to read hundreds of articles linked together like a spider web. But the spider web was not invented by me, it already exists, invented by nature. I have supported it by developing my solutions. While the multinationals have only looked at increasing production capacity and public inventors, instead of doing research work and multiplying the projective capacity of the environment in function of increasing industrial productivity, have taken advantage of the patent trade to produce and sell patents that supported inventions, with all their defects. Today only the SPAWHE system that has not been funded by governments or multinationals is the only one that seriously addresses the problem of global warming, not allowing excesses of steam, CO₂, electrostatic currents

due to the transport of energy in high voltage on pylons. In other words, the Spawhe development model aims to bring the current environmental climate back to the model existing on planet Earth at the end of the nineteenth century, when the first hydroelectric plant with the hydraulic jump was built, which could have opened the minds of the great scientists of that time who could have identified my interactive inventions since then. Saving us from the entire global warming.

123) 22.10.2024

<https://www.spawhe.eu/gods-self-purifying-and-self-energetic-science-is-against-the-science-of-governments-and-multinationals-that-have-produced-global-warming/>

122) 05.10. 2024

<https://www.spawhe.eu/the-difference-between-the-energy-of-the-universe-and-that-of-planet-earth/>

121) 16.09.2024

<https://www.spawhe.eu/third-open-letter-to-un-secretary-general-antonio-guterres-on-the-occasion-of-the-upcoming-future-summit/>

120) 09.09.2024

<https://www.spawhe.eu/lets-re-evaluate-the-intellectual-property-of-spawns-inventions-to-stop-global-warming/>

119) 28. 07. 2024

<https://www.spawhe.eu/global-environmental-and-energy-fundraising-must-be-called-spawhe/>

118) 03.07.2024

<https://www.spawhe.eu/sorry-for-the-delay-for-the-hopefully-definitive-clarification-of-some-aspects-of-terrestrial-energy>

117) 28.06.2024

<https://www.spawhe.eu/the-future-of-terrestrial-common-sense-is-called-submerged-compressed-and-reinforced-hydroelectric-energy-without-the-hydraulic-jump/;>

116) **20.06.2024**

<https://www.spawhe.eu/the-causes-the-culprits-and-spawhes-solution-against-global-warming-second-open-letter-to-the-real-un-secretary-antonio-guterres/>

115) **26.05.2024**

<https://www.spawhe.eu/the-possible-and-scientific-neutralization-of-global-warming-with-the-energy-and-purification-cycle-of-water/>

114) **20.04.2024**

<https://www.spawhe.eu/lets-talk-scientifically-about-the-italian-disaster-of-the-bargi-hydroelectric-power-plant/>

113) **15.02.2024**

<https://www.spawhe.eu/it/lets-talk-about-the-scientific-reasons-for-the-protests-of-european-farmers-that-science-and-governments-hide/>

112) **07.01.2024**

<https://www.spawhe.eu/it/lettera-aperta-a-sir-leonard-valentinovich-blavatnik-per-conoscenza-a-mr-bill-gates-e-mr-elon-musk-in-materia-di-ambiente-ed-energia/>

111) 19.12.2023

<https://www.spawhe.eu/cop-28-science-has-not-understood-that-planet-earth-could-be-energetically-autonomous-without-fossil-fuels-and-nucleated-energy/>

110) **26.11.2023**

<https://www.spawhe.eu/cop-28-the-usual-conference-of-global-scientific-hypocrisy-like-the-twenty-seven-previous-cops/>

109) **03.11.2023**

<https://www.spawhe.eu/from-the-theory-of-general-relativity-to-the-general-artificial-terrestrial-interactivity-unwanted-by-governments-and-multinationals/>

108) **03.09.2023**

<https://www.spawhe.eu/world-governments-that-reject-the-extraction-of-clean-energy-from-the-environment-reject-a-perennial-scientific-windfall-from-the-sky/>

107) 21.06.2023

<https://www.spawhe.eu/the-scientifically-disorganized-work-of-public-bodies-and-multinationals-of-planet-earth/>

106) 24.05.2023

<https://www.spawhe.eu/parliamo-delle-responsabilita-delle-alluvioni-e-di-altre-responsabilita-ancora-piu-gravi/>

105) 12.05.2023

<https://www.spawhe.eu/flying-containers-for-rescuing-migrants-and-extinguishing-fires-without-using-fuel/>

104) 25.01.2023,

<https://www.spawhe.eu/science-and-politics-do-not-know-terrestrial-physics-and-the-scientific-organization-of-work/>

103) 05.11.2022

<https://www.spawhe.eu/cop-27-open-letter-to-deputies-senators-world-information-bodies-on-the-subject-of-the-environment-and-energy/>

102) 10.10.2022

<https://www.spawhe.eu/open-letter-to-the-new-italian-prime-minister-giorgia-meloni-on-the-subject-of-environment-and-energy/>

101) 28.08.2022

<https://www.spawhe.eu/year-2022-record-of-heat-drought-storms-indomitable-fires-economic-inflation/>

100) 10.05.2022

<https://www.spawhe.eu/year-2022-the-war-in-ukraine-was-added-to-covid-19-to-the-inexistence-of-interactive-physical-defenses-suitable-for-the-environment-and-the-human-body/>

As can be seen in the most recent articles, the ion exchange between the Earth's surface and the ionosphere has been

profoundly altered by the entire industrial development, but world public science has denounced the problems without proposing solutions, while the undersigned has proposed the solutions and only later found scientific confirmation that the system created by the Creator of the universe likes that terrestrial energy is produced cold, as the undersigned has always proposed. However, even today the entire science is silent on my solutions.

However, the natural ion exchange between the Earth and the universe is not perfect because the Earth's surface and the ionosphere behave like the plates of a capacitor and the atmospheric air like the dielectric. Before the advent of industry, the degree of imperfection of the dielectric was under control regulated by nature itself.

With the inventions produced by men since the beginning of the industrial era: thermal, nuclear, solar, wind and the same transport of high voltage electricity on overhead pylons that interferes heavily with the natural terrestrial ion exchange. Despite this awareness, even today in 2024, I have not found public or private financiers to realize inventions of submerged and compressed hydroelectric proposed in 2014-2015.

Faced with the silence of the world authorities and official science, I could do nothing but turn, with little hope, to the world population. **But I am open to collaborating with repentant billionaires.**

No one can continue to snub my inventions just because I did not have the money to pay the maintenance fees for the patents that were granted to me, nor to legally oppose those that were not granted to me. What would have been the point? If the current ruling class did not finance the patents that were granted to me on the cleanliness of fossil fuels, up to the pump with the double separate supply to the impeller and the

hydroelectric car, it certainly would not have financed the other even more futuristic inventions such as the artificial heart and global linear motors that could also take us into space. Fortunately, at seventy-five, I still feel I have the energy to begin the fourth phase of my life, that of the entrepreneur, if the capital arrives. He who does it himself, does it for three. In my case for four. And if I could also experiment with my artificial heart, which does not alter DNA, I would propose myself as a guinea pig, to also live the fifth phase. Life is a gift from God and must be lived to the fullest to create well-being, without altering the terrestrial environment that hosts us. None of my inventions interfere with the environment, natural biological life and above all, the ionic exchange between the ionosphere and the terrestrial surface, which is the delicate system, developed by the Creator of the universe in 4.5 billion years to control the terrestrial climate. A century and a half of industrial development was enough to alter such an immense masterpiece, from improvised anthropic inventions that have not selected what is compatible and what is not compatible, with the terrestrial environment. As a modest technician installing industrial and environmental anthropogenic plants, I have participated for 37 years in the construction of these plants and the following 20 years in trying to change them, even losing money to legally register alternative patents, having to deal with a ruling class and the same workers, who do not understand how plants are designed globally. It is not only science and technology. It is above all, scientific organization of work, so that the natural functioning of the Earth's environment is not disturbed by human anthropogenic plants. In other words, we must not give up progress, but we must do so respecting the environmental rules established by Earth's nature, which, if we think, are also the rules of correct rational economic development. It makes no sense to waste resources to produce heat from which to obtain energy, when we can obtain cold energy from the Earth's environment. This is against the rules of common sense, not only of

economics. Yet, the majority of anthropogenic plants are wrong, not only the thermal ones which then also involve the costs of cooling and fume purification. There is no point in transporting energy if we can produce energy on site when we need it. Whoever created the universe and the Earth overestimated the design capabilities of human-made plants, which all used solutions that ignored the incredible characteristics of water, air and gravitational force. Unfortunately, I only understood these things as a pensioner, but after I had already proposed the correct solutions that I had independently intuited based on experience. So there are many crazy people who created global warming on the planet and many of them also have degrees in scientific disciplines. For these reasons I want to highlight my troubled path as an inventor misunderstood by science and institutions.

In 2006, as soon as I retired, I immediately started filing the first patents, based on the scientific organization of work in the environmental sector, which still does not exist, starting from domestic water saving, the prevention of the formation of phosphorous hydrogen in the sewers, the modification of the chimneys so that they captured the CO₂ that should have been neutralized in the sewers by means of artificial rain on calcareous materials and sewer sedimentators with surface oxidation of the water that should have anticipated the aerobic purification treatment in the sewers of water, air and fumes together with interactive cycles. These systems, being conceptually new, involved high energy costs for the circulation of water and air but would have made the urban atmospheric air more breathable and would have allowed great energy savings in the final purifiers, which are still forced to purify septic water, damaged by the sewer systems.

After this long preparatory work, finally in 2014 -2015, I found the rational way to produce electricity and purification at low cost with a single interactive system which is

precisely the compressed hydroelectric system that also allows the purification of water in fixed anthropogenic plants. In fact, these plants, closed pressurized, in order to produce energy, must be opened at the exit of the hydraulic turbine to be able to discharge the residual hydraulic pressure. If in this phase we replace the clean water that produced the electricity, with dirty water to be purified by inserting it into the pressurized recycling circuit by means of the pump with the double separate supply up to the impeller, the system also becomes purifying, as well as energetic. This turning point of 2015 should have been welcomed with enthusiasm by the entire world ruling class, instead, we are in the year 2024, and the entire world science has not yet noticed this potential, even though I have also developed the patent for the hydroelectric car, with an artificial heart oxygenating the blood energetically autonomous, of global linear motors that could add together the thrust of Newton and Lorentz. Which on planet Earth can only be added coldly, at least with the technologies known to man.

Here is the link:

https://www.gofundme.com/f/spawhe-synergic-plants-artificial-welling-hydroelectrenergy?attribution_id=sl:195f103e-08a5-43cd-a1bd-dfa1309935a2&utm_campaign=man_sharesheet_dash&utm_medium=customer&utm_source=print_poster

Hello, my name is Luigi Antonio Pezone. I am a retired former designer and installer of industrial and environmental anthropogenic plants. I am very concerned about the survival of planet Earth and all living beings that live on it. I retired in 2006 to develop new environmental and energy solutions without employers' conditioning that I have collected on my website <https://www.spawhe.eu>. Do not be surprised by the sum requested, apparently high. The problems to be faced are very serious. I only want to demonstrate with the help of other technicians and specialized companies that

my solutions patented in forty patents and illustrated in about 120 technical articles, at the current state of the art are the only ones that can stop, not only global warming but also the unfair distribution of world wealth. The two phenomena are connected, which is why my solutions have not found financiers from the current world ruling class. Only by making demonstrative prototypes democratically can skeptics be convinced.

2024 will almost certainly be the hottest year on planet Earth, breaking the record set just last year, and 2025 will be even hotter, confirming that humanity has slipped into a funnel from which there is no way out unless global energy policy changes immediately and radically. It is ridiculous that these things have to be written by an ordinary pensioner while great science only denounces and keeps silent on the only solution still possible, which is hydroelectric without the hydraulic jump.

While I was writing this article (the night between October 29th and 30th), the disaster in Valencia, Spain, occurred, with at least 200 deaths and thousands of displaced people. In a few hours, the rain that falls in a year came down, taking away cars and devastating homes. This flood comes a few days after the (less serious) ones that hit half of Italy. We know the reason: the Mediterranean is heating up at an impressive speed and is unloading violent storms and floods on our countries, due to the excess of steam in the atmosphere, which does not only depend on the way we produce energy but also on the warming of the oceans. The phenomena are connected. If we do not immediately begin to produce cold terrestrial electrical energy and do not experiment and realize all the fixed and mobile Spawhe inventions, starting from the only rational system that is hydroelectric without the hydraulic jump that can be realized in fixed and mobile plants, even in aeronautical, submarine and space ones, the terrestrial people will never emerge from these disasters, precisely because the

entire world science has been involved since the beginning of the industrial era. For this region I wrote an article with the title "sorry for the delay" even if I am only a pensioner. It should have been the United Nations organization to do my job. Instead, it asked me to pay taxes on patent filings, without realizing that I was working for free on problems of public social utility, which should have been addressed by world public science, which sells its commercial patents to multinationals. The following images show the immense amount of steam present in the sky above Valencia the day before the flood and an area of □□the city affected by the flood.

It is impossible not to connect the two phenomena in sequence and reach the logical conclusion that the correct way to produce terrestrial energy is the cold one that produces neither steam nor CO₂ which are two greenhouse gases.

IL CIELO SOPRA VALENCIA UN GIORNO PRIMA DELLA TEMPESTA





A week later there were elections in the most powerful nation on Earth that brought Republican Trump back to power instead of the Democrats. There are no substantial differences between conservative and progressive governments on the environment and energy issues worldwide. It is said that things will get worse for the climate because Trump will renege on the Paris Agreement of October 5, 2016. But what the Paris Agreement has actually achieved so far no one says. The Paris Agreement aims to limit global warming and combat climate change. Clearly, as far as the climate is concerned we were better off in 2016 than in 2024. Certainly none of the fifty-six countries that signed the agreement took into consideration my inventions that I began to develop and publish in 2006.

Why have science and technology, although advanced, created global warming?

Unfortunately, the answer to this question is simple and elementary and can be condensed into one word: SPAWHE. Which summarizes what the world's ruling class has not done: Synergic Plants, Artificial Welling, Hydroelectric Energy. Advanced science and technology have not created:

1. Synergies between anthropic plants, which still exploit single scientific principles and technologies.
2. They have not extracted from the sea the immense food production that could be extracted with artificial welling, as natural welling occurs only on the planet's coastlines, which represent 5% of the ocean surface.
3. They have not exploited the immense production capacity of hydroelectric energy, which does not need a hydraulic jump to be produced in both fixed and mobile plants.

Science is to blame for global warming because it goes against its own energetic principles. The principle of inertia says that in empty space a body remains in its state of inertia or motion until an external cause causes it to change. On planet Earth things are a little different because of the gravitational force, since bodies, being attracted by the gravitational force towards the center of the earth, can produce or consume energy according to the direction of motion. This also applies to liquids. Therefore, to produce electrical energy within a hydraulic basin, it is necessary to first overcome the state of inertia by means of a centrifugal pump and then exploit the kinetic energy produced in the direction of the gravitational force to produce electrical energy through a turbine. Consequently, we need an electric motor to turn the pump and a generator connected to the turbine to produce electrical energy. You don't have to be a scientist to understand that the energy produced by the current generator is much higher than the energy consumed by the engine, because the energy flow is open, one-way, and uses both the hydrostatic head and the gravitational force. Earth science has never done this reasoning, having preferred to exploit the hydraulic jump that allows the production of free electrical energy.

If, instead, science had made my reasoning, not now, but at the beginning of the industrial era, it would have realized

that it is very convenient to put a pump and a turbine in series, since, since the energy produced by the generator is higher than the electrical energy consumed by the pump, we would have had the advantage of not wasting water and producing energy all year round. This system that I called submerged hydroelectric, I patented it in Italy in 2014 and in 2015 I perfected it to be able to increase the amount of energy produced, increasing the hydrostatic pressure by means of an autoclave pressurized with compressed air and to allow the production of hydroelectric energy even in very small systems with little water, such as wells, domestic systems, mobile systems, such as generators, means of transport. Furthermore, having realized that recycled water is enriched with oxygen, I also used the energy system as a purifier in domestic sewage systems and I also patented an artificial heart that oxygenates human blood and is energy autonomous. All this, while official Tesseste science has not noticed anything and, consequently, neither have politicians and entrepreneurs. Who, strong in this official scientific silence, have continued to pollute. While, legislators, national and international judges, the United Nations and the World Bank, have continued to finance systems that are wrong from an environmental, energy and economic point of view, which are increasing the damage caused to the environment day after day, since the advent of the industrial era.

The SPAWHE self-purifying and self-energy cold system, conceived by the undersigned in a life of work between industry, environment and retirement, which would have prevented global warming, is struggling to take off not because of the high costs necessary to redesign the world's anthropogenic plants, but because of the modest collection of funds necessary to create the demonstrative prototypes of how to purify and produce energy rationally with the raw materials consisting of water, air and gravitational force, which would also be made available free of charge by the Creator of the universe.

The Spawhe City that I would like to create is a kind of Disneyland, with educational functions on the self-purifying and self-energy system mentioned above, unwanted both by science and by the powerful of the Earth, who are accomplices, not only of climate change but also of the wars existing on the entire planet. Mostly started to appropriate energy sources.

The first hydroelectric power plant was built in 1882 in the United States near Niagara Falls. On March 27, 1899, an experiment by Guglielmo Marconi for the first time put England and France in communication, without having to resort to submarine cables, wires and telegraph poles. Marconi's invention paved the way for other inventions such as radio, television, and the Internet. While hydroelectric energy, from a conceptual point of view, did not grow until 2014 – 2015, when the undersigned invented submerged and compressed hydroelectric power that does not need a hydraulic jump. Therefore, planet Earth in 2024 is 142 years late compared to 1882, as the hydraulic jump cannot be considered an invention. Mills that ground grain with a hydraulic jump had already existed for centuries.

All in all, my inventions are the simplest and most linear, based on simple physical principles, exclusively terrestrial. Yet, terrestrial science and the public and private ruling class pretend not to understand them, so as not to admit that it has created global warming, weapons of destruction, the unequal distribution of world wealth, while there would be food and well-being for everyone, even with a population tens of times greater than the current one, since terrestrial energy is cold-extracted, self-purifying and self-energetic. Most of the food could be extracted from the sea, with artificial Welling. The human life of elderly people, like myself, could be extended by hundreds of years with my artificial heart, an energy-autonomous blood oxygenator, preserving human DNA. Obviously, eliminating the organs of the

digestive system, enhancing the function of the brain and those of the joints with artificial mechanical organs, cybernetics and robotics. But we are at year zero of all this because current science has not funded even one of my inventions and wants to continue to go into space with fuels and nuclear energy that, due to the heat developed, will never allow us to add together the thrust of Newton and Lorentz, which can only be added coldly, as I have written in a hundred articles published on <https://WWW.SPAWHE.eu>, which is nothing more than the website of a pensioner. Who, at the moment, has collected zero euros from the powerful of the Earth and the same amount from the poor, who are waiting for manna from heaven, instead of inventing more rational and sustainable inventions on their own.

Today, faced with the failure of the old nuclear energy, and all the old and new generation thermal energies. The science that produced global warming wants to feed us a new nuclear and new generation fuels, which would not produce CO₂, keeping quiet about the fact that they produce steam that is even more harmful for the purposes of global warming. The increase in steam in the atmosphere produces an increase in rainfall and the water that contains the steam, which is 830 times denser than atmospheric air, increases the kinetic energy of hurricanes and typhoons. Today the SPAWHE system is the only one that can simultaneously save the planet's climate and the economy, gradually correcting all the wrong, fixed and mobile, anthropogenic plants. The current global problem is due to the fact that no one wants to pay for the damages that global warming has produced, which was created by scientific, political and entrepreneurial errors. If these errors are not recognized, the damages continue to grow, along with unemployment. Meanwhile, the world's banks, which are full of money and precious metals, see the value of money devalued.

Automotive companies with internal combustion engines are laying off workers to produce electric cars that are not the

right solution, having to be recharged with energy from power plants, which are mainly fossil fuels, hydroelectric with hydraulic jump, solar and wind. Which are all obsolete from a scientific, technological and economic point of view, compared to compressed hydroelectric energy that could replace them all at the same time for scientific, technological, economic, practical and environmental reasons, also solving the problem of other world transports, as battery-powered cars are only a palliative. It is not possible to think of battery-powered agricultural tractors. Buses have already proven to be a failure, being the system expensive, impractical due to the poor autonomy, and in addition, they catch fire easily. It seems to me that the current world ruling class is the most incompetent of all time.

I say that it is fortunate for the world economy that the SPAWHE system was developed in general silence, while the NATO countries and those on the opposing front copied each other to produce new types of fuels, electric cars and solar panels, which are worth very little compared to the clean energy that can be extracted directly from the environment. Only energy extracted cold from the Earth's environment can stop global warming and begin the recovery of the environment and the world economy, starting with everyone on equal terms without devaluing money and without firing workers. The money can be invested differently, gradually, by those who first recognize the errors and immediately begin to extract clean energy from the environment without any monopoly, patents because the inventor of the system is a simple pensioner who has never paid the maintenance fees for the patents that were granted to him and has never filed legal appeals against the patents that were not granted to him, with the ridiculous accusation of wanting to create "perpetual motion". Water, air and gravitational force belong to everyone. Intellectual property of inventions is not a monopoly like the industrial one, but a pleasant reading of hope for a better world.

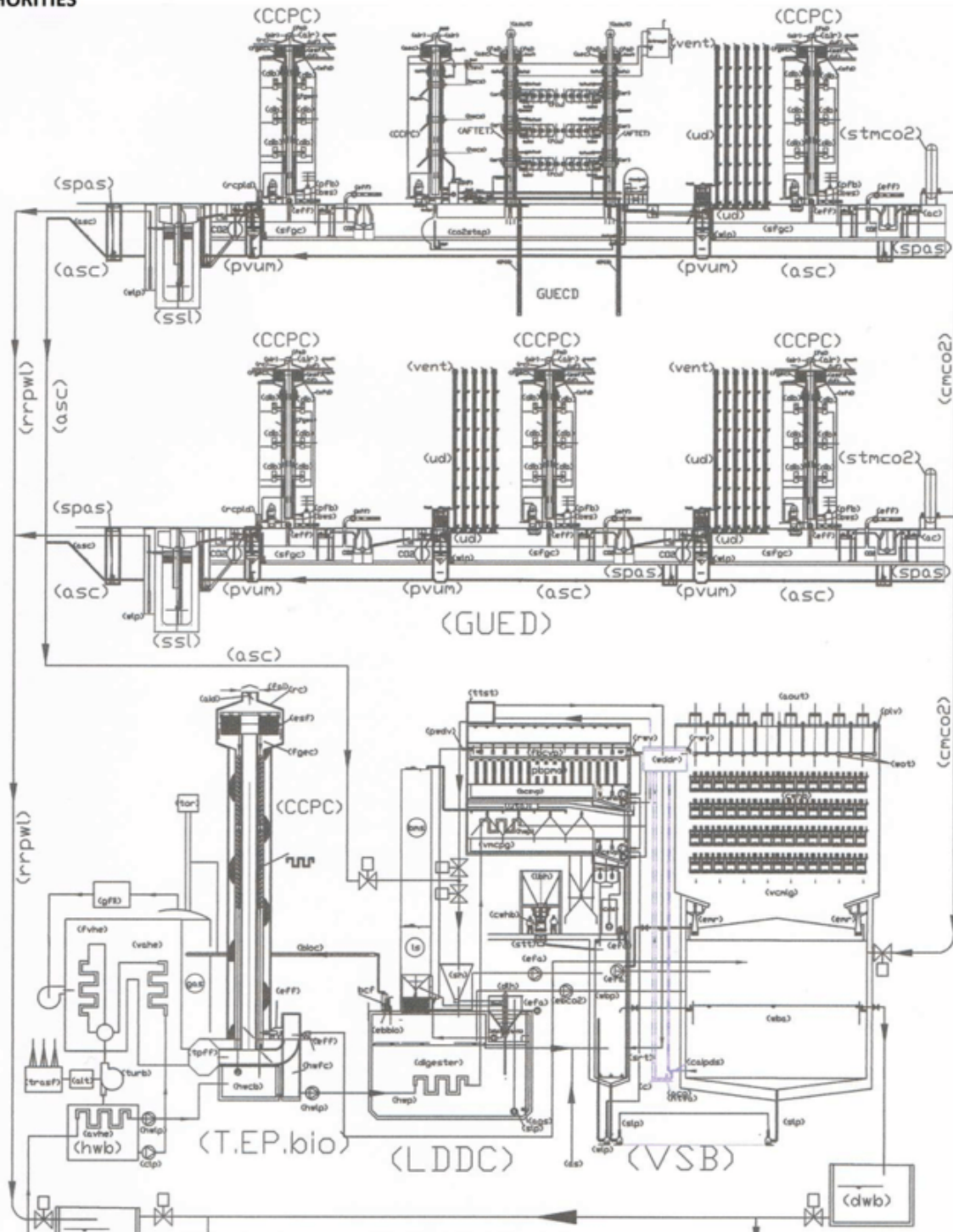
Today, strangely, the United Nations and governments do not recognize intellectual property to inventors but only to writers of fictional works. I say that inventors have failed in their task precisely because they are managed by political and economic power through maintenance filing fees and funding that does not arrive if the inventions are unwelcome to governments and the United Nations. Strangely, only the inventions of SPAWHE are global and interactive inventions, while those of multinationals, which copy each other, resemble each other trying to surpass each other only in technology. Non-interactive technology does more harm than good.

Globality and interactivity are essential characteristics if we want to produce inventions that can also take us into space. We know, above all, that the universe is infinite. The extinction of life on Earth would occur without interfering with the functioning of the solar system to which it belongs, which in turn, is a small element of the galaxy called the Milky Way that contains over 100 billion stars is 100,000 light years wide and represents only a small "corner of the Universe". These immense dimensions should make us reflect on the immense ignorance of small men who fight for power games on the tiny and infinitesimal planet Earth, which is a grain of dust, compared to the universe. It is not even imaginable the intellectual greatness of those who created the universe, who from time to time, communicates to a few elected scientists, who concentrate more than others on research, tiny scientific truths that should be made available to everyone. Not monopolized for personal enrichment, or for specific groups of people or nations. This is what I think even if I am not a great scientist but a simple citizen who has loved his work and tried to understand it better, especially as a pensioner, not pressured by the need to bring home a salary for survival. Being a free man opens infinite space to human creativity. The great artists who do wonderful things could not do them if they were not free men. I who have never had artistic ability, but practical, thank God that in the last

part of my life he allowed me to express myself as a free man from a practical point of view. With all due respect for works of art, global warming cannot be overcome with works of art, but with practical, coherent and global inventions that only a technician free from vested interests can put together.

In this article and in other previous articles I have wanted to underline my strange professional path from large industry to small company installing different anthropic systems, especially in subcontracts, which almost no one would have done, to have a greater guarantee of keeping their job. But I followed my instinct and probably, I was guided by a kind of professional vocation to make these choices against the current towards the current centers of world power. As I wrote in the previous article, when as a pensioner, I began to be an inventor I believed more in the science of men than in that of God. Today I believe more in that of God because, I realized that my inventions have done nothing but increase the speed of natural processes already existing in nature. In essence, I have done nothing more than apply the scientific organization of industrial work learned in the automobile industry to natural energy and environmental work based on fluid dynamics and terrestrial electromagnetism, which already exists in nature by means of gravity, universal electromagnetism and the ionic exchange between the Earth's surface and the ionosphere. I have only had to accommodate these already existing forces. I have had to use existing human inventions to increase the operating speeds and pressures at the temperatures of the terrestrial environment to extract from the environment all the energy that planet Earth needs without ever using heat and the energy sources that produce it, except in exceptional cases, such as the production of steel and the incineration of waste. These thermal needs, however, must be met using the inventions that I developed before inventing submerged and compressed hydroelectric energy, which are modified chimneys, limestone greenhouses and artificial rain. **The following figures are extracted from the undersigned's previous**

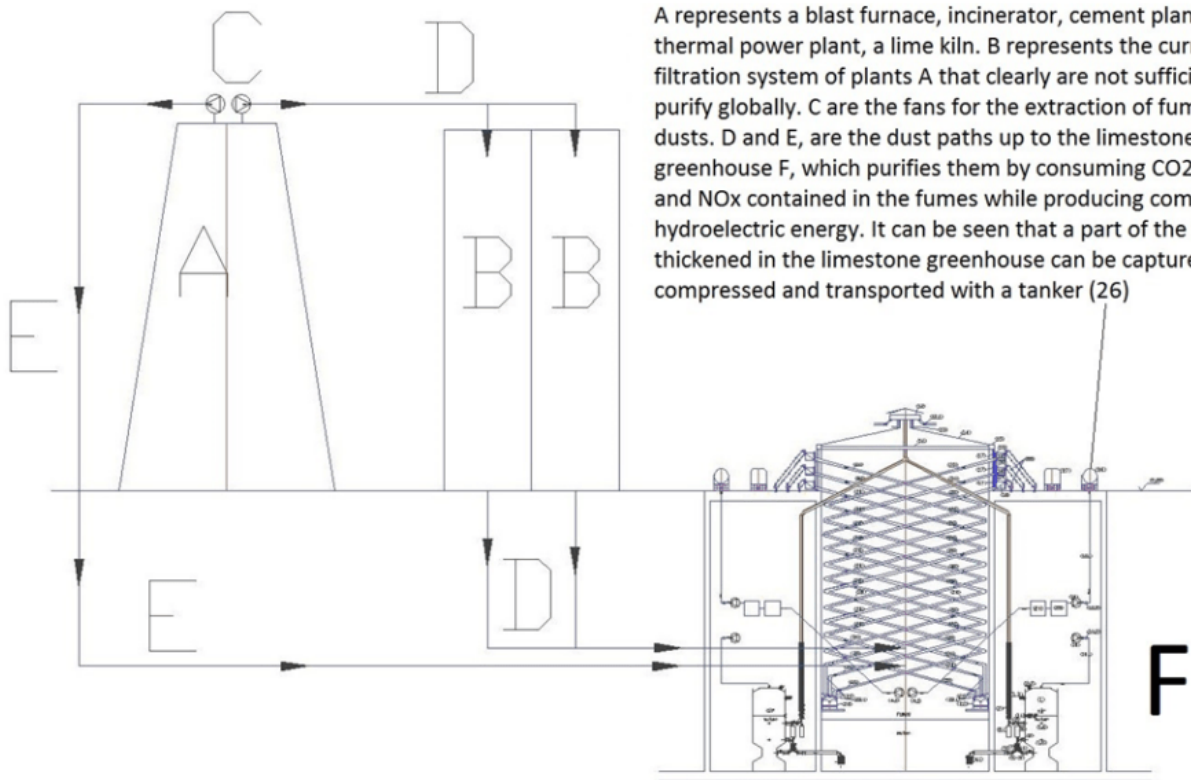
THE INTERACTIVE FOSSIL GLOBAL ENERGY DEAD IN THE BAND KILLED BY THE SILENCE OF THE ENVIRONMENTAL AUTHORITIES



WWW.SPAWHE.EU

This figure represents the fossil interactive energy that could be created by modifying the chimneys and the urban plants, described in the old initial page of <http://www.spawhe>. To economize this system is born the interactive compressed hydroelectric energy, which does not emits pollution and CO2 and can be mounted even on means of transport, which is described in the new home page of <http://www.spawhe>. These two models of universal development, sustainable and protective of the environment were developed by a Neapolitan inventor, but ignored both by the world environmental authorities. On the other hand, UNESCO has recognized Neapolitan pizza as a World Heritage. The Neapolitans can not have both awards.

MANY WORDS ON THE POLLUTION OF BLAST FURNACES AND INCINERATORS BUT NO PROPOSED SERIOUS ON THE COMPLETE DEPURATION



A represents a blast furnace, incinerator, cement plant, a large thermal power plant, a lime kiln. B represents the current filtration system of plants A that clearly are not sufficient to purify globally. C are the fans for the extraction of fumes and dusts. D and E, are the dust paths up to the limestone greenhouse F, which purifies them by consuming CO₂ the SO_x and NO_x contained in the fumes while producing compressed hydroelectric energy. It can be seen that a part of the fumes thickened in the limestone greenhouse can be captured, compressed and transported with a tanker (26)

The steel cycle, which can be produced or recycled only by melting, that of non-recyclable solid waste, which must necessarily be incinerated, the production of lime and cement are incomplete, like those of thermal power stations, but produce toxic emissions, powders and CO₂ in much greater quantities. Therefore, these systems, like thermal power plants, must be designed differently from the current ones. Even though today, more than sixty percent of the world steel is produced with electric ovens, and many waste is burned with the same system, which reduces toxic emissions, we can not say that electric ovens also reduce CO₂ emissions, being the primary source of electricity always due to fossil thermal power plants. In addition, even electric ovens for accelerated processes use fossil or biological fuels. Therefore, not only must the primary source of energy be changed, which must become hydro-electric compressed with water recycling. The current chimneys, both of the thermal power stations and of the melting furnaces and of the incinerators, must be eliminated, because no filtration in the world can neutralize the fossil or biological CO₂ that it is. In fact, if we want to lower the percentage of CO₂ in the environment we must also neutralize the biological one. In addition, even electric ovens, although in smaller quantities, produce toxic substances such as NO_x, SO_x, fine powders. The undersigned has already obtained international recognition of patents that eliminate the chimneys and replace them with small and large scale greenhouses, but these have not found lenders, especially public, therefore, also proposes those underground hydroelectric, which are simpler and cheaper from the point of view of the movement of calcareous material. These greenhouses will not only neutralize CO₂ in a sustainable way for the environment, they can also replace the existing large and small water purifiers of existing waters, which produce acidic waters, producing lower alkaline water costs, which counteract the acidification of oceans.

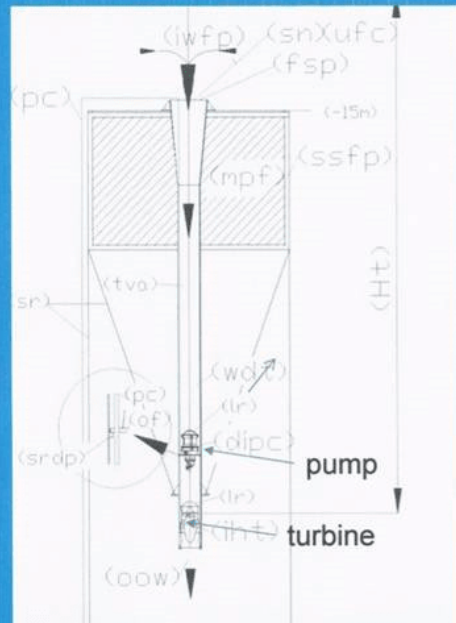
To carry out the same purifying and alkalinizing function, without any environmental impact, rivers, lakes and artificial basins can also be added, producing the same water that circulates all the electrical energy needed to power the ovens, incinerators and the neighboring cities.

SYNERGIC PLANT, ARTIFICIAL WELLING, HYDROELECTRIC ENERGY

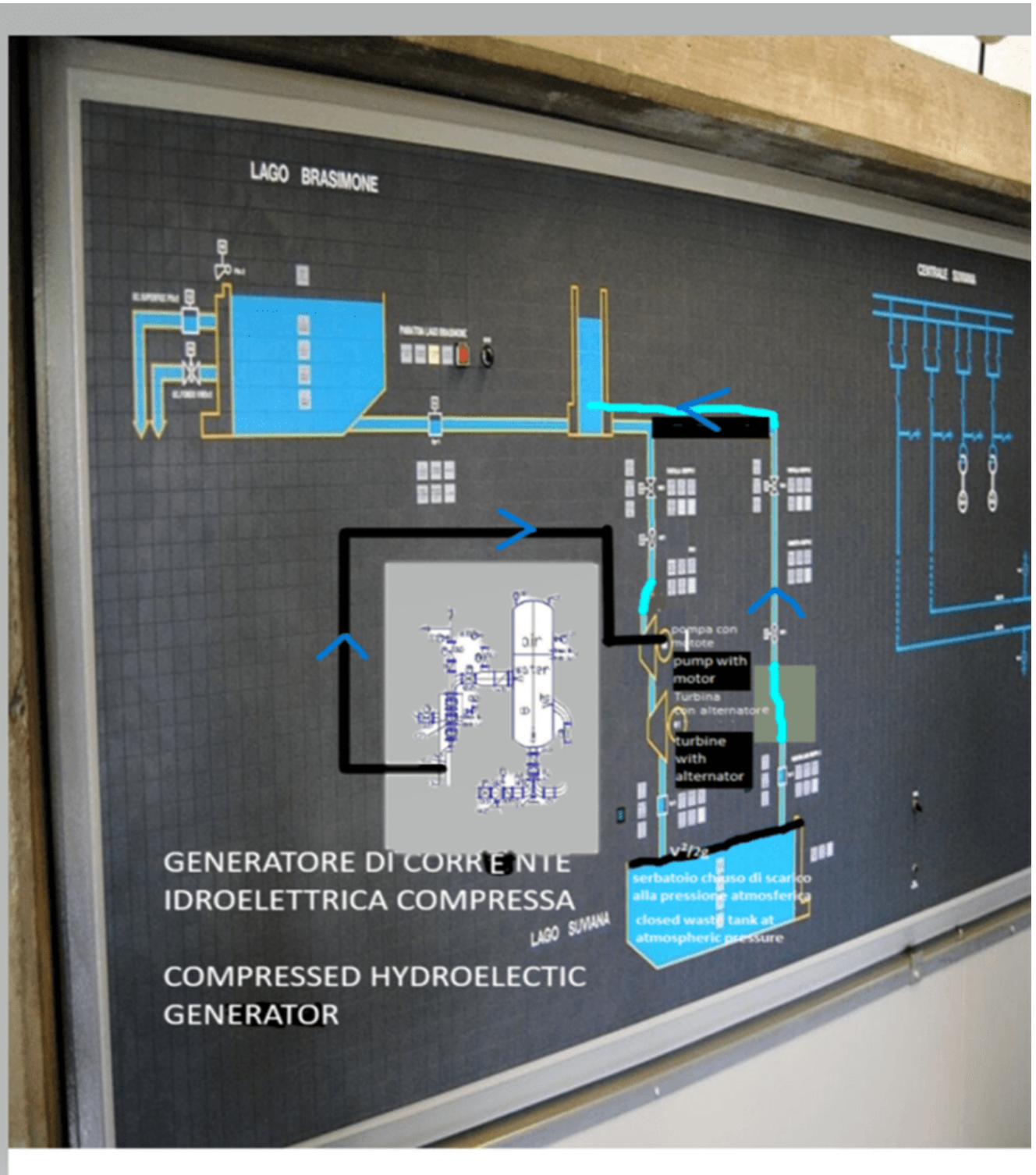
The submerged hydroelectric plants in the lake and sea, in addition to producing energy with lower cost, oxygenate the seabed and increase fish production. This energy exploits the energy position of surface water intubate ($m \cdot g \cdot h$) and the fact that at the turbine outlet have only the small pressure drop of the residual velocity ($v^2 / 2g$). I do not understand the reasons why the world prefers dirty energy such as fossil and others with very low yields such as solar and wind power from the point of view of the environment is at best neutral and it neglect the energy that would not only yields very higher, using the energy of position of surface water that turns into kinetic energy the whole mass of water ducted having even important environmental benefits.

WWW.SPAWHE.EU

Luigiantonio.pezone@gmail.com



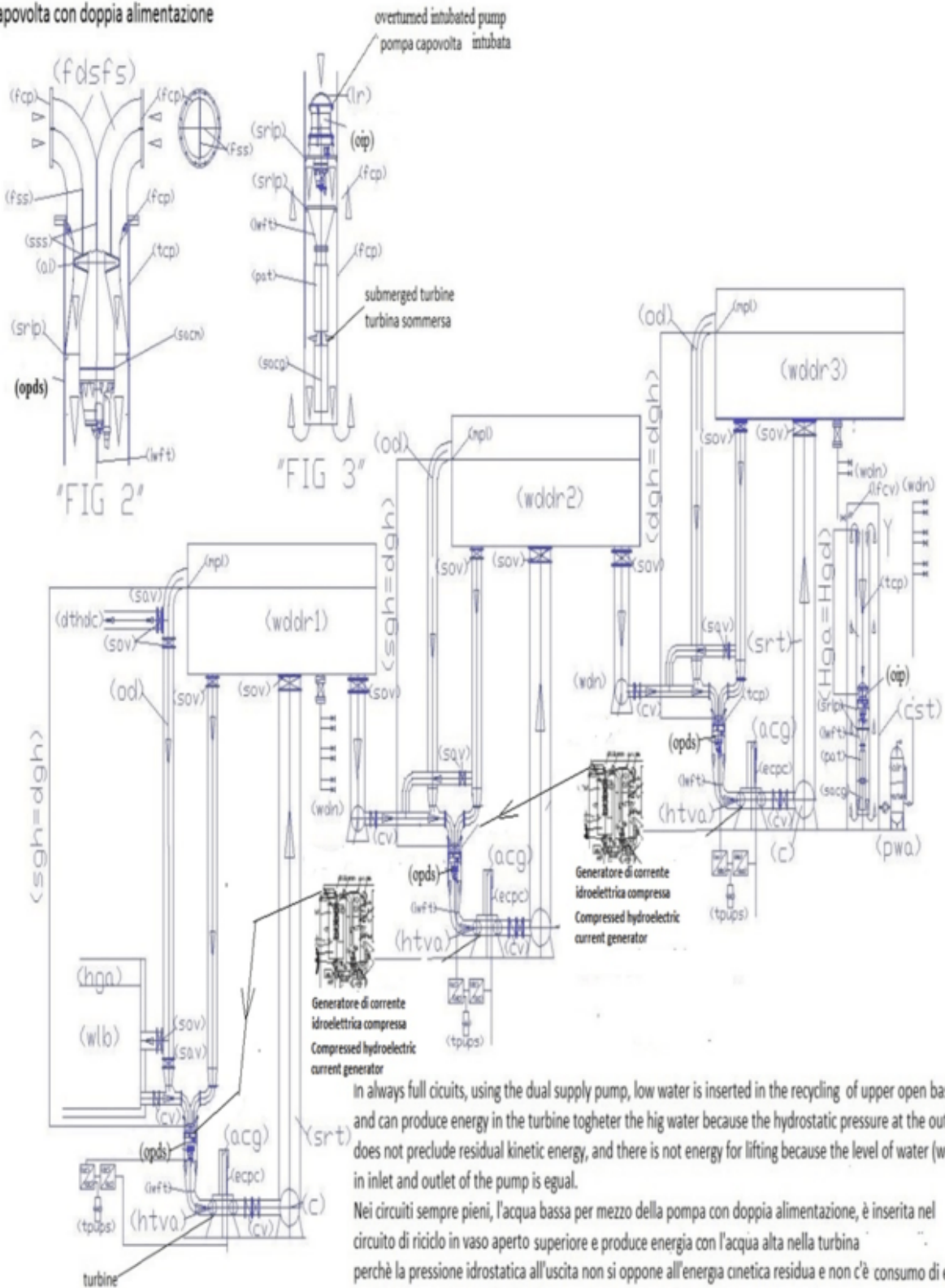
Submerged hydroelectric energy with seabed oxidation



The figure above indicates the way to transform a hydroelectric plant with the hydraulic jump into a submerged hydroelectric plant without the hydraulic jump reinforced with compressed hydroelectric energy extracted directly from the terrestrial environment according to the following articles already published.

overturned pump with dual supply (opds)

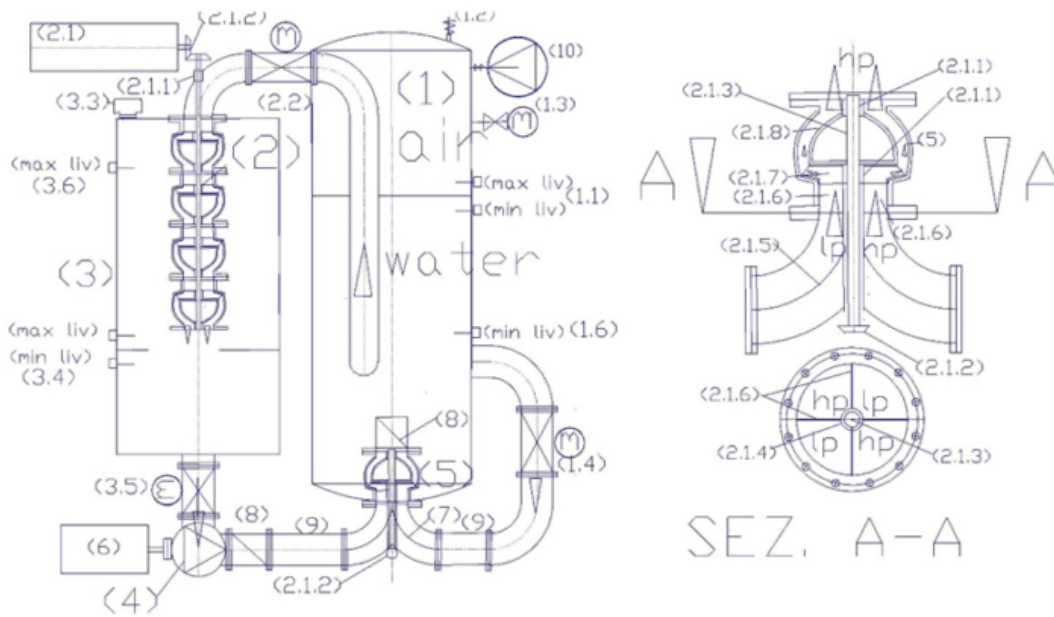
pompa capovolta con doppia alimentazione



Sistema di sollevamento idroelettrico a gradini sommerso rinforzato con sistema idroelettrico compresso

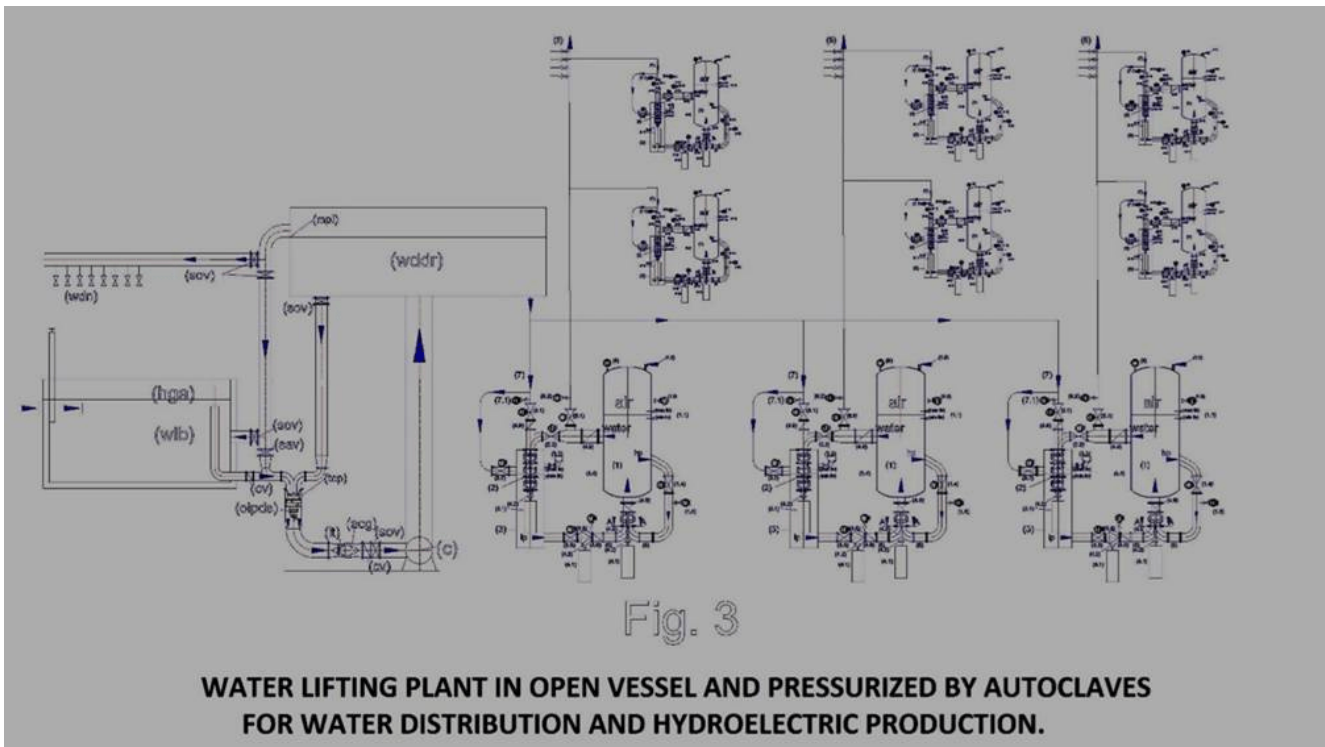
Reinforced submerged stepped hydroelectric lift system with compressed hydroelectric system

<http://www.spawhe.eu/the-energetic-miracles-of-pumps-with-separated-double-supply-until-to-the-impeller/>

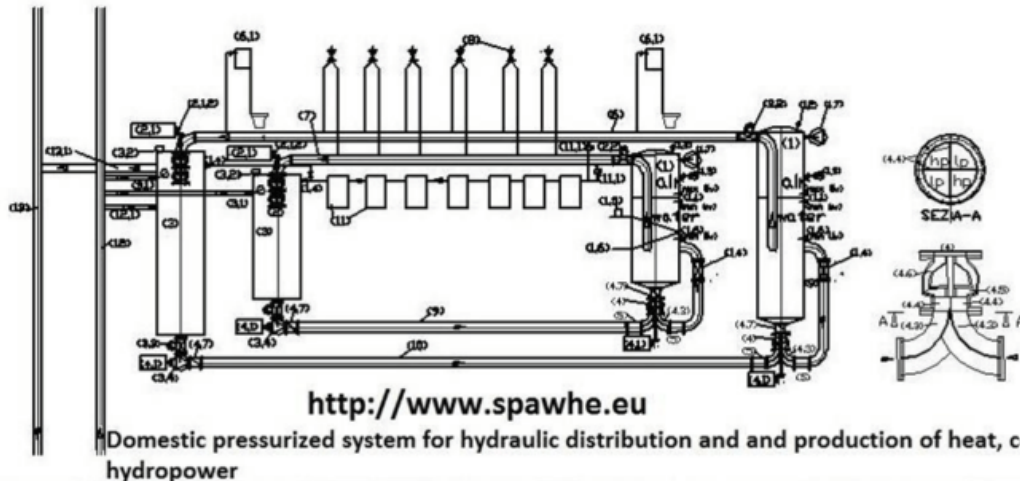


PRESSURISED RECIRCULATING HYDROELECTRIC GENERATOR FOR INDEPENDENT MOTORIZATION WITHOUT FUELS OF AUTO, TRUCKS, BUS, TRAINS, SHIPS, AIRCRAFT.

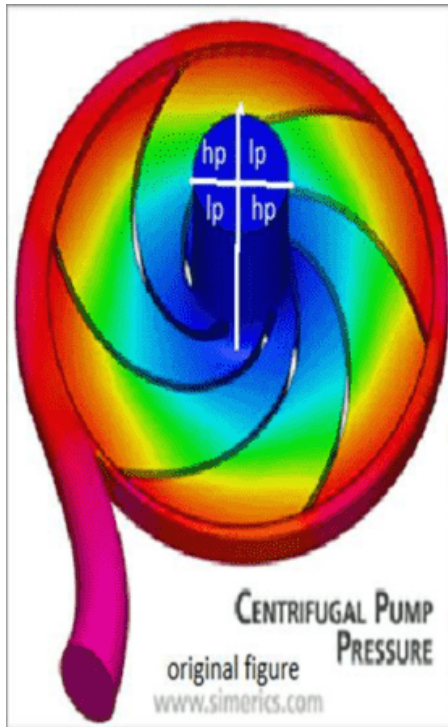
Legend : (1) autoclave pressurized tank; (1.1) level regulator with capacitive probes; (1.2) safety valve; (1.3) manometer with shut-off valve; (1.4) motorized valve flow control with position transmitter; (1.5) pressure or flow transmitter; (1.6) minimum level probe in the start system; (2) pump used as a turbine (pat); (2.1) alternating current generator; (2.1.1) bushing with sealing ring; (2.1.2) angle diverter with conical gears; (2.1.3) transmission shaft; (2.1.4) transmission shaft protection tube (2.1.5) double curve with septa crossed separators in low pressure (LP) and high pressure (hp); (2.1.6) septa separators of flow; (2.1.7) closed type; (2.1.8) Diffuser of the pump; (2.2) motorized valve to supply turbine with flow adjustment; (3) water transit tank at atmospheric pressure and containment pat; (3.1) motorized valve to feed pressurized water network; (3.2) motorized valve bypass supply at low pressure; (3.3) air valves; (3.4) Water level control with capacitance probes; (3.5) motorized valve for water supply at low pressure; (3.6) maximum level probe in the start system; (4) electric pump to supply in low pressure (5) electric pump with double separate supply until the impeller; (6) pump drive motor, with variable speed, controlled by an inverter; (8) check valve. (9) flow diverter stub pipe; (10) electrocompressor;



This diagram simultaneously represents the water and energy distribution of the future without any of the current energies. In fact, where water arrives, energy also arrives because the other indispensable elements are atmospheric air and gravitational force. The rest is technology, fluid dynamics, electromagnetism, electrical engineering, electronics, mechanics at room temperature, without producing CO₂, steam and pollution, because the water purifies itself at each passage through the autoclave and this also applies to mobile systems.



I think it can all become energy producers, abolishing the bills to pay not only for the electricity but also for heating, because in the condominiums and apartments we can produce all the energy whom serves with hydropower pressurized which can produce energy and exchange heat with the ground even at the poles, the Arctic and Antarctic, where there are the famous polar night that lasts six months with conditions weather prohibitive. Probably, it has arrived the perfect energy, only with the impartial reasoning of those who are not tied to any economic power and has no money for the trials. But using rational systems already tested by nature, which only required the expertise to industrialization with modern technologies, since the current energies, do not use synergies. They are all incomplete and in competition with each other. Let's start with the most common one: The fossil energy has not solved the problem of CO2 emissions. Nuclear energy has not solved the problem of waste disposal. Organic farming is confined solely to emit organic CO2 instead of the fossil. The photo voltaic energy and wind power, are bulky, low performance, discontinuous and require materials that are already running low for the construction and energy storage. Hydropower has not solved the problem of water recycling, it requires great works, with large investments. In many cases creates more harm than good: torrential rains, finding water basins already full, produce floods. Today there is responsibility of all states on the current environmental degradation sovereign. Even the United Nations, which in 2001 produced a document called "Coding Project on the responsibility of states for internationally unlawful acts" signed by almost all sovereign states, are not free from crimes of omission. The joints of responsibility of global public officials, for myself, have created and create more damage of the eco-mafia. Which they may be identified and convicted, while the half scientific and technological truths, half-cleansings, half energies is difficult to locate them. You can unmask only with the most complete alternative projects. But who has the power to develop more comprehensive plans of governments and multinationals? Myself as a designer and inventor could only put on paper how, in his view, should generally be designed plants that should never be only purifying and never just energy. Politics, economics, philosophy alternatives are important, but do not prove anything. All problems, even those social resolve with the transparency of studying, which must be complete, leaving no pending cycles, especially public ones, should be the guide and example for private studying. Why the public and private powerful continue to fund, develop technologically advanced solutions, but still incomplete, and lacking of a global logic in all sectors? The industrial Taylorism taught to the undersigned in many years of work that a great series product can be produced in many different ways, but only one is the best: One that use better the industrial organization and the maximum automation. When I tired of the big industry has moved to work in the environmental sector. I have noticed that the environmental and energy Taylorism was never born. Therefore, things are not done in the best way, but worse. If it was born, It would change everything, how did SPAWHE, unfortunately, only virtually, being only the web site of a pensioner with no money. He would still taught the industrial Taylorism that the internal combustion engine on transportation could not be mounted, not being able to close the carbon cycle according to the rules required by the nature. There would be an exchange of positive experiences between industry and the environment, instead of the current exchange code of silence to hide their mistakes. You can find the new way to produce low-cost and cleanly electric power, heat and cold in the apartments and condominiums in all seasons and all hours and in every place of earth on <http://www.spawhe.eu/pressurized-domestic-hydraulic-energy-system/>. For a long time I seek public and private partners to achieve together this great adventure.



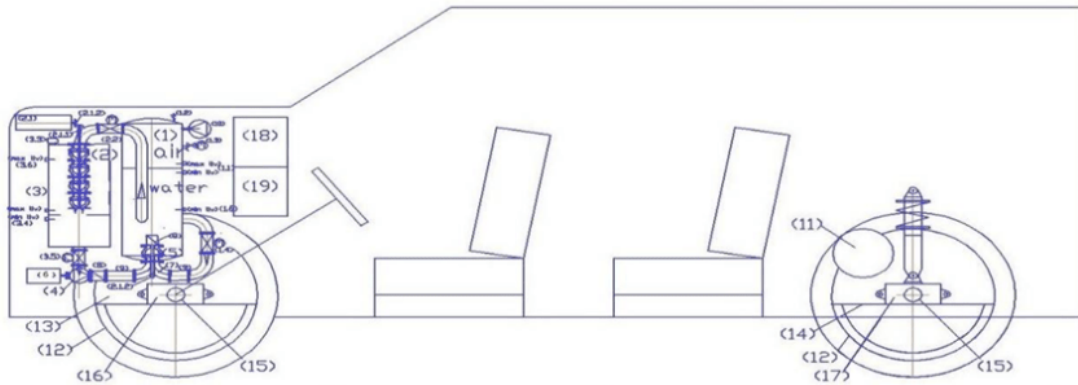
hp = high pressure = alta pressione
 lp = low pressure = bassa pressione

<http://www.spawhe.eu/relativity-and-technology-in-the-new-hydroelectric-energy/>

In the pumps, the centrifugal force, having radial direction, creates a depression capable of attracting the liquid intubated, external to the pump. The low pressure area is at the center of the impeller, is called "eye of the pump" is colored in blue on the attached drawing and corresponds to the input of water into the impeller. In the green zone begins the pressurization of the liquid, which is completed in the red zone. It 'clear that if we feed a pump with two flow rates equal but different geodetic heights, we have a considerable energy saving because it is the water from the upper reservoir, which can be recycled, to raise the water from the lower basin, by means of mixing water and the expansion of the greater pressure that happens in green and red area. Obviously, with this solution, they do not serve multistage pumps and motors of great power, but single-stage pumps with double flow and small power engines, dimensioned for water recycling, and not for lifting. If we divide the two flow rates in four areas, arranged diagonally, also we balance the forces on the bearings. Each sector is always powered with the same water, but the rotation of the impeller allows the flow sequence on the same blade so that the one with greater hydrostatic pressure to push the one with lower pressure. In essence, it is what happens in multistage pumps but with lower costs in the construction of pumps, motors and absorbed powers. But the dual supply pumps, coupled to the turbines also allow the production of energy with the recycling and the water lifting. However, it seems that the pumps with dual power does not affect the authority of the environment, the pump manufacturers and investors in general. They find not investors.

Nelle pompe, la forza centrifuga, avente direzione radiale, crea una depressione capace di richiamare il liquido intubato, esterno alla pompa. La zona di depressione è al centro della girante, è chiamata "occhio della pompa" è colorata in blu sul disegno allegato e corrisponde all'ingresso dell'acqua nella girante. Nella zona verde inizia la pressurizzazione del liquido, che si completa nella zona rossa. E' evidente che se alimentiamo una pompa con due portate uguali ma battenti diversi, abbiamo un notevole risparmio energetico perché è l'acqua del bacino superiore, che può essere a riciclo, a sollevare l'acqua del bacino inferiore, per mezzo della miscelazione dell'acqua e l'espansione della pressione maggiore che avviene nella zona verde e rossa. Ovviamente, con questa soluzione, non servono pompe multistadio e motori di grande potenza, ma pompe monostadio con portate doppie e motori di piccola potenza, dimensionati per il riciclo dell'acqua, non per il sollevamento. Se dividiamo le due portate in quattro settori, disposti in diagonale, equilibriamo anche le spinte sui cuscinetti. Ogni settore è alimentato sempre con la stessa acqua, ma la rotazione della girante consente la successione dei flussi sulla stessa pala in modo che quello con maggiore pressione idrostatica spinga quello con minore pressione. Nella sostanza, è quello che avviene nelle pompe multistadio ma con minori costi nella costruzione delle pompe, dei motori e delle potenze assorbite. Ma le pompe con doppia alimentazione, abbinata alle turbine consentono anche la produzione di energia con il riciclo e il sollevamento delle acque. Tuttavia, sembra che le pompe con la doppia alimentazione non interessino le autorità dell'ambiente, i costruttori di pompe e gli investitori in generale. Esse non trovano investitori.

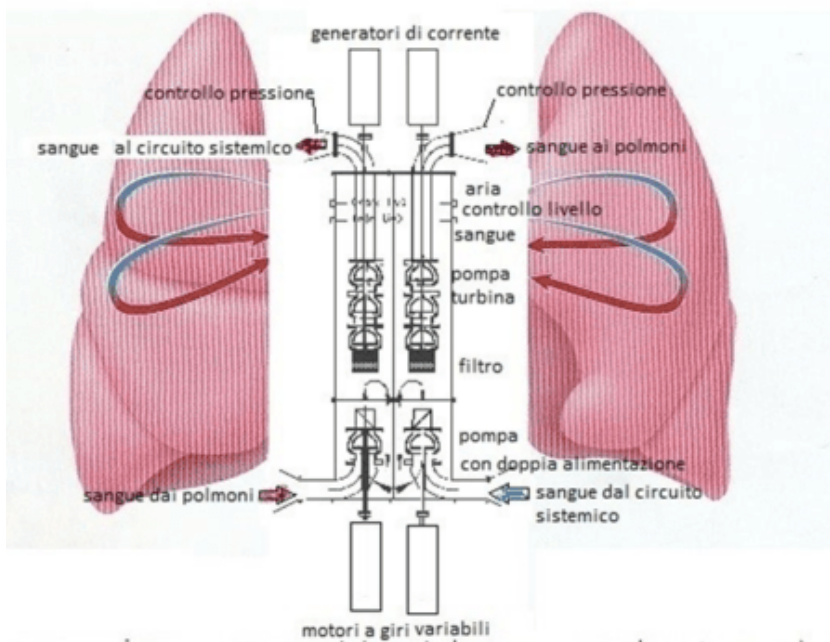
CAR WITH HYDRO POWER ENGINE



<http://www.spawhe.eu/hydroelectric-power-auto-with-torque-peripheral-to-the-wheels-novit%C3%A0/>

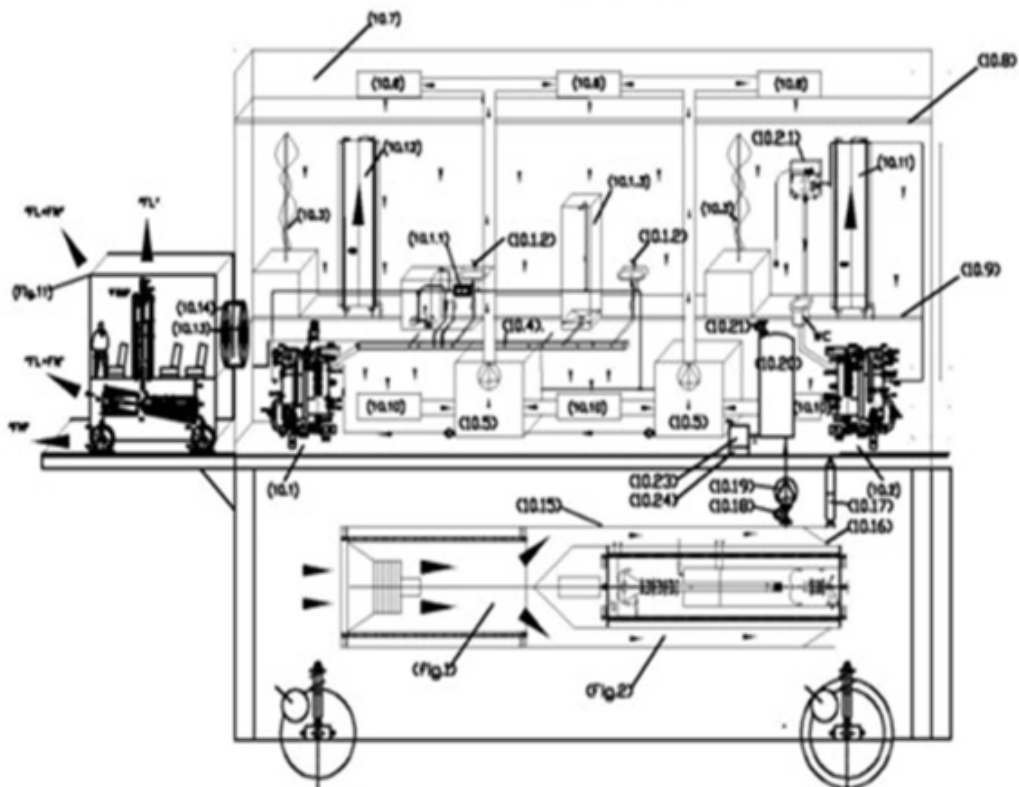
Legend: (1) autoclave pressurized tank; (1.1) level regulator with capacitive probes; (1.2) safety valve; (1.3) manometer with shut-off valve; (1.4) motorized valve flow control with position transmitter; (1.5) pressure or flow transmitter; (1.6) minimum level probe in the start system; (2) pump used as a turbine (pat); (2.1) alternating current generator; (2.1.1) bushing with sealing ring; (2.1.2) angle diverter with conical gears; (2.1.3) transmission shaft; (2.1.4) transmission shaft protection tube (2.1.5) double curve with septa crossed separators in low pressure (LP) and high pressure (hp); (2.1.6) septa separators of flow; (2.1.7) closed type; (2.1.8) Diffuser of the pump; (2.2) motorized valve to supply turbine with flow adjustment; (3) water transit tank at atmospheric pressure and containment pat; (3.1) motorized valve to feed pressurized water network; (3.2) motorized valve bypass supply at low pressure; (3.3) air valves; (3.4) Water level control with capacitance probes; (3.5) motorized valve for water supply at low pressure; (3.6) maximum level probe in the start system; (4) electric pump to supply in low pressure (5) electric pump with double separate supply until the impeller; (6) pump drive motor, with variable speed, controlled by an inverter; (7) double curve with septa crossed separators in low pressure (LP) and high pressure (hp); (7.1) septa to flow separators; (8) check valve. (9) flow diverter stub pipe; (10) electrocompressor; (11) self braking engine with variable revs (11.1) sprocket gears; (12) wheel rim; 12.1 ring gear; (13) motorization support of front wheel; (14) motorization support of rear wheel; (15) stationary shaft; (15.1) bearing; (15.2) wheel rim mounting flange; 15.3 brake disc; (16) front Axle; (17) rear axle; (18) electric command and control panel; (19) heat pump for summer and winter air conditioning.

CUORE ARTIFICIALE OSSIGENATORE DEL SANGUE AUTONOMO ENERGETICAMENTE



Il cuore artificiale dell'uomo, proposto in questo deposito di brevetto, chiude il cerchio dell'energia sostenibile basata sull'unico principio fisico possibile in ogni remoto angolo della Terra: l'aggiramento della forza di gravità e della pressione elastica dell'aria che si può realizzare dappertutto, perfino nel torace dell'uomo, utilizzando le pompe con la doppia alimentazione separata fino alla girante, che la scienza, gli industriali e i legislatori mondiali fingono di ignorare per non ammettere di aver sbagliato l'intero sviluppo industriale ed economico. Tutto sarebbe stato più semplice, pulito ed economico, se questa invenzione fosse avvenuta cento anni prima, come poteva avvenire. Il cuore artificiale umano è la versione miniaturizzata del sistema autoclave, già rimpiccolito, per farlo entrare nelle camicie dei pozzi, per depurare l'acqua producendo energia. Entrare nella cassa toracica dell'uomo per depurare il sangue producendo l'energia che serve al cervello non è molto diverso di quanto previsto per i pozzi. Servono due mini impianti autoclave paralleli che sostituiscono gli atri e i ventricoli destri e sinistri. Le due pompe che li alimentano, con la doppia alimentazione separata fino alla girante, consentendo l'equilibrio della spinta idrostatica in aspirazione e mandata, consentono di far entrare il sangue proveniente dalla circolazione sistemica nella mini autoclave di destra e quello proveniente dai polmoni in quella di sinistra, aggirando la pressione dell'aria compressa. Questo sistema funziona autonomamente poiché la mini autoclave espelle nello stesso istante la quantità di sangue uguale a quella che entra, per il principio dell'impenetrabilità dei corpi, attraverso un mini pompa usata come turbina collegata con un generatore di corrente continua. L'energia spesa dal motore della pompa è circa un decimo dell'energia prodotta dal generator. Questo ci consente di avere a disposizione l'energia sufficiente per produrre la quantità di aria compressa necessaria all'autoclave e la gestione di una centralina elettronica che con un comando vocale di tre parole: "riposo, normale, veloce" gestisce la portata e la pressione del sangue secondo l'attività fisica che svolge. Sebbene sia la pressione dell'aria che fa circolare il sangue nella pompa usata come turbina, poiché la circolazione è a senso unico, a parte l'aria solubilizzata nel sangue con effetti depurativi, non c'è altro consumo di aria compressa e di energia elettrica. Come pubblicato su <http://www.spawhe.eu>, questa soluzione è stata trovata dal sottoscritto dopo moltissimi anni trascorsi a cercare di migliorare i sistemi depurativi dell'acqua e dell'aria e molti brevetti depositati inutilmente. Però lo studio è servito ad accertare che la scienza mondiale ha individuato singoli e incompleti principi scientifici, che usati singolarmente hanno inquinato e riscaldato il pianeta. Solo con l'invenzione delle pompe con la doppia alimentazione separata fino alla girante, il sottoscritto ha trovato il bandolo della matassa. Infatti, tramite essa, la fluido dinamica usata a freddo tra l'acqua e l'aria, soprattutto compressa, avrebbe prodotto energia proteggendo l'ambiente, consumando soltanto una moderata usura dei materiali, con basse temperature di esercizio, e pressioni dell'aria usate staticamente, che avrebbero fatto circolare il liquido incompressibile. Questo è il vero principio dell'energia terrestre che, purtroppo, non è stato legiferato dalla scienza mondiale, che tuttora lo ignora, sperando che oltre al sottoscritto nessuno se ne accorga. Troppo tardi. Avrebbero dovuto ammettere i propri errori, prima che questa energia, nonostante i loro silenzi, entrasse anche nel cuore umano, dove, non solo potrà allungare la vita dell'uomo di moltissimi anni. Ma quando gli altri organi saranno troppo vecchi, il sistema cervello e cuore artificiale. Potrà anche essere trasferito in un corpo artificiale, che oggi chiamiamo robot, ma governato dal cervello umano e dalle conoscenze accumulate durante l'intera vita che continueranno a crescere anche dopo la morte del corpo. La realtà potrà superare la fantasia perché in nessun film di fantascienza è stata ipotizzata questa forma di sopravvivenza umana. Se esiste l'anima dell'uomo è contenuta nel cervello e nelle sue coscienze. Non sarà umiliante per nessuno sopravvivere grazie a un cuore artificiale, alla cibernetica, e a qualche scioppo appositamente studiato dai nutrizionisti da solubilizzare nelle piccole autoclave che sostituiranno gli atri ventricolari. Quando saremo pronti a fare questo. Saremo pronti anche a conquistare lo spazio infinito. Non prima. Con la nostra brevissima vita attuale, non possiamo andare molto lontano. (<http://www.spawhe.eu/cuore-artificiale-ossigenatore-del-sangue-autonomo-energeticamente/>).

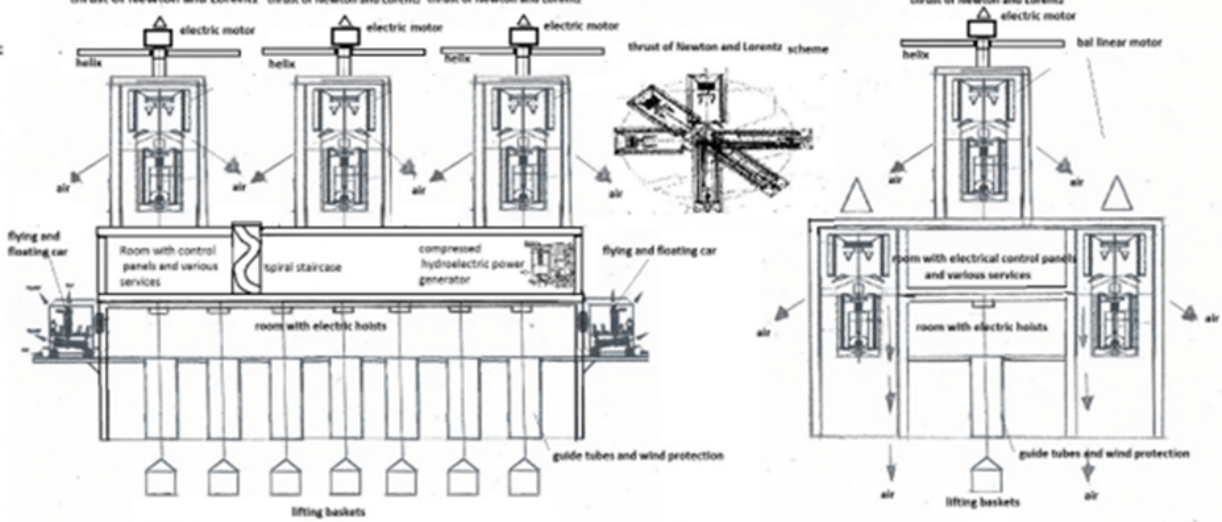
SPACE CONTAINERS WITH GLOBAL LINEAR MOTORS, INTERSTELLAR DUST CAPTURE SYSTEM AND INTERNAL SURVIVAL SYSTEMS. <https://www.spawhe.eu>



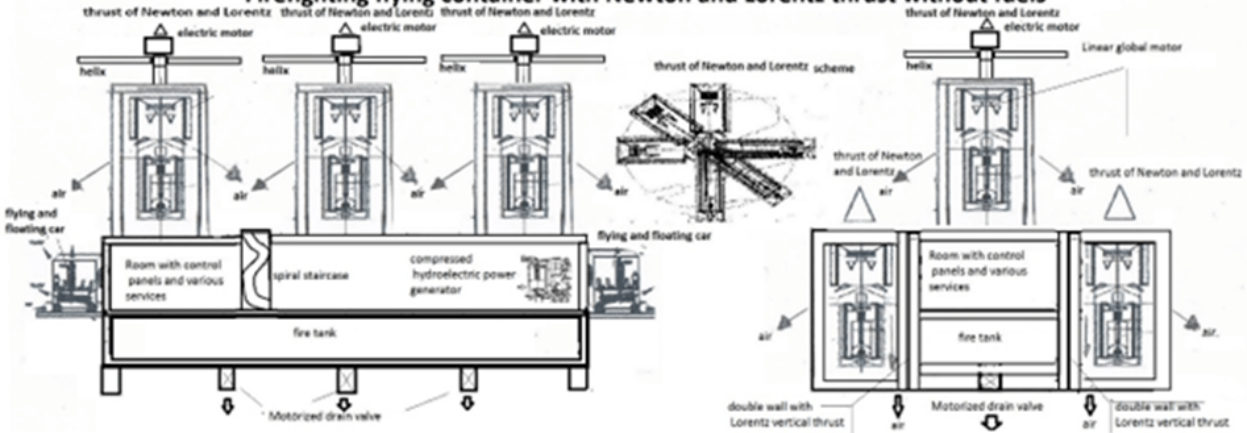
"FIG.10"

(10.1) domestic water purification plant; (10.1.1) ultraviolet disinfection system; (10.1.2) drinking water withdrawal point; (10.1.3) shower; (10.2) toilet waste water treatment plant; (10.2.1) toilet drain pan; (10.3) hydroponic cultivation; (10.4) waste water collection channel; (10.5) purification, humidification and air recycling system; (10.6) electrostatically polarized air inlet vents into the environment; (10.7) ceiling air distribution plenum; (10.8) regenerable filter ceiling in steel straw; (10.9) gridded floor with air passage; (10.10) electrostatically polarized air intake vents; (10.11) water reserve tank with external solenoid and vertical circulation of permanent magnets to produce Lorentz thrust; (10.12) compressed air reserve tank with external solenoid and vertical circulation of permanent magnets to produce Lorentz thrust; (10.13) Airtight passage porthole; (10.14) electromagnetic flexible metal bellows with external vacuum-tight gasket; (10.15) external connection steel tunnel between the electric turbofan fig1 and the compressed hydroelectric primary energy production plant of fig.2; (10.16) truncated conical sector closure of the interstellar dust collection tunnel by means of a steel rope which runs in rings external to the closing cone; (10.17) electric actuator for activating dust collection closure; (10.18) shut-off solenoid valve; (10.19) electric vacuum pump; (10.20) high vacuum dust collection tank; (10.21) air inlet solenoid valve at atmospheric pressure; (10.22) solenoid valve for interstellar dust output; (10.23) electrostatic filter; (10.24) removable container for interstellar dust; (Fig. 11) interstellar local displacement vehicle.

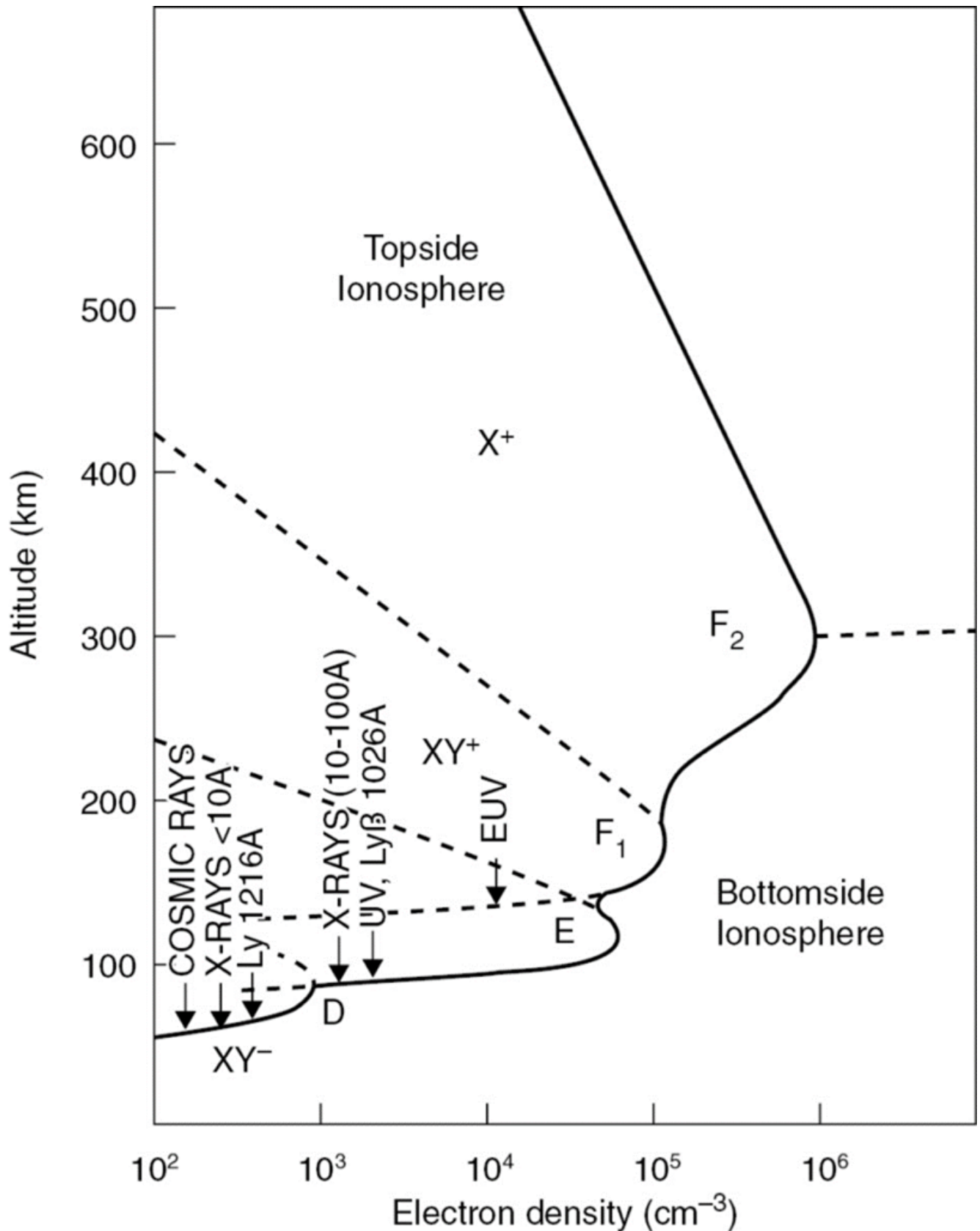
Flying container for the rescue of migrants with Newton and Lorentz thrust without fuel



Firefighting flying container with Newton and Lorentz thrust without fuels



Current air transport with fuels and thermal energy is an immense source of pollution and waste of economic resources and not allowing to add together the thrust of Newton and Lorentz due to the heat, which would destroy the electrical coils that allow the thrust and the regulation of the electromagnetic force, it has not been possible to stop in a stable way in the atmosphere with large tanks of water to put out fires; not even save shipwrecked people from above with stormy seas; not even experiment with the possibility of triggering rains in the desert areas of the earth, transporting wagons of water in the ionosphere area, as shown in the drawing below. transporting wagons of ater in the ionosphere area, as shown in the drawing below.



This graph developed by British geophysical scientist Sydney Chapman (1888 – 1970) links ion density (on the abscissa) and altitude (on the ordinate). The areas of the atmosphere in which the various wavelengths of the electromagnetic spectrum are absorbed are also mentioned. Source: University of

Cambridge.

As you can see, the peak of the curve is located about 300 km from the surface of the earth. In this area, monostatic disturbances mainly arise which produce lightning and consequently also natural rainfall. If we, with the cold production of terrestrial energy, eliminate the current excesses of CO vapor and high voltage electrostatic networks that disturb the natural terrestrial system, with the cold transport system and the joint thrust of Newton and Lorentz, we could send the water we know is already ionized, directly in the F2 zone indicated above in the areas where we desire rainfall. Probably, we will also be able to fertilize the deserts, reducing the atmospheric phenomena that are destroying the planet due to the bad energy and environmental designs of earth science.

Luigi Antonio Pezone